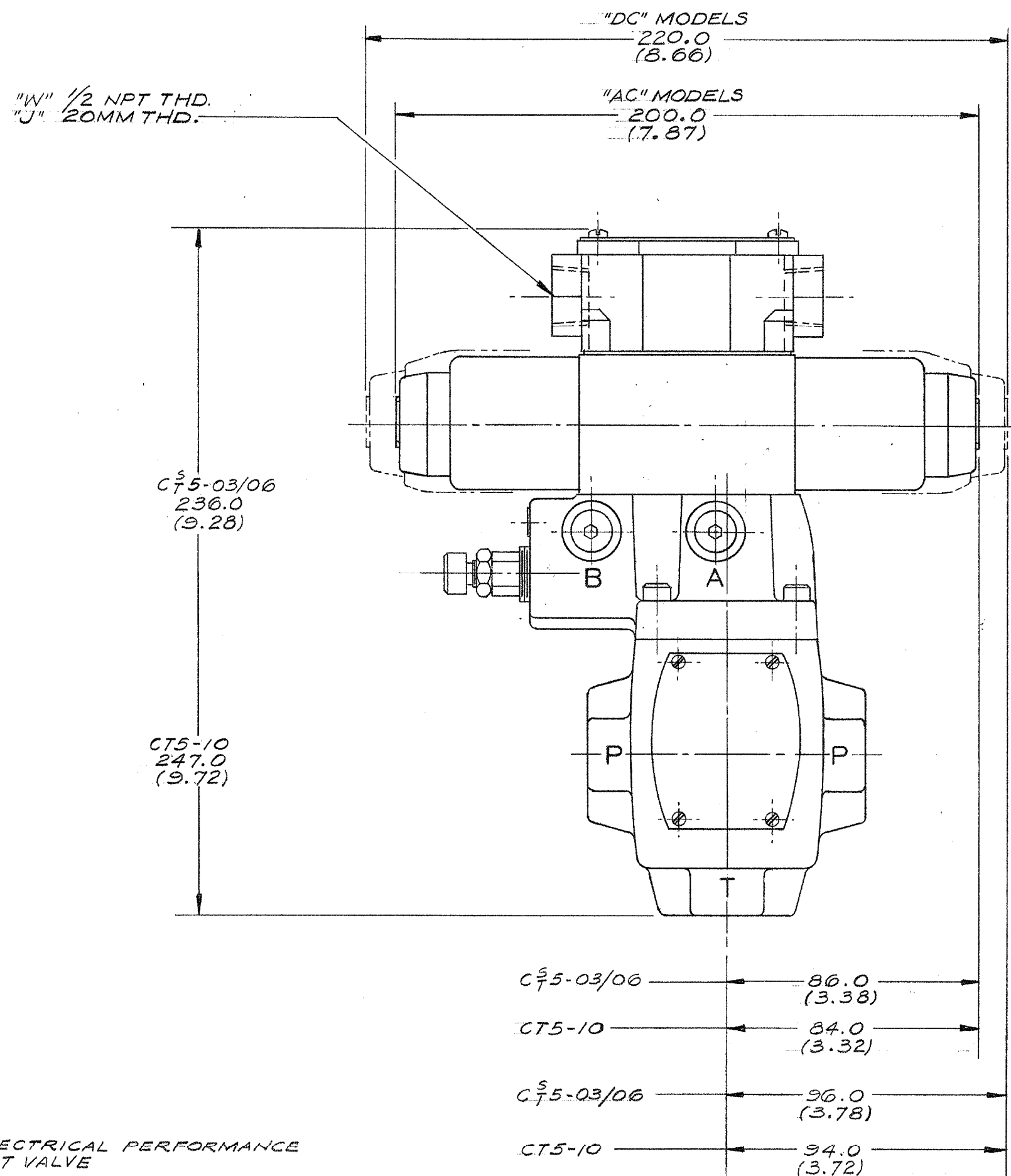


REVISIONS				
SYM	ZONE	DESCRIPTION	DATE	APPROVED
A	2A	41357 REMOVED SWITCH MODEL FROM AND ADDED HAZARDOUS DUTY TO TANK PRESSURE RATING	30MAY02 CWB	DJD SJSJ02
B		REPLACED "VICKERS" WITH "DANFOSS"	04MAY23	DG 04MAY23



MAXIMUM TANK LINE PRESSURE:  
 STD. MODELS ----- 100 bar (1450 PSI)  
 (A) HAZARDOUS DUTY (X\*) ----- 70 bar (1000 PSI)

02-126429

METRIC  
(INCH)

REFER TO CATALOG FOR ELECTRICAL PERFORMANCE SPECIFICATIONS OF PILOT VALVE  
 REFER TO DWG. J-681242 FOR RELIEF VALVE INSTALLATION DIMENSIONS  
 REFER TO DWG. E-508190 FOR ADDITIONAL -60 DESIGN DG4V-35 PILOT VALVE DIMENSIONS

G.T. CODE NO.	THIRD ANGLE PROJECTION	MODEL	SA/AES
UNLESS OTHERWISE SPECIFIED INTERPRET PER VS 1-3-3-1 ANGULAR DIMENSIONS ±2° SURFACE ROUGHNESS 3.2µm 125µin. TOLERANCE ON DECIMALS 1 PLACE 2 PLACE 3 PLACE		CT5-(H) 00 XX-X(V)-XX-XXX-100 SERIES	AEL 5-02
mm ±0.8 ±0.25 —	MATERIAL	DWN. W. HARRIS 4 SEP 90	 TITLE INSTALLATION DWG. 3/8", 3/4" AND 1/4" SOLENOID CONTROLLED RELIEF VALVE (THREADED CONNECTIONS) WITH -60 DES. DG4V-35 PILOT
INCH — ±0.03 ±0.10	HEAT TREATMENT	CHK. S. DEVAN 12 SEP 90	
REMOVE BURRS BREAK EDGES 0.25mm .010 in. MAX.	COATING/PLATING	MFG. REV.	
ALL TECHNICAL DATA DISCLOSED HEREIN IS THE PROPERTY OF DANFOSS INCORPORATED AND SHALL NOT BE USED BY OTHERS FOR MANUFACTURE, PROCUREMENT, OR DISCLOSURE WITHOUT THE WRITTEN PERMISSION OF THE OWNER.		R. T.O.	
		L. PROTO.	
		E. PROD. W. 12 SEP 90	SIZE
		ENGRG. APPVL.	FSCM NO.
			DRAWING NO.
			02-126429
			SCALE // WT. ACTL SHEET / OF /