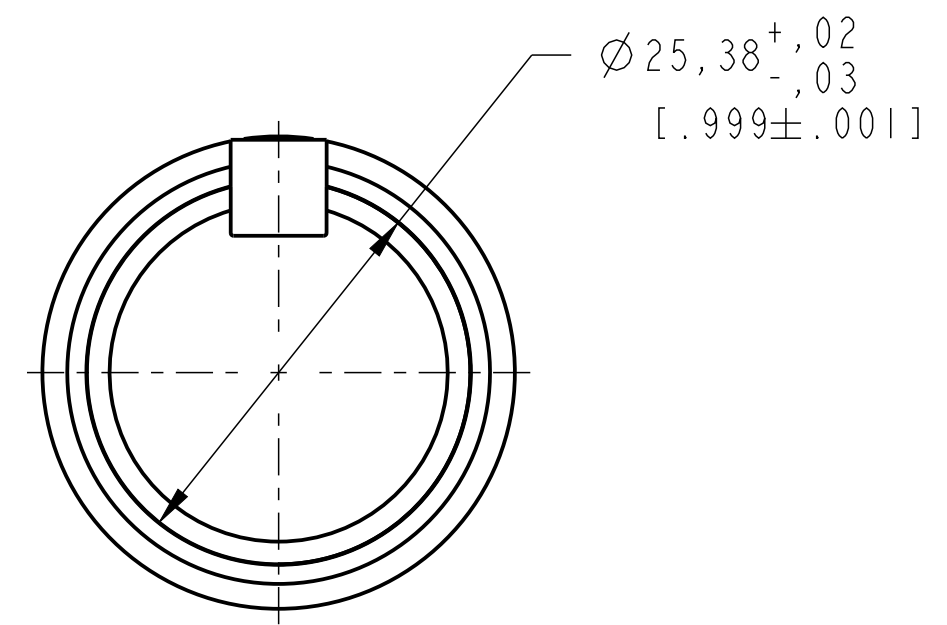
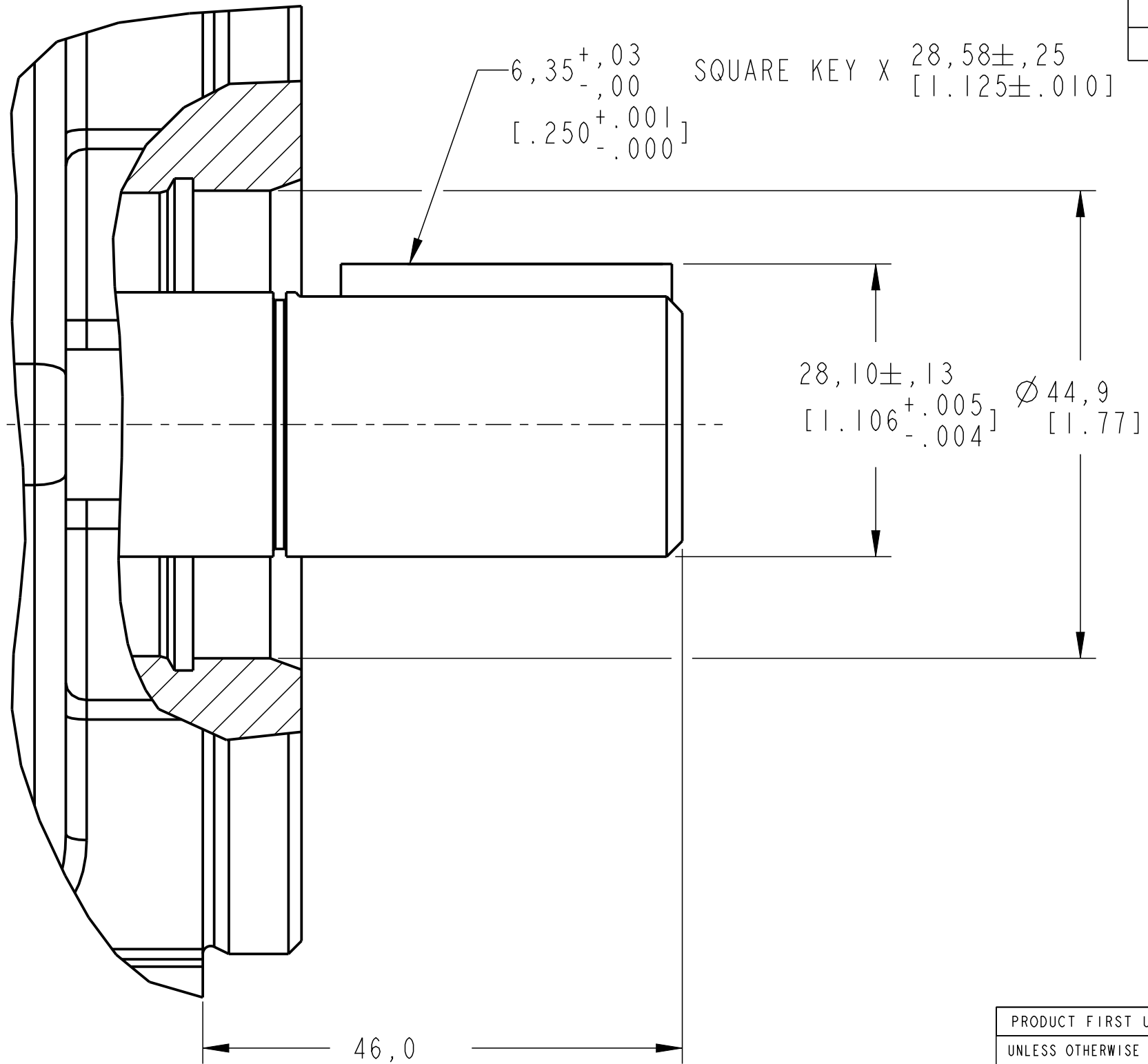


REV	DESCRIPTION	BY	CHK	DATE	CO
A	ENGINEERING RELEASE	JLW	JGS	09/21/00	36517
B	UPDATED DRAWING TEMPLATE AS PER DANFOSS STANDARDS	TTM	PAK	09/20/22	PAIKHKVYUO_11



- NOTE
- 1 ALL DIMENSIONS ARE NOMINAL UNLESS OTHERWISE SPECIFIED
 - 2 MAX INPUT TORQUE NOT TO EXCEED 215 Nm (1900 LBS.)
 - 3 STRAIGHT KEYED SHAFT OPTION COMPATIBLE WITH SAE-J744 SPECIFICATION

DRAWN BY/DATE	JLW	10/31/00
CHECKED BY/DATE	JGS	03/02/01
ENGRG BY/DATE	JI	03/02/01
MFG BY/DATE	----	----

PRODUCT FIRST USED ON : PVM PUMP		UNLESS OTHERWISE SPECIFIED		<input checked="" type="checkbox"/> LEGACY VICKERS ITEM INTERPRET PER VS 1-3-3-1		DRAWN BY/DATE		JLW		10/31/00	
METRIC <input checked="" type="checkbox"/> INCHES <input type="checkbox"/>		LAB OFFICE		CHANGE ID		REV ITEMS		STATUS/DATE (DD/MM/YY)		RAW MATERIAL SPECIFICATION	
TOLERANCES		----		PAIKHKVYUO.11		B		ENG RELEASE 09/20/22		----	
.X ± 0.8 ± ---		THE REPRODUCTION, DISTRIBUTION AND UTILIZATION OF THIS DOCUMENT AS WELL AS THE COMMUNICATION OF ITS CONTENTS TO OTHER WITHOUT EXPLICIT AUTHORIZATION IS PROHIBITED. OFFENDERS WILL BE HELD LIABLE FOR THE PAYMENT OF DAMAGES. ALL RIGHT RESERVED IN THE EVENT OF THE GRANT OF A PATENT, UTILITY MODEL OR DESIGN. (PER ISO 16016)				DRAWING INTERPRETATION PER 504H0074		DWG NO		A-2168-022	
.XX ± 0.25 ± .03		UNSPECIFIED RADII ARE:				DRAWING TITLE		REV B		SHAFT INSTALLATION	
.XXX ± --- ± .010		UNSPECIFIED DRAFT ANGLES				SCALE 2/1		SHEET 1 OF 1		PART NO	
∠ ± 2°		SURFACE ROUGHNESS		NO BURRS		B SIZE				A-2168-022	