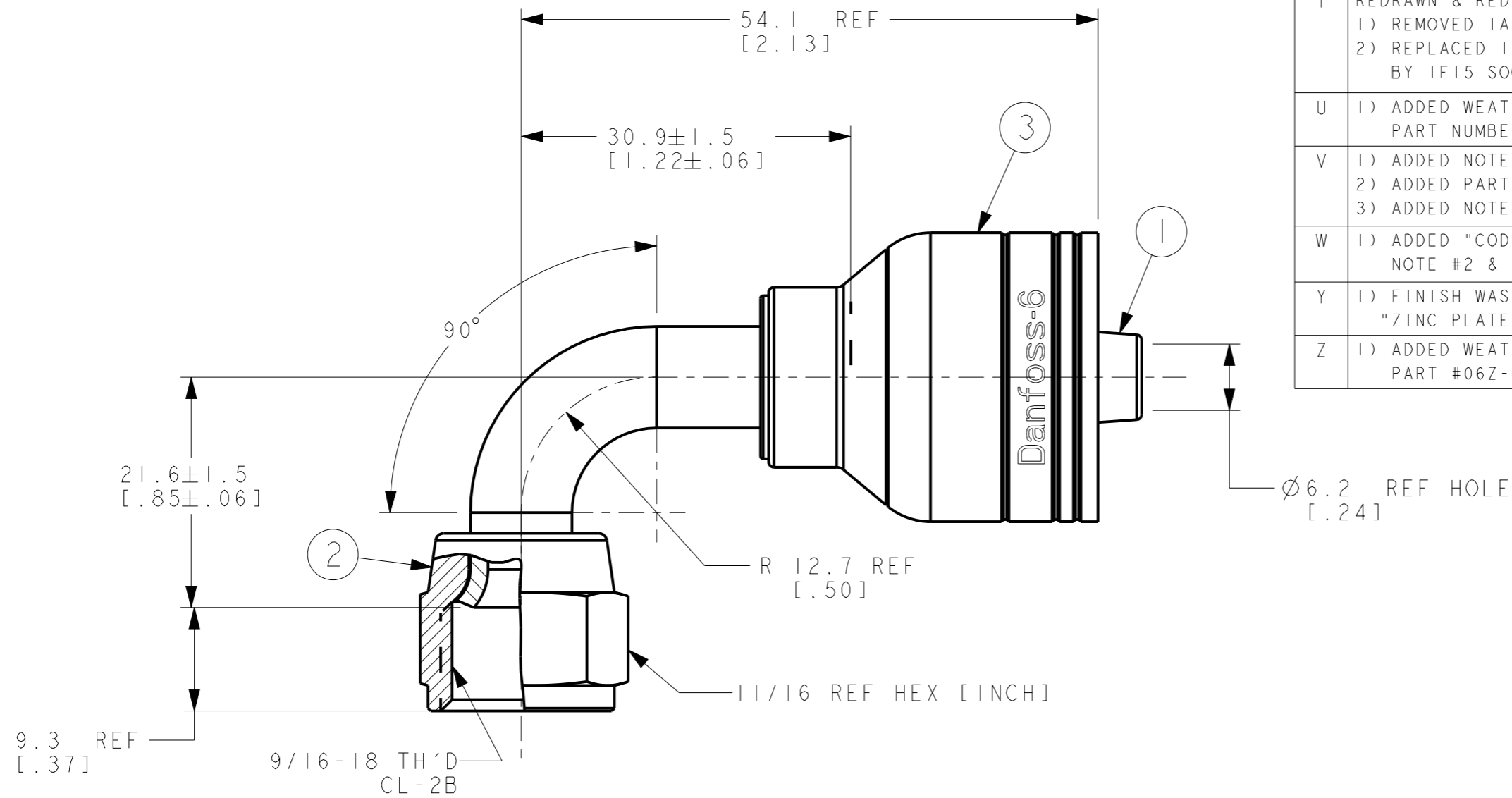


REVISIONS			
REV	DESCRIPTION	DATE	APPROVED
T	REDRAWN & REDESIGNED. 1) REMOVED 1A SOCKET FITTING. 2) REPLACED IF13 SOCKET DESIGN BY IF15 SOCKET DESIGN.	2015-05-27 VPC	0110383-ECO
U	1) ADDED WEATHERHEAD PART NUMBER.	2015-07-21 SMP/DHS	0112485-ECO
V	1) ADDED NOTE CALLOUT #2. 2) ADDED PART #IAA6FJB6TZ. 3) ADDED NOTE #3.	2015-11-10 JJS	0116836-ECO RPS 45711
W	1) ADDED "CODE IF15-06R2" TO NOTE #2 & #3.	2016-10-19 KSD/VPC	0128091-ECO
Y	1) FINISH WAS "ZINC PLATE PER ES 2751".	2020-05-27 DMK	CO-0203713
Z	1) ADDED WEATHERHEAD PART #06Z-666-TZ.	2021-07-27 AAG	CO-0219274




METRIC

- ① ② ③
- ④ ⑤ ⑥
- ⑦ ⑧ ⑨
- ⑩ ⑪ ⑫

06Z-666-TZ	IAA6FJB6TZ	IF40331-0606-02	503-210201-6	IF15-06TZ	
06Z-666	IAA6FJB6	IF40331-0606-02	210201-6S	IF15-06-S	
WEATHERHEAD PART NUMBER	AEROQUIP PART NUMBER	① NIPPLE	② NUT	③ SOCKET	

LIST OF MATERIALS

ITEM NO.	MATERIAL
1	STEEL
2	STEEL
3	STEEL

FLUID CONVEYANCE DIVISION MAUMEE, OHIO U.S.A.		DRAWN	V. CHOUDHARI
		CHECKED	V. CHOUDHARI
		APPROVED	M. WELLS
0110383-ECO		RELEASE DATE	2015-05-27
CAGE CODE 01276		DRAWING INTERPRETATION PER ES 10	
THIRD ANGLE PROJECTION		DRAWING TITLE	
SIZE A3		FITTING ASSEMBLY	
SCALE 2/1		90°, SAE 37° FEMALE SWIVEL	
SHEET 1		1 AND 2 WIRE BRAIDED HOSE	
		DRAWING NUMBER	REV
		IAA6FJB6	Z
<small>THE REPRODUCTION, DISTRIBUTION, AND UTILIZATION OF THIS DOCUMENT AS WELL AS THE COMMUNICATION OF ITS CONTENTS TO OTHERS WITHOUT EXPLICIT AUTHORIZATION IS PROHIBITED. OFFENDERS WILL BE HELD LIABLE FOR THE PAYMENT OF DAMAGES. ALL RIGHTS RESERVED IN THE EVENT OF THE GRANT OF A PATENT, UTILITY MODEL OR DESIGN. (PER ISO 16016)</small>			

3. PROCESS AS FOLLOWS:
- RADIUS FLARE PER FF481.
 - ZINC NICKEL PLATE PER ES 16P66.
 - ASSEMBLE NUT & CRIMP SOCKET PER ACES 2813 CODE IF15-06R2.
 - EXPAND NIPPLE PER ES 4377.
 - BEND TO DIMENSIONS SHOWN PER ACES 1964.
2. PROCESS AS FOLLOWS:
- RADIUS FLARE PER FF481.
 - ZINC PLATE PER ES 2751D8.
 - ASSEMBLE NUT & CRIMP SOCKET PER ACES 2813 CODE IF15-06R2.
 - EXPAND NIPPLE PER ES 4377.
 - BEND TO DIMENSIONS SHOWN PER ACES 1964.
1. DIMENSIONS ARE IN MILLIMETERS [INCHES].