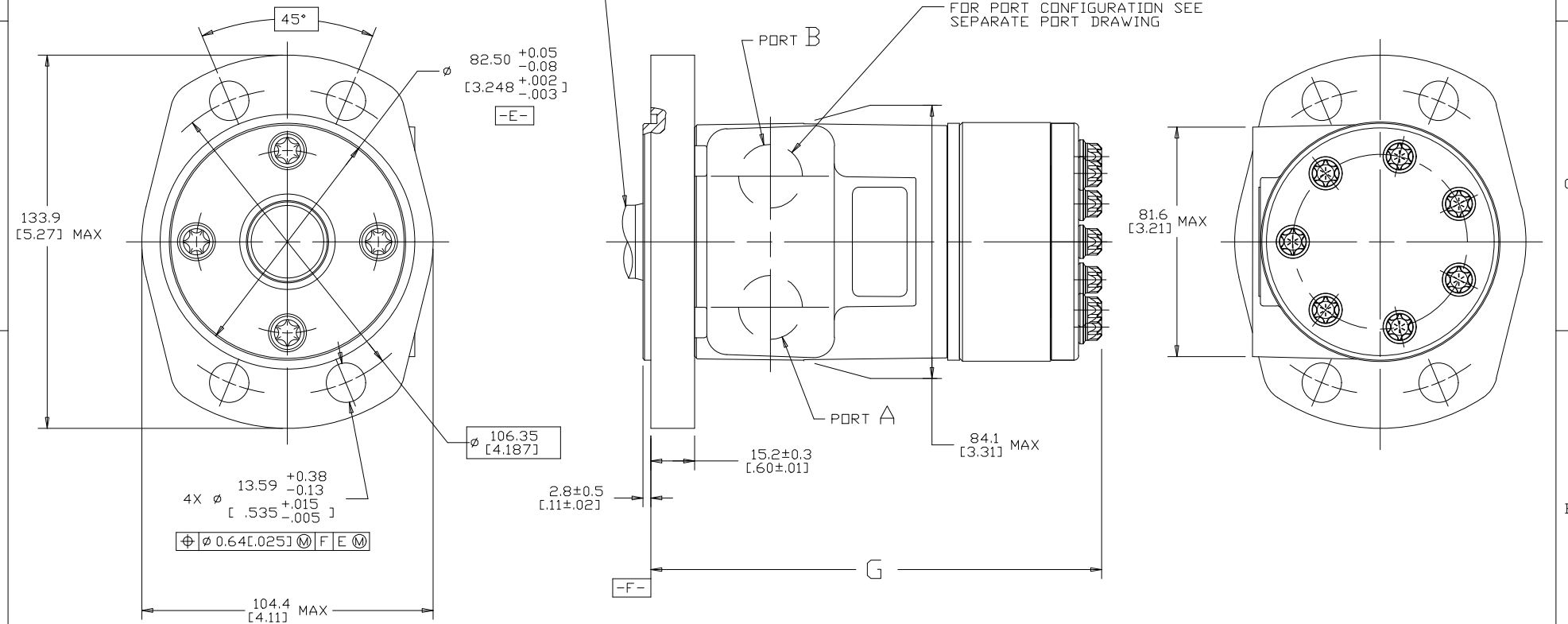


DISPLACEMENT CODE	G MAX	DISPLACEMENT CODE	G MAX
022	132.7 [5.22]	141	158.1 [6.22]
025	133.5 [5.26]	179	166.7 [6.56]
028	132.7 [5.22]	226	177.1 [6.97]
035	136.5 [5.37]	451	228.0 [8.98]
045	136.5 [5.37]		
059	139.5 [5.49]		
073	142.8 [5.62]		
089	146.4 [5.76]		
097	148.2 [5.84]		
113	151.7 [5.97]		

REV	DESCRIPTION	BY	CHK	DATE	ECN
A	ENGINEERING RELEASE	AGJ		11-18-98	M20820
B	<4B>Ø13.59+0.38/-0.13 [5.35+0.015/-0.005] WAS Ø13.59±0.13 [5.35±0.005]	AGJ		1-28-02	39853
C	-1><4C>WAS 131.4/[5.17]MAX -2><4B>WAS 102.4/[4.03]MAX	SJP		04-07-04	46856
D	-1>REVISED PICTORIALLY -2><4D>UPDATED TABULATION FOR G MAX -3>REVISED NOTE AS PER ESP-022-69	AAB		02-17-14	0054755
E	<1C>ADDED DANFOSS LOGO TO END CAP	AAB		01-22-15	0061684
F	<3A>NOTE 3 WAS CASE DRAIN: 0 = NO ...	YUP		07-27-15	0065202
G	<1C>REMOVED DANFOSS LOGO	SSD		04-23-21	0131343




NOTE

- 1 ROTATION: STANDARD; WHEN FACING SHAFT END OF MOTOR, SHAFT TO ROTATE CLOCKWISE WHEN PORT "A" IS PRESSURIZED. COUNTERCLOCKWISE WHEN PORT "B" IS PRESSURIZED.

REVERSE ; WHEN FACING SHAFT END OF MOTOR, SHAFT TO ROTATE CLOCKWISE WHEN PORT "B" IS PRESSURIZED. COUNTERCLOCKWISE WHEN PORT "A" IS PRESSURIZED.
- 2 MOUNTING FLANGE:  
EA = 4 BOLT MAGNETO: Ø82.50 [3.248] X 3.05 [1.20] PILOT Ø13.59 [5.35] MOUNTING HOLES ON Ø106.35 [4.187] B.C.
- 3 CASE DRAIN:  
00 = NO CASE DRAIN



REVIEWED FOR CLASSIFICATION PER ESP-042

UNLESS OTHERWISE SPECIFIED ALL DIMENSIONS ARE IN		DRAWING BASED ON ANSI Y14.5M-1982	
INCHES	<input type="checkbox"/>	THE REPRODUCTION, DISTRIBUTION, AND UTILIZATION OF THIS DOCUMENT, AS WELL AS THE COMMUNICATION OF ITS CONTENTS TO OTHERS WITHOUT EXPLICIT AUTHORIZATION IS PROHIBITED. OFFENDERS WILL BE HELD LIABLE FOR THE PAYMENT OF DAMAGES. ALL RIGHTS RESERVED IN THE EVENT OF THE GRANT OF A PATENT, UTILITY MODEL, OR DESIGN. (PER ISO 18016)	
MILLIMETERS	<input checked="" type="checkbox"/>		
(INCHES)			
TOLERANCES		MATERIAL/HEAT TREAT	
.X	±----	DRAWN BY/DATE	AGJ 11-30-98
.XX	± REF	CHECKED BY/DATE	RAF 11-30-98
.XXX	± ONLY		
<	±----	ENGINEER BY/DATE	RVA 11-30-98
UNSPECIFIED RADII ARE	----	TITLE	
UNSPECIFIED DRAFT ANGLES ARE	----	H MOTOR INSTALLATION	
DRAWING FORMAT CADD <input checked="" type="checkbox"/> MANUAL <input type="checkbox"/>	THIRD ANGLE PROJECTION	MICROINCHES MICROINCHES	NUMBER
	DO NOT SCALE	A-37-419	
		ARITHMETICAL AVERAGE	SCALE 1/1 SHEET 1 OF 1