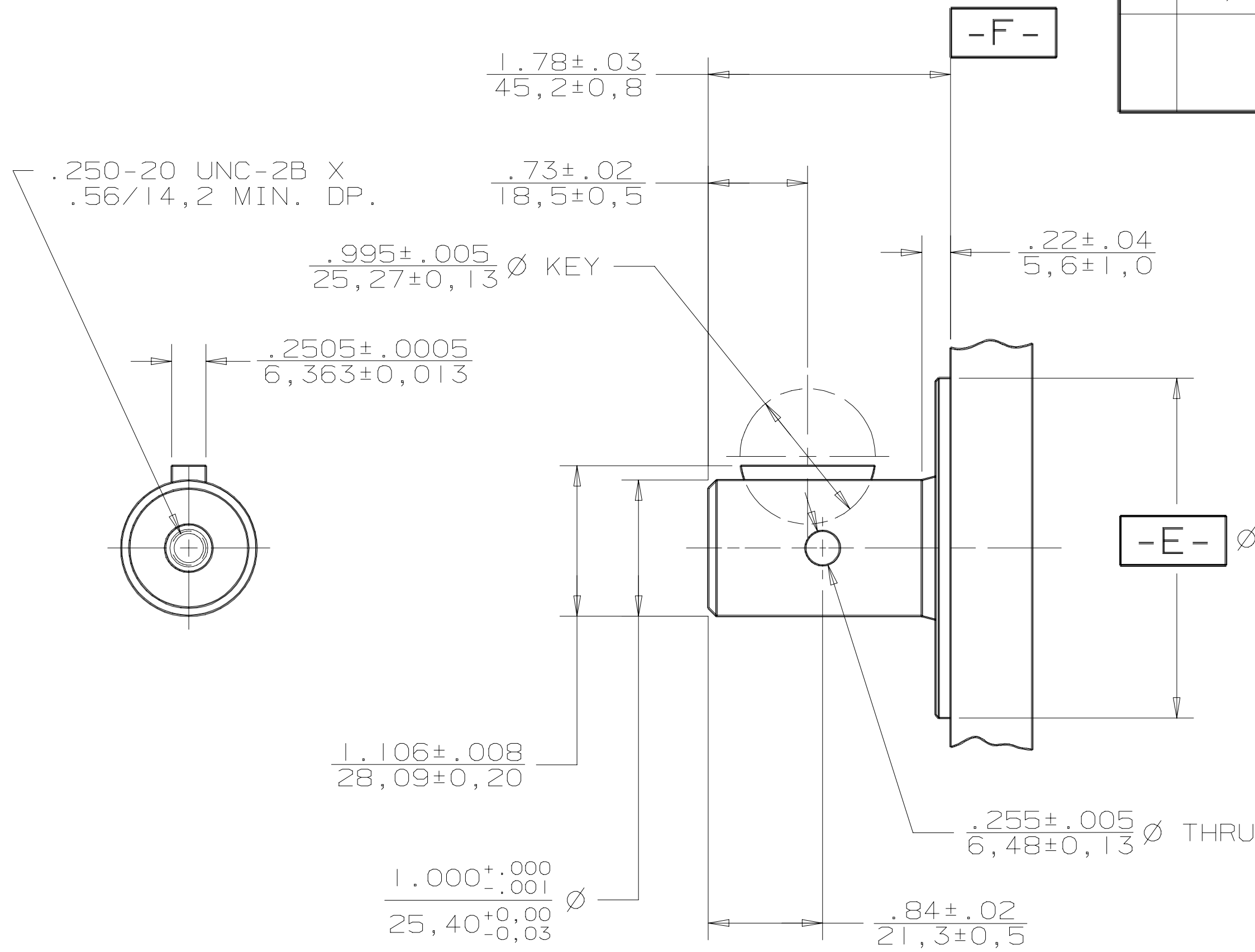


SYM	REVISION	BY	DATE	ECN
A	ENGINEERING RELEASE	RLL	11-10-87	14736
B	1.106±.008 WAS ±.005 28,09±0,20 WAS ±0,13	LE	2-15-88	15101



◎ E .010/0,26 Ø
 ⊥ F .003/0,08

MODEL NO.
 MOXXXX05XXXXXXX

SMG²

THE REPRODUCTION, DISTRIBUTION, AND UTILIZATION OF THIS DOCUMENT, AS WELL AS THE COMMUNICATION OF ITS CONTENTS TO OTHERS WITHOUT EXPLICIT AUTHORIZATION IS PROHIBITED. OFFENDERS WILL BE HELD LIABLE FOR THE PAYMENT OF DAMAGES. ALL RIGHTS RESERVED IN THE EVENT OF THE GRANT OF A PATENT, UTILITY MODEL, OR DESIGN. (PER ISO 16016)			
DRAWN BY/DATE RLL 10-28-87	MATERIAL/HEAT TREAT		
CHECKED BY/DATE	TITLE SHAFT INSTALLATION		
ENGRG BY/DATE	DO NOT SCALE		
THIRD ANGLE PROJECTION	LINEAR MEASUREMENT IN/MM IN/MM	NUMBER A-109-005	
SCALE FULL SIZE		SHEET 1 OF 1	

OUTPUT SHAFT
 05 = 1.00/25,4 DIA. STRAIGHT WITH WOODRUFF KEY,
 .25/6,4 DIA. CROSSHOLE .84/21,3 FROM END,
 AND .250-20 THREADED HOLE