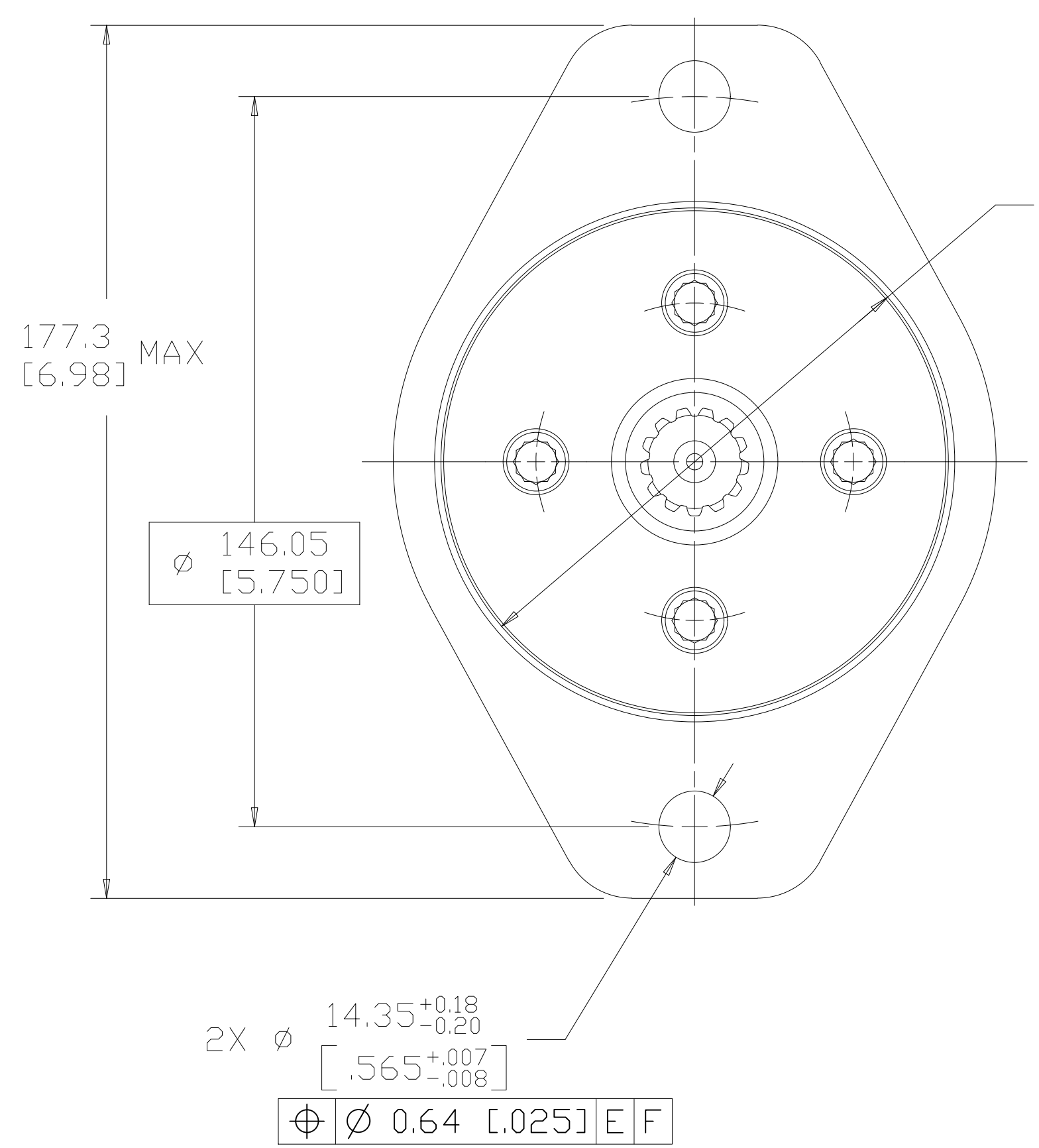


DISPLACEMENT CODE	G MAX
022	129.4 [5.09]
025	130.2 [5.13]
028	129.4 [5.09]
035	133.2 [5.24]
045	133.2 [5.24]
059	136.2 [5.36]
073	139.5 [5.49]
089	143.1 [5.63]
097	144.9 [5.71]
113	148.4 [5.84]
141	154.8 [6.09]
179	163.4 [6.43]
226	173.8 [6.84]
451	224.7 [8.85]

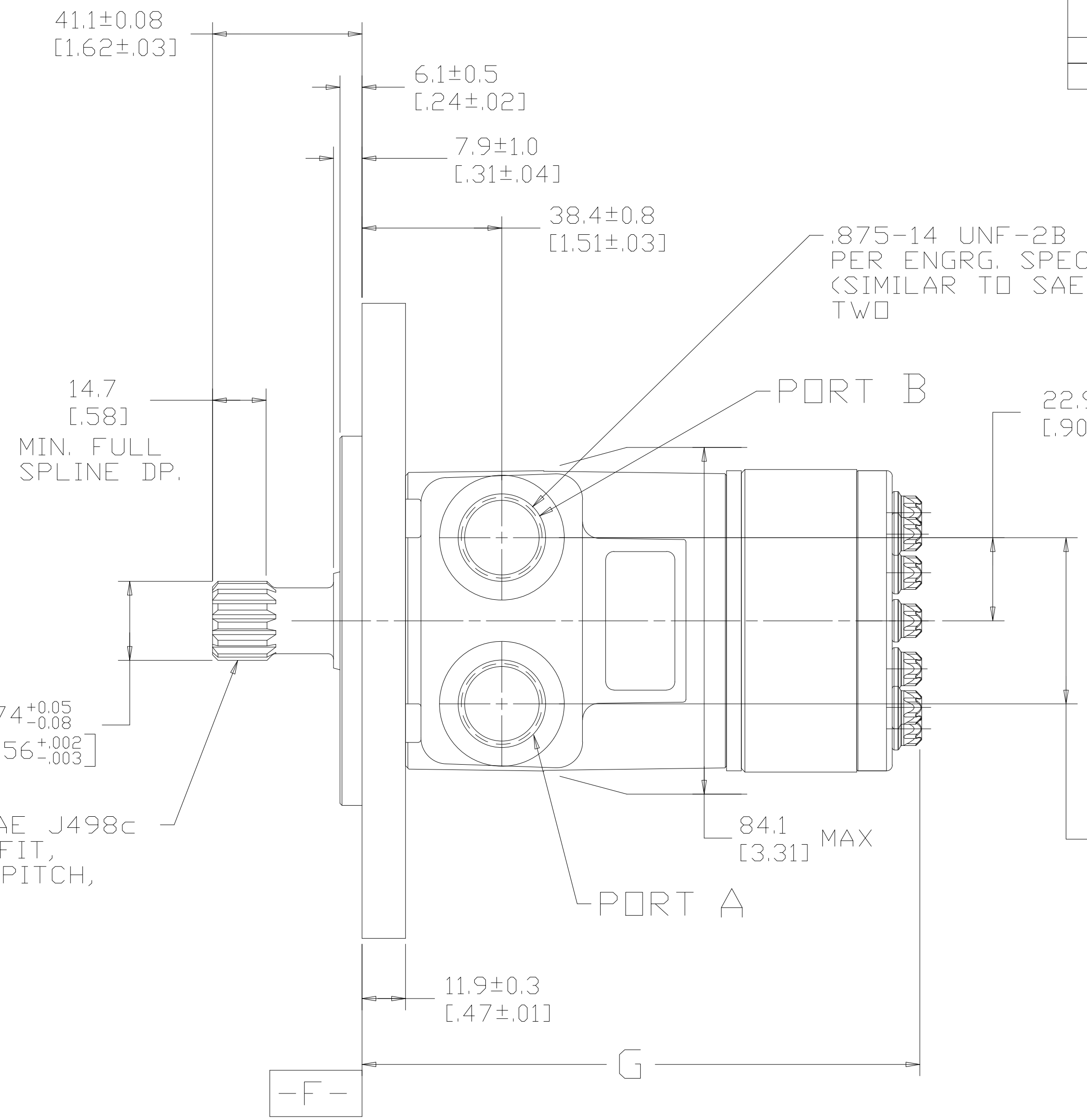
SYM	REVISION	BY	DATE	ECN
A	ENGINEERING RELEASE	RLI	11-10-87	14736
B	-1>(2C)3.25/82,6 MAX WAS 3.21/81,6 MAX -2>(4B) ADDED 3.36/85,4 MAX -3>(3C)REMOVED 3.31/84,1 Ø MAX	DPR	12-13-89	18329
C	-1>(2C) 3.21/81,6 WAS 3.25/82,6 -2>(4B) 3.31/84,1 WAS 3.36/85,4	LK	10-9-90	19520
D	-1>REVISED G MAX TAB -2>REVISED PICTORIALY	AGJ	8-27-92	22674
E	-1>(8C)WAS 6.97/177,1MAX -2>(1B)WAS 4.81/122,2MAX	SJP	04-07-04	46856
F	-1>REVISED PICTORIALY -2>(4D)UPDATED TABULATION FOR G MAX -3>REVISED NOTE AS PER ESP-022-69	AAB	02-17-14	0054755
G	<1C>ADDED EATON LOGO TO END CAP	AAB	01-22-15	0061684
H	NOTE 5 WAS CASE DRAIN: 0 = NO CASE DRAIN	ABH	07-27-15	0065202



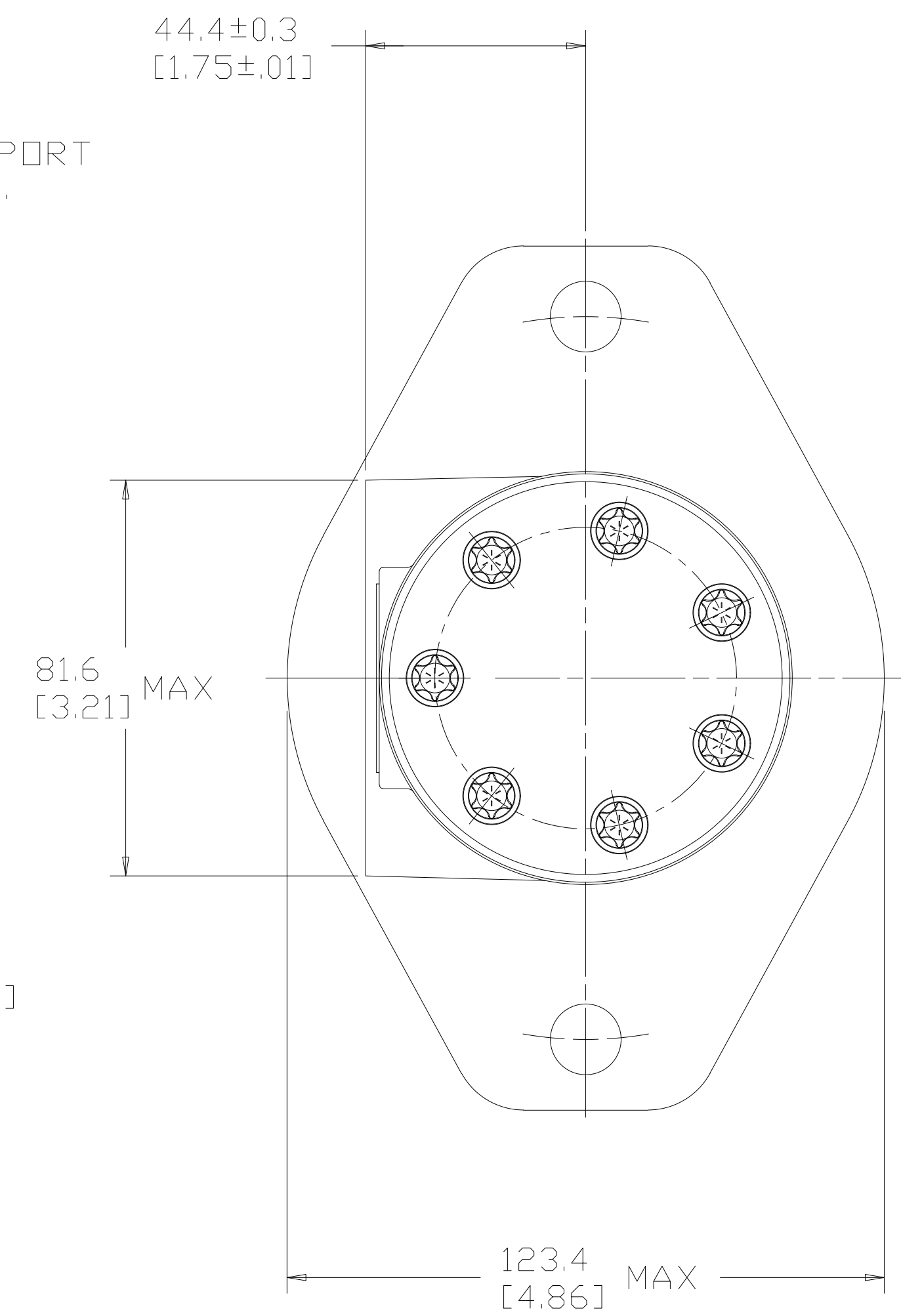
Ø 101.55^{+0.05}_{-0.08}
 [3.998^{+0.002}_{-0.003}]
 -E-

SPLINE TO FIT SAE J498c
 FLAT ROOT SIDE FIT,
 13 TOOTH, 16/32 PITCH,
 30° P/A SPLINE.

⊙ Ø0.26 [0.010] E
 ▭ 0.08 [0.003] F



.875-14 UNF-2B O-RING PORT
 PER ENGRG. SPEC. DS-010,
 (SIMILAR TO SAE J514j)
 TWO



NOTE:

- ROTATION:
 STANDARD; WHEN FACING SHAFT END OF MOTOR, SHAFT TO ROTATE CLOCKWISE WHEN PORT "A" IS PRESSURIZED. COUNTERCLOCKWISE WHEN PORT "B" IS PRESSURIZED.

 REVERSE ; WHEN FACING SHAFT END OF MOTOR, SHAFT TO ROTATE CLOCKWISE WHEN PORT "B" IS PRESSURIZED. COUNTERCLOCKWISE WHEN PORT "A" IS PRESSURIZED.
- MOUNTING FLANGE:
 DD = 2 BOLT STD: Ø101.60 [4.000] X 6.10 [0.240] PILOT, Ø14.35 [0.565]
 MOUNTING HOLES ON Ø146.05 [5.750] B.C. (SAE B)
- OUTPUT SHAFT:
 16 = 22.22 [0.875] DIA. SAE 13 TOOTH SPLINE (SAE B)
- PORT TYPE:
 AA = .875-14 UNF-2B SAE O-RING PORTS
- CASE DRAIN:
 00 = NO CASE DRAIN

UNLESS OTHERWISE SPECIFIED ALL DIMENSIONS ARE IN INCHES [MILLIMETERS (INCHES)]

REVIEWED FOR CLASSIFICATION PER ESP-042

DRAWING BASED ON ANSI Y14.5M-1982

THE REPRODUCTION, DISTRIBUTION AND UTILIZATION OF THIS DOCUMENT AS WELL AS THE COMMUNICATION OF ITS CONTENTS TO OTHER WITHOUT EXPLICIT AUTHORIZATION IS PROHIBITED. OFFENDERS WILL BE HELD LIABLE FOR THE PAYMENT OF DAMAGES. ALL RIGHT RESERVED IN THE EVENT OF THE GRANT OF A PATENT, UTILITY MODEL OR DESIGN. (PER ISO 16016)

Danfoss

DRAWN BY/DATE: RLL 12-4-87	MATERIAL/HEAT TREAT: -
CHECKED BY/DATE: KD 1-25-88	TITLE: H MOTOR INSTALLATION
ENGRG BY/DATE: WCW 1-25-88	NUMBER: A-37-332
METALLURGY BY/DATE: -	SCALE: 1/1 SHEET 1 OF 1

UNSPECIFIED RADII ARE: -

UNSPECIFIED DRAFT ANGLES ARE: -

THIRD ANGLE PROJECTION

DO NOT SCALE

ARITHMETICAL AVERAGE