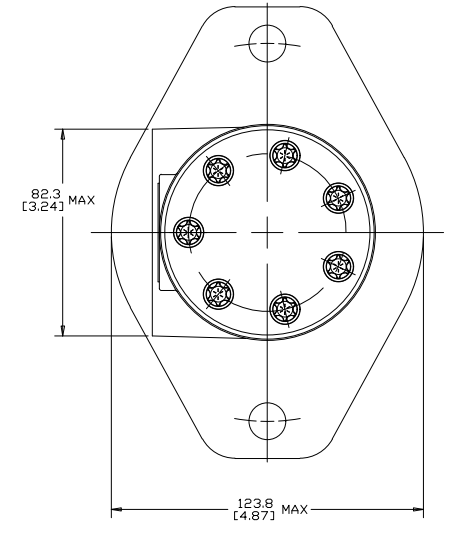
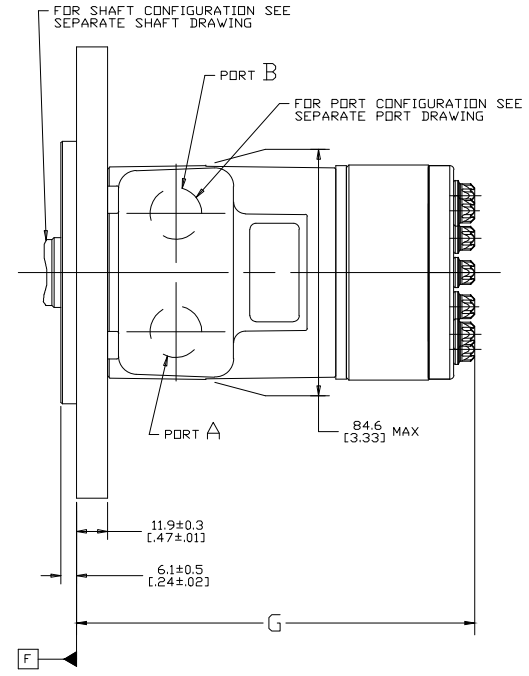
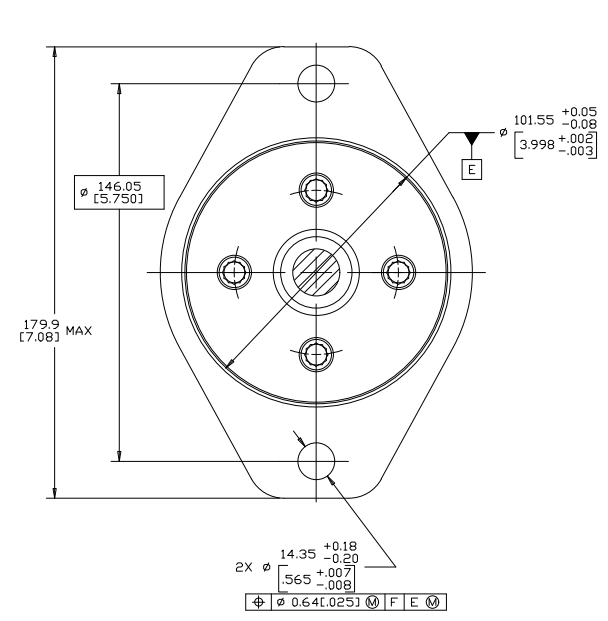


DISPLACEMENT CODE	G	MAX
022	129.4	[5.09]
025	130.2	[5.13]
028	129.4	[5.09]
035	133.2	[5.24]
045	133.2	[5.24]
059	136.2	[5.36]
073	139.5	[5.49]
089	143.1	[5.63]
097	144.9	[5.71]
113	148.4	[5.84]
141	154.8	[6.09]
179	163.4	[6.43]
226	173.8	[6.84]
451	224.7	[8.85]

REV	DESCRIPTION	BY	CHK	DATE	ECN
A	ENGINEERING RELEASE	GCB		5-14-96	28088
B	(B)ADDED CODE 45, 224.8 [8.85]	CMR		10-20-97	30249
C	-1X(B)WAS 177.1/[6.97] MAX -2X(B)WAS 122.1/[4.81] MAX	SJP		04-07-94	46856
D	-1X(B)REVISED DISPLACEMENT CODE AND G MAX TAB -2X(B)179.9[7.08] WAS 177.3[6.98] -3X(B)84.6[3.33] WAS 84.1[3.31] -4X(C)82.3[3.24] WAS 81.6[3.21] -5X(C)REMOVED DIM 44.4±0.3[1.75±0.1] -6X(B)123.8[4.87] WAS 123.4[4.86] - 7X)UPDATED DRAWING PER ASME Y14.5M 1994 STANDARD	AAB	SSD	11-29-12	M87606
E	-1X)REVISED PICTORIALY -2X(B)UPDATED TABULATION FOR G MAX	AAB		12-17-14	0054755
F	(2)ADDED DANFOSS LOGO TO ENDCAP	AAB		11-22-15	0061684
G	NOTE 3 WAS CASE DRAIN: 0 = NO CASE DRAIN	ABH		07-27-15	0065202
H	(2)REMOVED DANFOSS LOGO	SSD		04-23-21	0131343



- NOTE:
- ROTATION:  
STANDARD: WHEN FACING SHAFT END OF MOTOR SHAFT TO ROTATE CLOCKWISE WHEN PORT "A" IS PRESSURIZED COUNTERCLOCKWISE WHEN PORT "B" IS PRESSURIZED  
REVERSE: WHEN FACING SHAFT END OF MOTOR SHAFT TO ROTATE CLOCKWISE WHEN PORT "B" IS PRESSURIZED COUNTERCLOCKWISE WHEN PORT "A" IS PRESSURIZED
  - MOUNTING FLANGE:  
DD = 2 BOLT STD:  $\phi$  101.60[4.000] X 6.10[0.240] PILOT  $\phi$  14.35[0.565]  
MOUNTING HOLES DN  $\phi$  146.05[5.750] B.C. (SAE B) (DUCTILE)
  - CASE DRAIN:  
00 = NO CASE DRAIN

**REVIEWED FOR CLASSIFICATION PER ESP-042**

DRAWING BASED ON ASME Y14.5M-1994

UNLESS OTHERWISE SPECIFIED ALL DIMENSIONS ARE IN INCHES	DRAWN GCB		MATERIAL/HEAT TREAT
MILLIMETERS (X)	BY/DATE 5-24-96		
TOLERANCES	CHECKED RWF	BY/DATE 5-28-96	
X ± ----	UNSPECIFIED	BY/DATE 5-28-96	TITLE H MOTOR INSTALLATION
XXX ± ----	ENGRS RWA		
± ± ----	BY/DATE 5-28-96		
UNSPECIFIED	METALLURGY		
RADII ARE: ---	BY/DATE		
UNSPECIFIED			
DRAFT ANGLES ARE: +	THIRD ANGLE PROJECTION	NUMBER	A-37-391
---	DO NOT SCALE	SCALE	1/1 SHEET 1 OF 1
D SIZE	METRIC/AVERAGE		

*Danfoss*