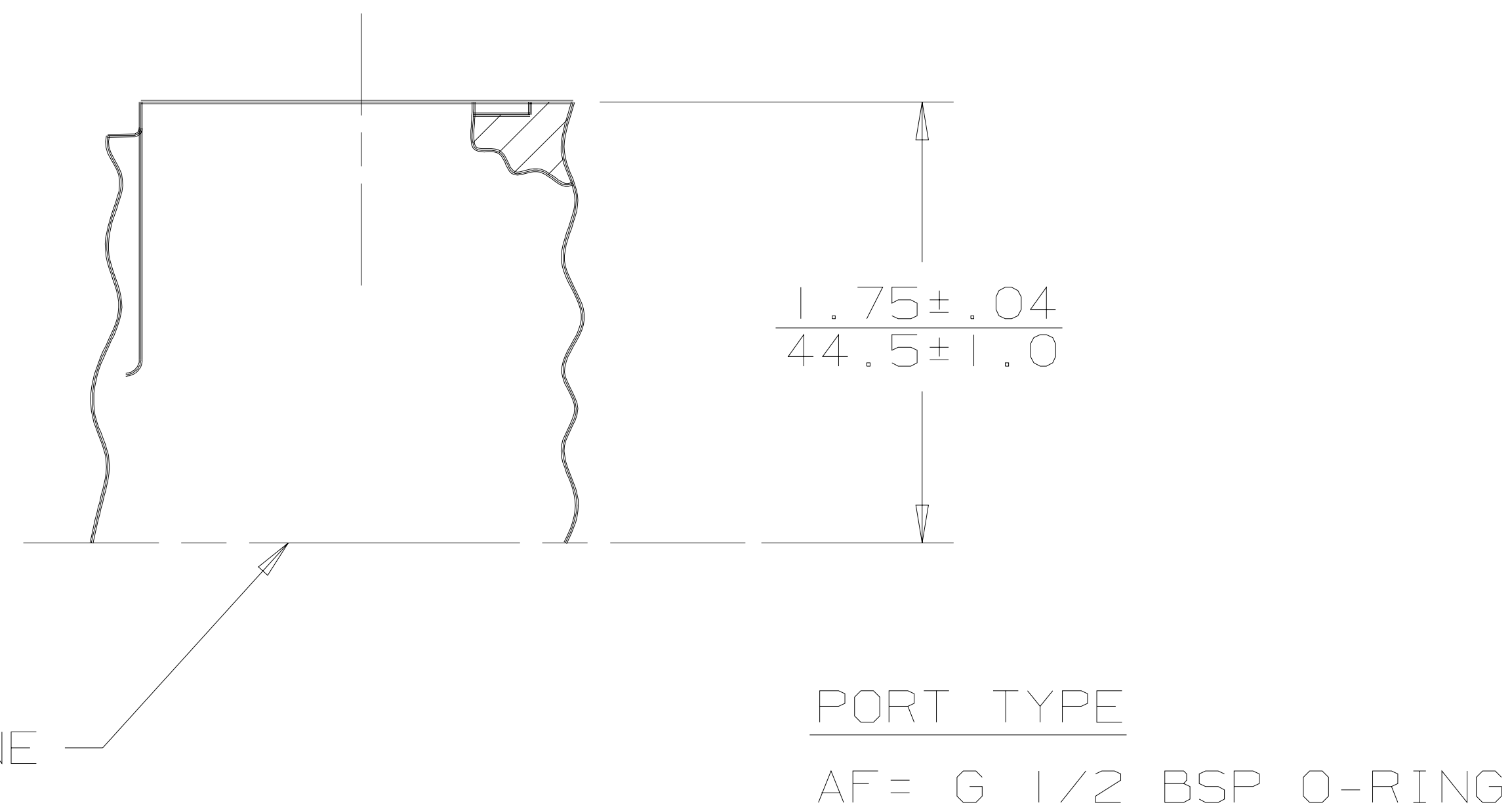
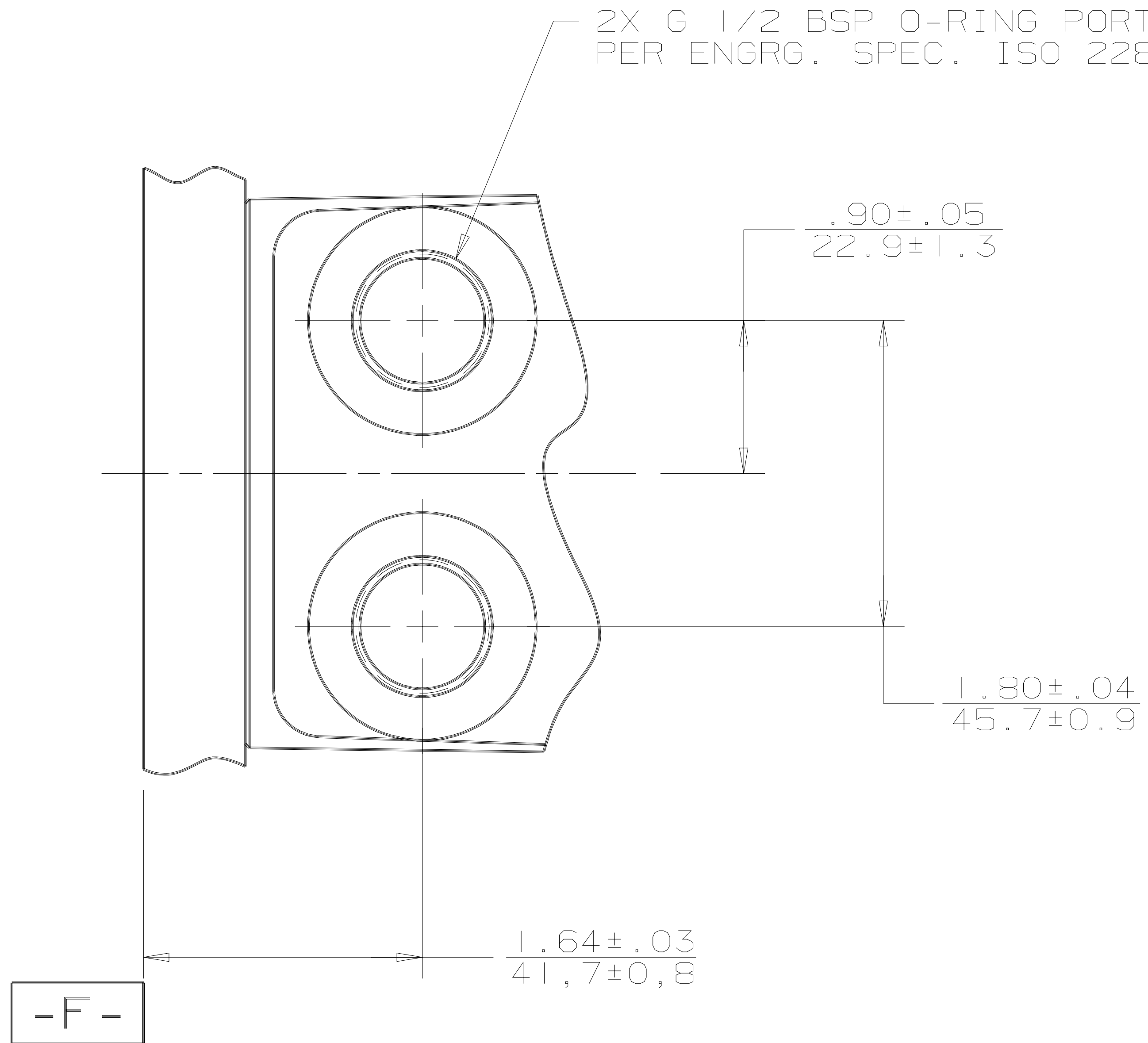


SYM	REVISION	BY	DATE	ECN
A	ENGINEERING RELEASE	DK	11-10-87	14736
B	PORT TYPE OPTION WAS "E"	SSD	03-27-07	0004356
C	REVISED	SSD	07-31-08	M6531



UNLESS OTHERWISE SPECIFIED ALL DIMENSIONS ARE IN		DRAWING BASED ON ANSI Y14.5M-1982	
INCHES <input type="checkbox"/>	MILLIMETERS [INCHES] <input checked="" type="checkbox"/>	EATON CORPORATION - CONFIDENTIAL AND PROPRIETARY NOTICE TO PERSONS RECEIVING THIS DRAWING AND / OR TECHNICAL INFORMATION	
<p>TOLERANCES</p> <p>.X ± --</p> <p>.XX ± --</p> <p>.XXX ± --</p> <p>∅ ± -- °</p> <p>UNSPECIFIED RADII ARE: -----</p> <p>UNSPECIFIED DRAFT ANGLES ARE: ----- °</p> <p>B SIZE</p>		<p>THIS DOCUMENT, INCLUDING THE DRAWING AND INFORMATION CONTAINED THEREON, IS CONFIDENTIAL AND IS THE EXCLUSIVE PROPERTY OF EATON CORPORATION, AND IS MERELY ON LOAN AND SUBJECT TO RECALL BY EATON AT ANY TIME. BY TAKING POSSESSION OF THIS DOCUMENT, THE RECIPIENT ACKNOWLEDGES AND AGREES THAT THIS DOCUMENT CANNOT BE USED IN ANY MANNER ADVERSE TO THE INTERESTS OF EATON, AND THAT NO PORTION OF THIS DOCUMENT MAY BE COPIED OR OTHERWISE REPRODUCED WITHOUT THE PRIOR WRITTEN CONSENT OF EATON. IN THE CASE OF CONFLICTING CONTRACTUAL PROVISIONS, THIS NOTICE SHALL GOVERN THE STATUS OF THIS DOCUMENT.</p> <p>POWERING BUSINESS WORLDWIDE Eaton Hydraulics Inc. 14615 Lone Oak Road Eden Prairie, MN 55344 USA</p>	
DRAWN DK BY/DATE 11-18-87		MATERIAL/HEAT TREAT	
CHECKED - BY/DATE -		-	
ENGRG - BY/DATE -		TITLE	
METALLURGY ----- BY/DATE -----		PORT INSTALLATION	
<p>THIRD ANGLE PROJECTION</p> <p>DO NOT SCALE</p>		<p>NUMBER</p> <p>A-110-005</p>	
<p>ARITHMETICAL AVERAGE</p>		<p>SCALE 1/1</p> <p>SHEET 1 OF 1</p>	