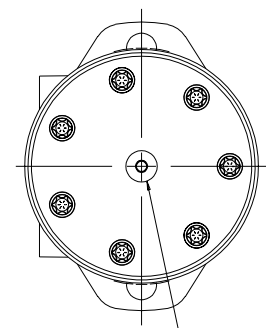
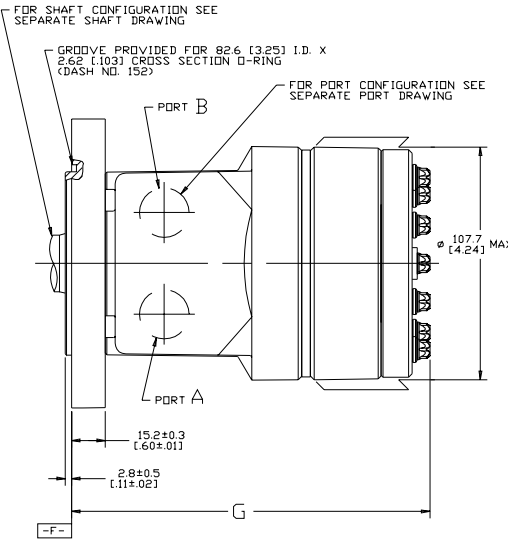
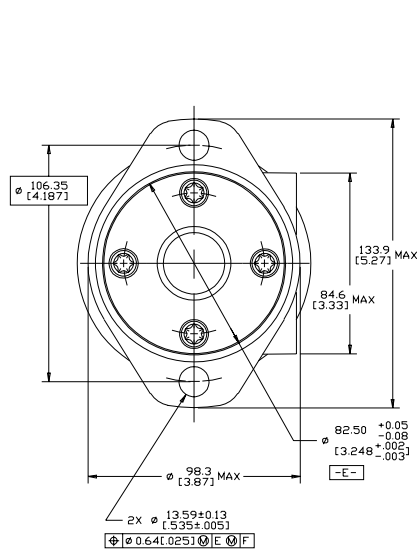


DISP. CODE	G	MAX
036	138.0	[5.43]
046	140.3	[5.52]
057	142.5	[5.61]
073	146.0	[5.75]
088	149.1	[5.87]
101	151.8	[5.98]
114	154.5	[6.08]
137	159.4	[6.28]
182	169.0	[6.66]
227	178.4	[7.02]

REV	DESCRIPTION	BY	CHK	DATE	ECN
A	ENGINEERING RELEASE	SMM		06-09-04	48257
B	-1X(6C) WAS 131.4[5.17] MAX -2X(7B) WAS Ø96.8[3.81] MAX	SRM		04-07-04	ECR8166
C	-1) (8A) NOTE 2 WAS MOUNTING FLANGE : "A.S" -2) (8A) NOTE 3 WAS CASE DRAIN : 2...	TTV	CSG	04-08-16	0070053



G 1/4 BSP STRAIGHT THD CASE DRAIN PORT WHEN REQUIRED, REMOVE O-RING PLUG. DRAIN LINE MUST BE CONNECTED THRU 3.4 bar [50 lbf/in²] MIN CHECK VALVE TO RESERVOIR

NOTE

1 ROTATION:
STANDARD: WHEN FACING SHAFT END OF MOTOR, SHAFT TO ROTATE CLOCKWISE WHEN PORT "A" IS PRESSURIZED COUNTERCLOCKWISE WHEN PORT "B" IS PRESSURIZED
REVERSE: WHEN FACING SHAFT END OF MOTOR, SHAFT TO ROTATE COUNTERCLOCKWISE WHEN PORT "A" IS PRESSURIZED COUNTERCLOCKWISE WHEN PORT "B" IS PRESSURIZED

2 MOUNTING FLANGE:
AA,AD,AN = 2 BOLT STD: Ø82.6 (3.25) X 3.0 (1.18) PILOT Ø13.59 (5.35) MOUNTING HOLES DN Ø106.2 (4.18) BC.

3 CASE DRAIN:
02 = G 1/4 BSP STRAIGHT THD PORT (END CAP)

REVIEWED FOR CLASSIFICATION PER ESP-042

UNLESS OTHERWISE SPECIFIED ALL DIMENSIONS ARE IN MILLIMETERS (INCHES)	DRAWING BASED ON ANSI Y14.5M-1982
TOLERANCES	EXCEPT WHERE SHOWN OTHERWISE
UNSPECIFIED ANGLES ARE	THIRD ANGLE PROJECTION
UNSPECIFIED DRAFT ANGLES ARE	DO NOT SCALE
DRAWING FORMAT CONFORMS TO	ANISY 14.5M-1982
DATE	BY
07-02-04	SMM
07-06-04	TTV
07-06-04	CSG
TITLE: S MOTOR INSTALLATION	
NUMBER: A-1470-201	
SCALE: 1/1	
SHEET 1 OF 1	