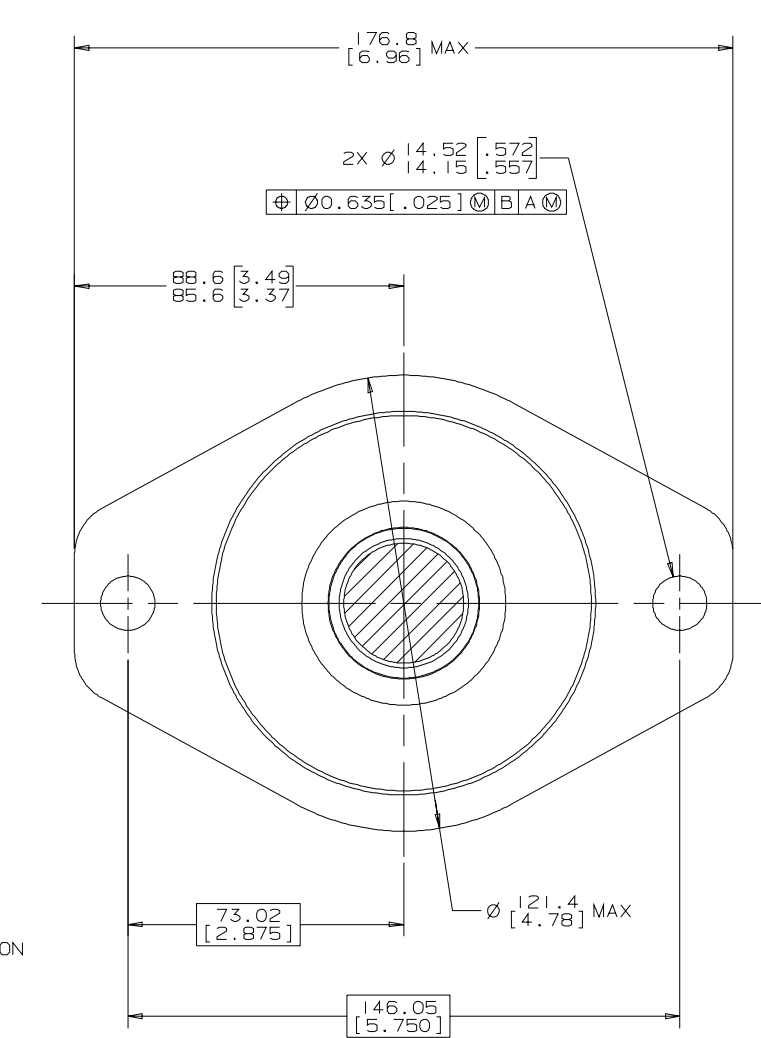
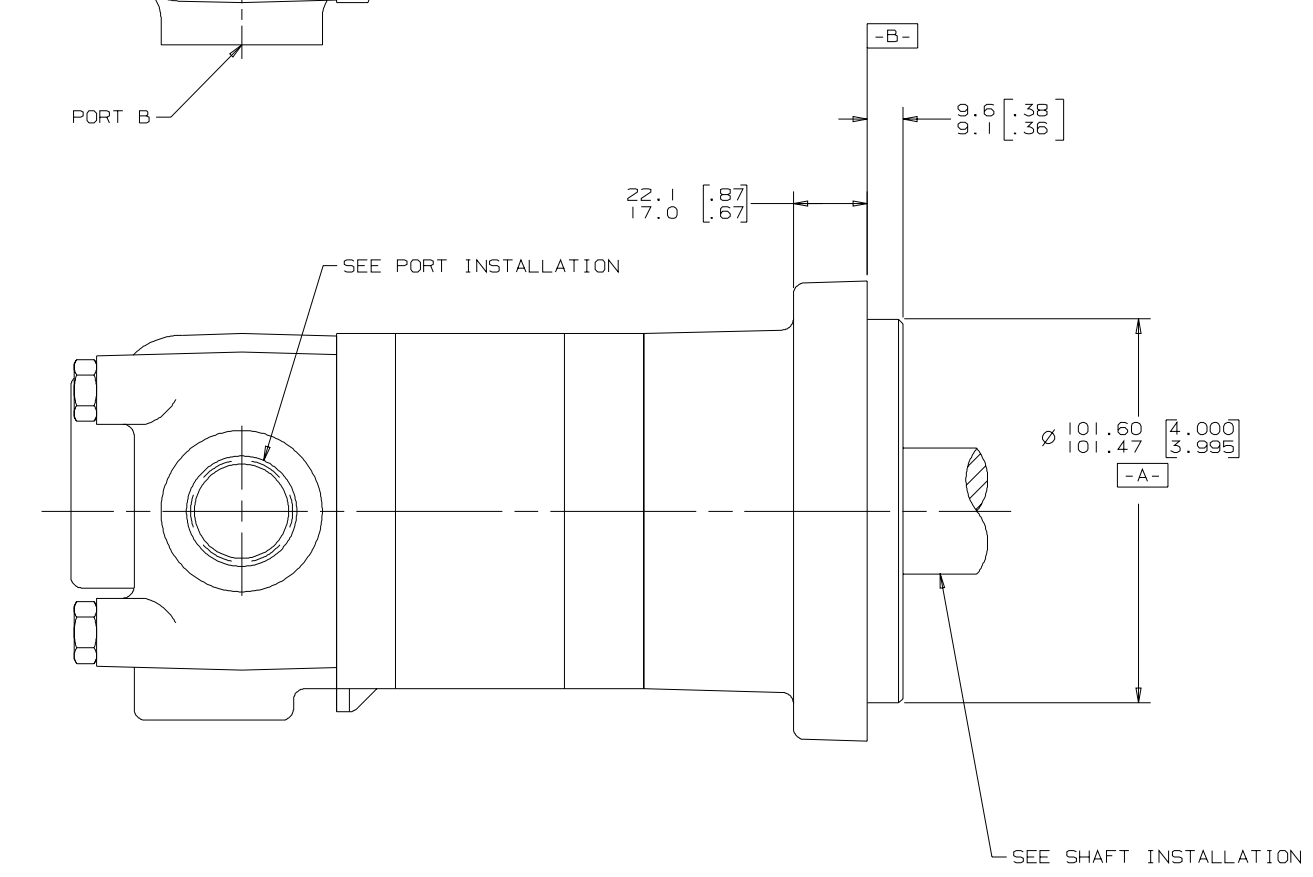
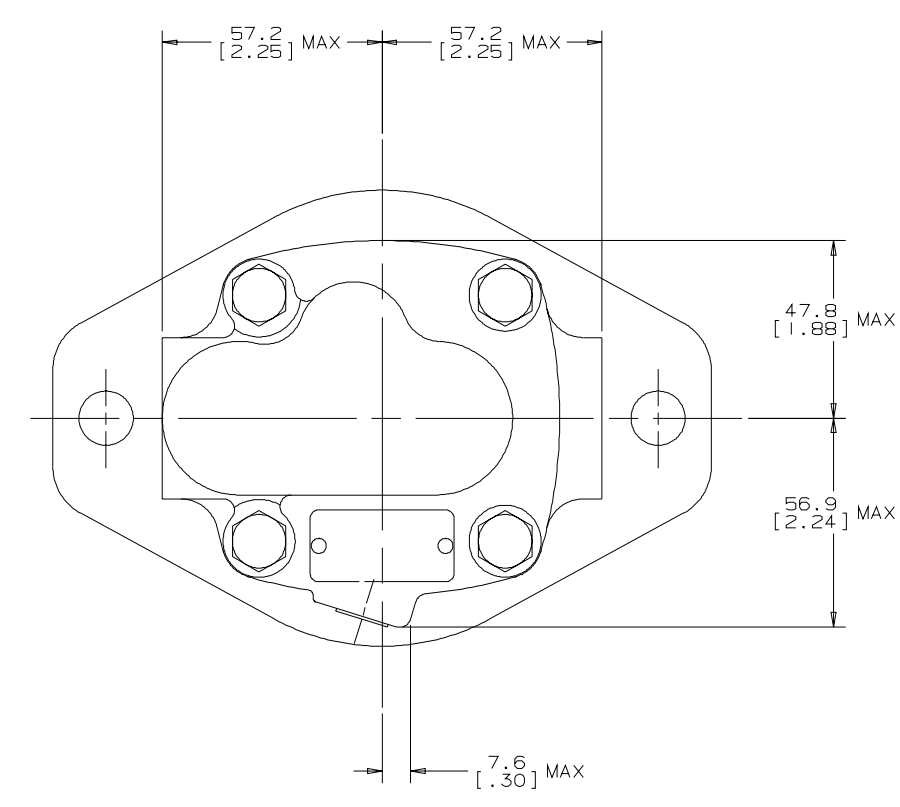
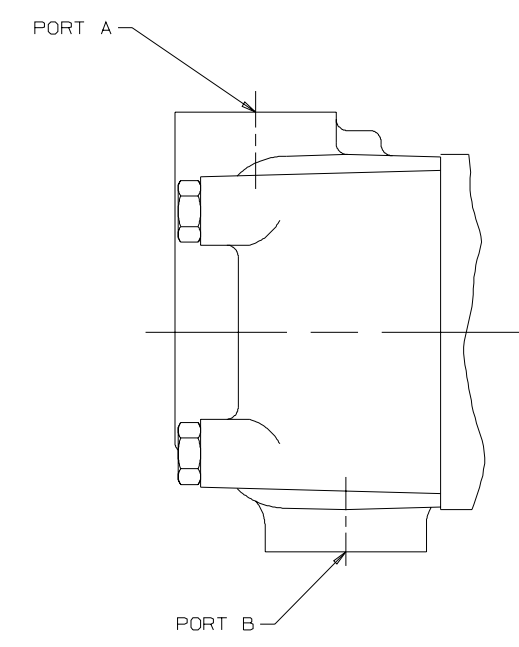


SYM	REVISION	BY	DATE	ECN
A	ENGINEERING RELEASE	AGJ	5-26-93	22833
B	(4A)NOTE 2 WAS MOUNTING TYPE: F	AGJ	5/13/02	41044



NOTE

1 ROTATION:
 STANDARD: WHEN FACING SHAFT END OF MOTOR, SHAFT TO ROTATE:
 CLOCKWISE WHEN PORT "A" IS PRESSURIZED
 COUNTERCLOCKWISE WHEN PORT "B" IS PRESSURIZED
 REVERSE: WHEN FACING SHAFT END OF MOTOR, SHAFT TO ROTATE:
 CLOCKWISE WHEN PORT "B" IS PRESSURIZED
 COUNTERCLOCKWISE WHEN PORT "A" IS PRESSURIZED

2 MOUNTING TYPE: AF
 STANDARD: 2 BOLT: Ø 101.6 [4.00] PILOT
 Ø 14.35 [1.565] HOLES ON Ø 146.0 [5.75]
 BOLT CIRCLE "SAE B"

G K S

UNLESS OTHERWISE SPECIFIED ALL DIMENSIONS ARE IN		DRAWING BASED ON ANSI Y14.5M-1982	
INCHES <input type="checkbox"/>	MILLIMETERS <input checked="" type="checkbox"/>	THE REPRODUCTION, DISTRIBUTION, AND UTILIZATION OF THIS DOCUMENT, AS WELL AS THE COMBINATION OF ITS CONTENTS TO OTHERS WITHOUT EXPLICIT AUTHORIZATION IS PROHIBITED. OFFENDERS WILL BE HELD LIABLE FOR THE PAYMENT OF DAMAGES. ALL RIGHTS RESERVED IN THE EVENT OF THE GRANT OF A PATENT, UTILITY MODEL, OR DESIGN (PER ISO 10110)	
TOLERANCES		DANFLOSS	
.X	----	DRAWN BY/DATE	A. JOHNSON 3-18-93
.XXX	REF	CHECKED BY/DATE	SDR 6-24-93
----	ONLY	ENGRG BY/DATE	SJZ 6-28-93
UNSPECIFIED	RADI ARE	METALLURGY	BY/DATE
UNSPECIFIED	DRAFT ANGLES ARE	TITLE	
THIRD ANGLE PROJECTION		2000 SERIES MOTOR INSTALL	
DRAWING FORMAT	MANUAL <input type="checkbox"/>	WIDRINCHES	WIDOMETERS
DO NOT SCALE	ARITHMETICAL AVERAGE	NUMBER	A-667-002
SCALE	1/1	SHEET	1 OF 1