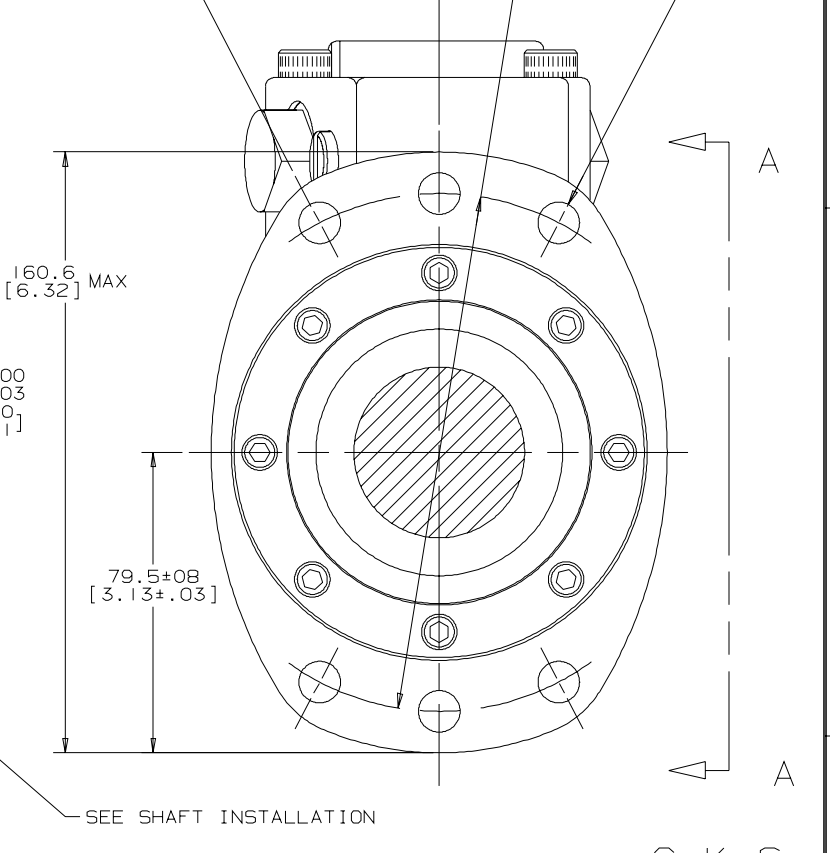
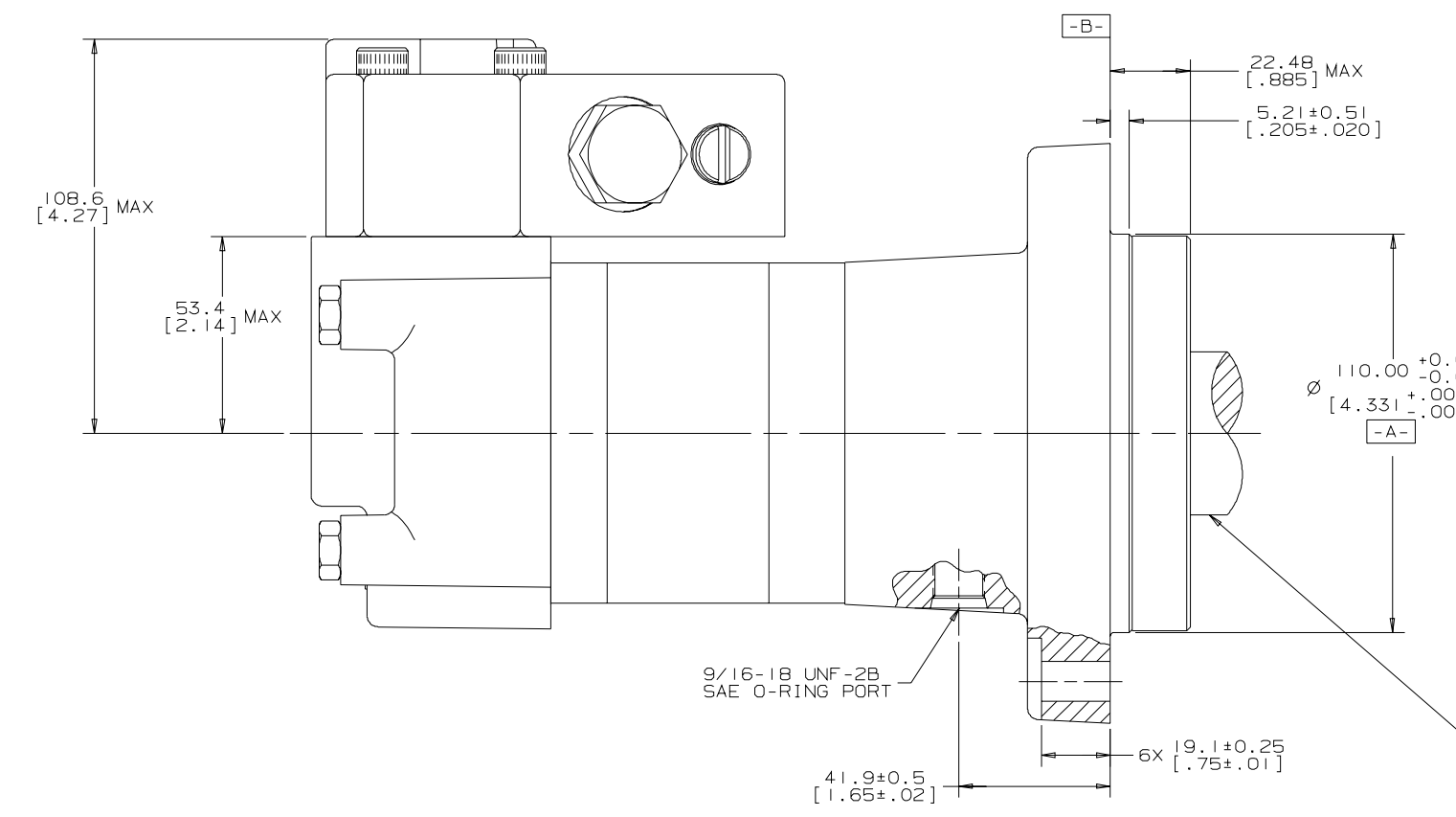
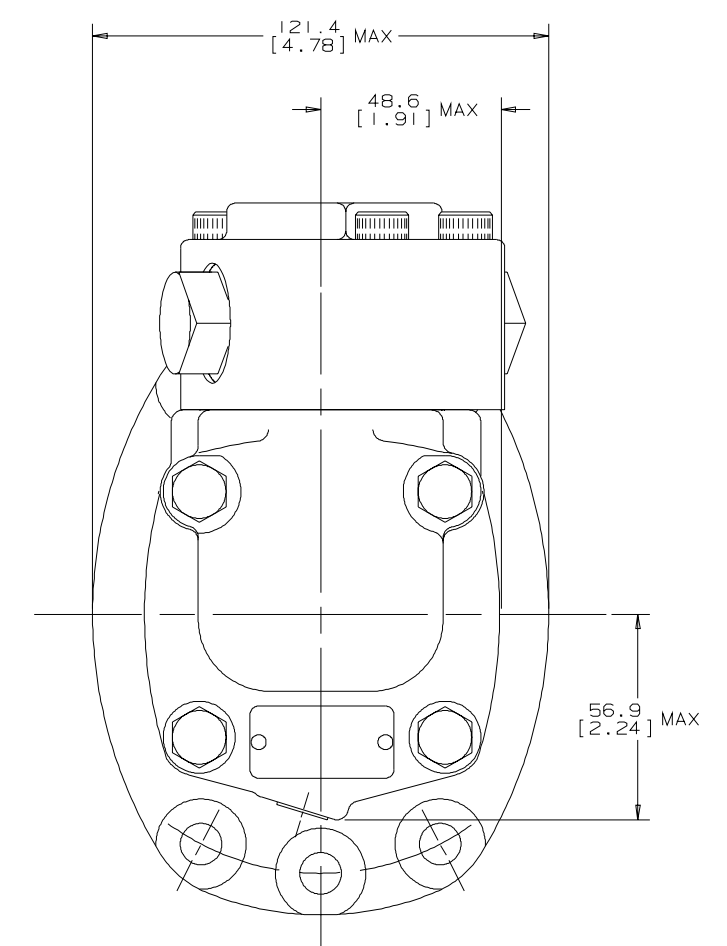
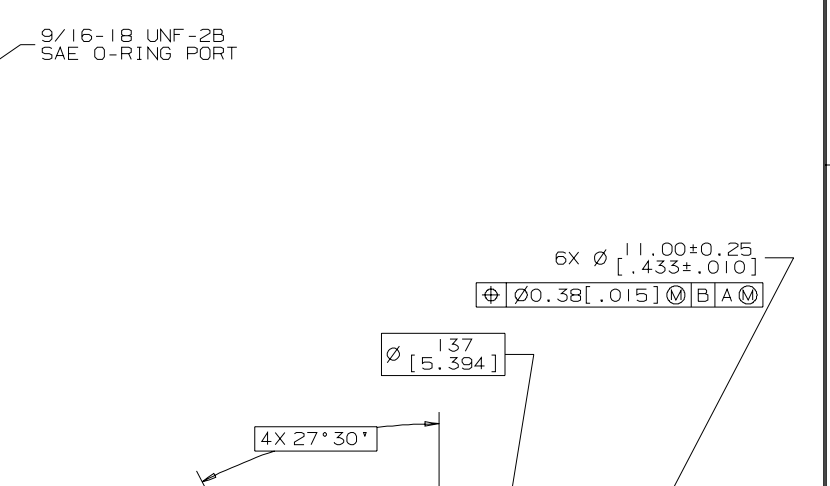
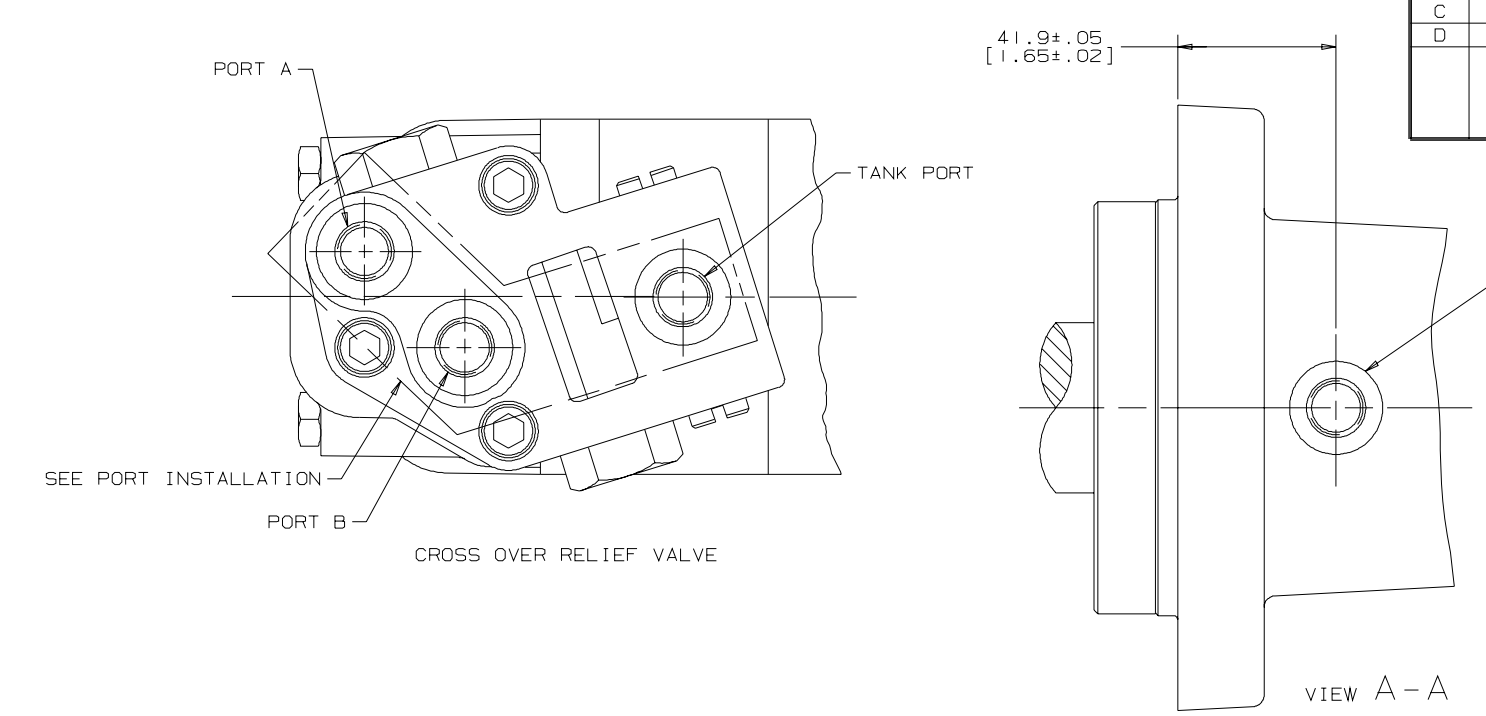


SYM	REVISION	BY	DATE	ECN
A	RELEASE FOR SAMPLES AND ESTIMATE	GCB	6-26-96	X8850
B	ENGINEERING RELEASE	RAF	7-2-96	M15743
C	(4B) ADDED 9/16 PORT AND RELATED DIMS	RAF	2-1-00	M22768A
D	(4A) NOTE 2 WAS MOUNTING TYPE: A	AGJ	5/13/02	41044



NOTE

1 ROTATION:
 STANDARD: WHEN FACING SHAFT END OF MOTOR, SHAFT TO ROTATE:
 CLOCKWISE WHEN PORT "A" IS PRESSURIZED
 COUNTERCLOCKWISE WHEN PORT "B" IS PRESSURIZED

REVERSE: WHEN FACING SHAFT END OF MOTOR, SHAFT TO ROTATE:
 CLOCKWISE WHEN PORT "B" IS PRESSURIZED
 COUNTERCLOCKWISE WHEN PORT "A" IS PRESSURIZED

2 MOUNTING TYPE: AA
 PINION, 6 BOLT: Ø110.0 [4.33] PILOT
 Ø 11.0 [.43] HOLES ON Ø 137.0 [5.39] BOLT CIRCLE
 5.2 [.21] PILOT LENGTH

UNLESS OTHERWISE SPECIFIED ALL DIMENSIONS ARE IN INCHES		DRAWING BASED ON ANSI Y14.5M-1982	
TOLERANCES		THE REPRODUCTION, DISTRIBUTION, AND UTILIZATION OF THIS DOCUMENT, AS WELL AS THE COMBINATION OF ITS CONTENTS TO OTHERS WITHOUT EXPLICIT AUTHORIZATION IS PROHIBITED. OFFENDERS WILL BE HELD LIABLE FOR THE PAYMENT OF DAMAGES. ALL RIGHTS RESERVED IN THE EVENT OF THE GRANT OF A PATENT, UTILITY MODEL, OR DESIGN (PER ISO 1019)	
.x .xx .xxx .xxxx .xxxxx .xxxxxx .xxxxxxx .xxxxxxx		DRAWN BY/DATE GCB 6-26-96	
UNSPECIFIED RADI ARE		CHECKED BY/DATE RAF 6-27-96	
UNSPECIFIED DRAFT ANGLES ARE		ENGR BY/DATE MLB 6-27-96	
DRAWING FORMAT CAD MANUAL		MATERIAL/HEAT TREAT	
THIRD ANGLE PROJECTION		TITLE	
DO NOT SCALE		2000 SERIES MOTOR INST	
ARITHMETICAL AVERAGE		NUMBER	
		A-663-004	
		SCALE 1/1	
		SHEET 1 OF 1	

G K S