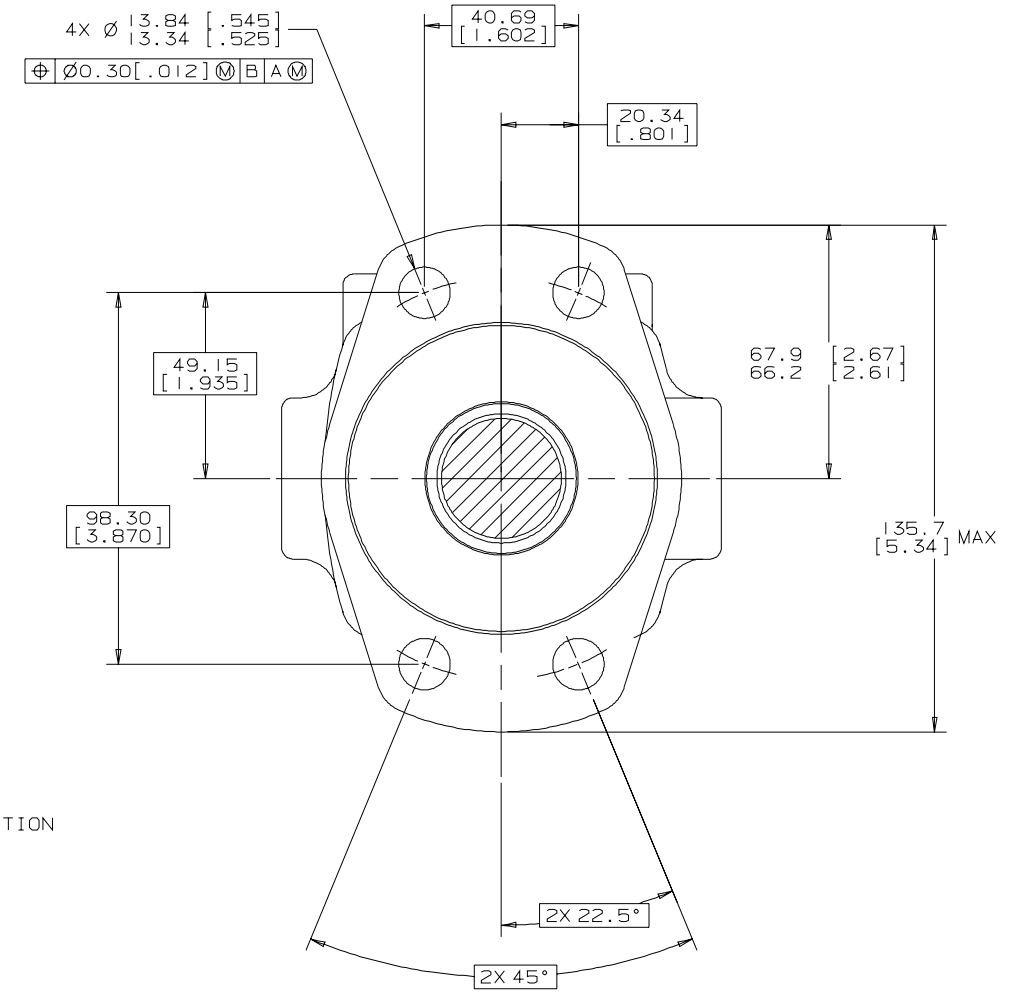
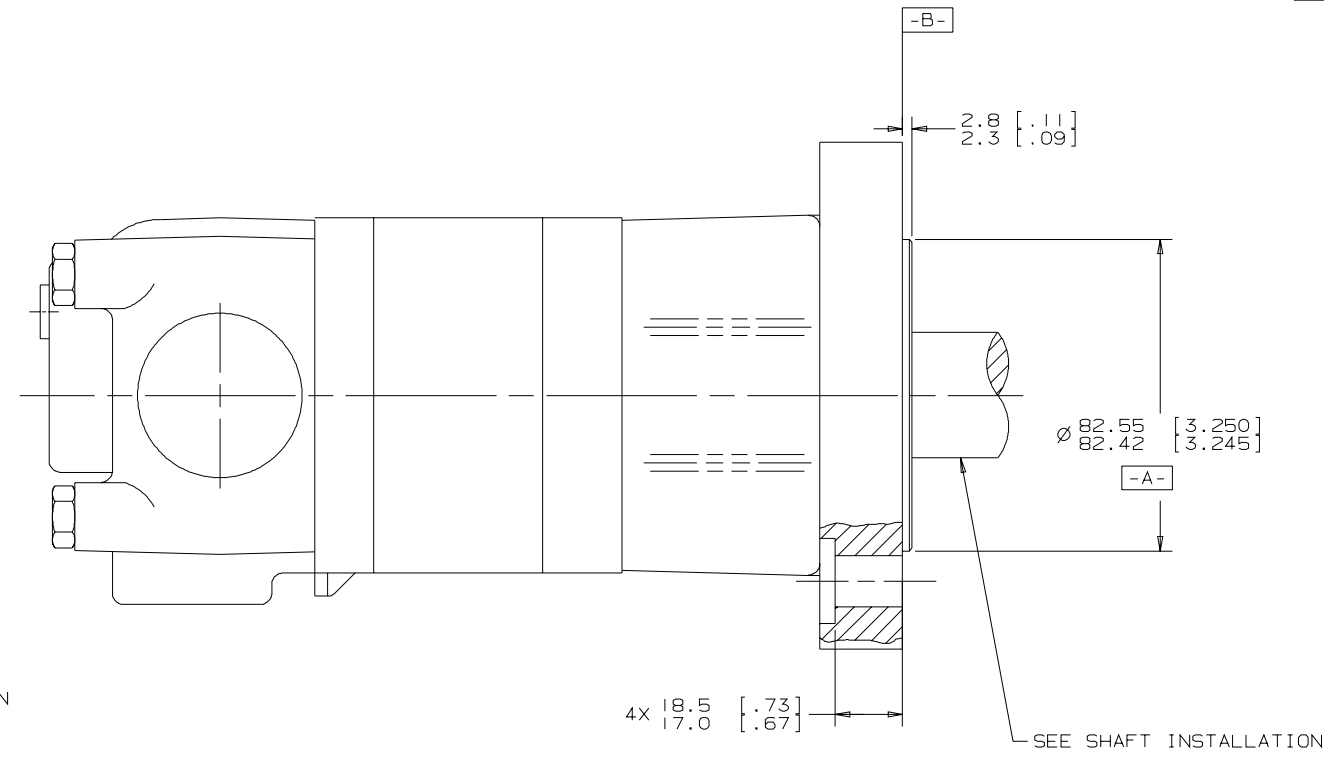
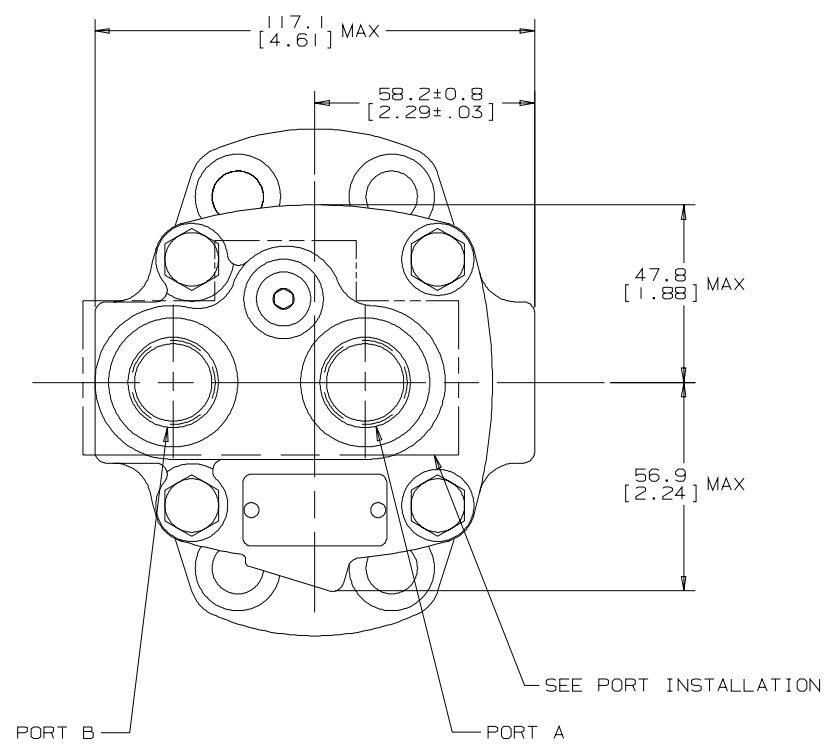


REV	DESCRIPTION	BY	CHK	DATE	ECN
A	ENGINEERING RELEASE	WRD		12-12-96	M16543
B	(4A)NOTE 2 WAS MOUNTING TYPE: J	AGJ		5-13-02	41044



NOTE

1 ROTATION:
 STANDARD: WHEN FACING SHAFT END OF MOTOR, SHAFT TO ROTATE;
 CLOCKWISE WHEN PORT "A" IS PRESSURIZED
 COUNTERCLOCKWISE WHEN PORT "B" IS PRESSURIZED
 REVERSE: WHEN FACING SHAFT END OF MOTOR, SHAFT TO ROTATE;
 CLOCKWISE WHEN PORT "B" IS PRESSURIZED
 COUNTERCLOCKWISE WHEN PORT "A" IS PRESSURIZED

2 MOUNTING TYPE: AJ
 STANDARD (MAGNETO), 4 BOLT: Ø 82.6 [3.25] PILOT
 Ø 13.59 [.535] HOLES ON Ø 106.4 [4.19] BOLT CIRCLE
 2.79 [.110] PILOT LENGTH

G K S

UNLESS OTHERWISE SPECIFIED ALL DIMENSIONS ARE IN		DRAWING BASED ON ANSI Y14.5M-1982	
INCHES <input type="checkbox"/>	MILLIMETERS <input checked="" type="checkbox"/>	THE REPRODUCTION, DISTRIBUTION, AND UTILIZATION OF THIS DOCUMENT, AS WELL AS THE COMBINATION OF ITS CONTENTS TO OTHERS WITHOUT EXPLICIT AUTHORIZATION IS PROHIBITED. OFFENDERS WILL BE HELD LIABLE FOR THE PAYMENT OF DAMAGES. ALL RIGHTS RESERVED IN THE EVENT OF THE GRANT OF A PATENT, UTILITY MODEL, OR DESIGN (PER ISO 1019)	
TOLERANCES		DRAWN BY/DATE WRD 12-18-96	
.X	----	MATERIAL/HEAT TREAT	
.XX	----	CHECKED SDR 1-6-97	
.XXX	----	BY/DATE	
UNSPECIFIED RADI	ARE	ENGRG BY/DATE MB 1-6-97	
UNSPECIFIED DRAFT ANGLES	ARE	METALLURGY	
DRAWING FORMAT	CADD <input type="checkbox"/> MANUAL <input type="checkbox"/>	THIRD ANGLE PROJECTION	
DO NOT SCALE		ARITHMETICAL AVERAGE	
TITLE		2K MOTOR INSTALLATION	
NUMBER		A-671-012	
SCALE		1/1	
SHEET		1 OF 1	

A