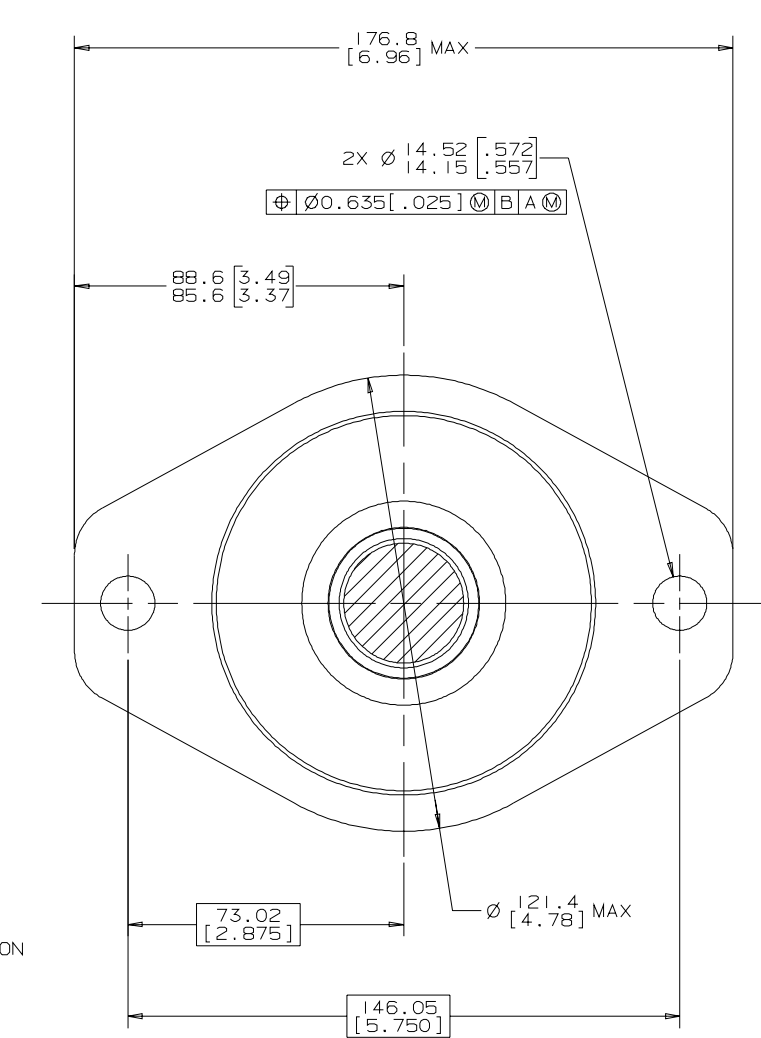
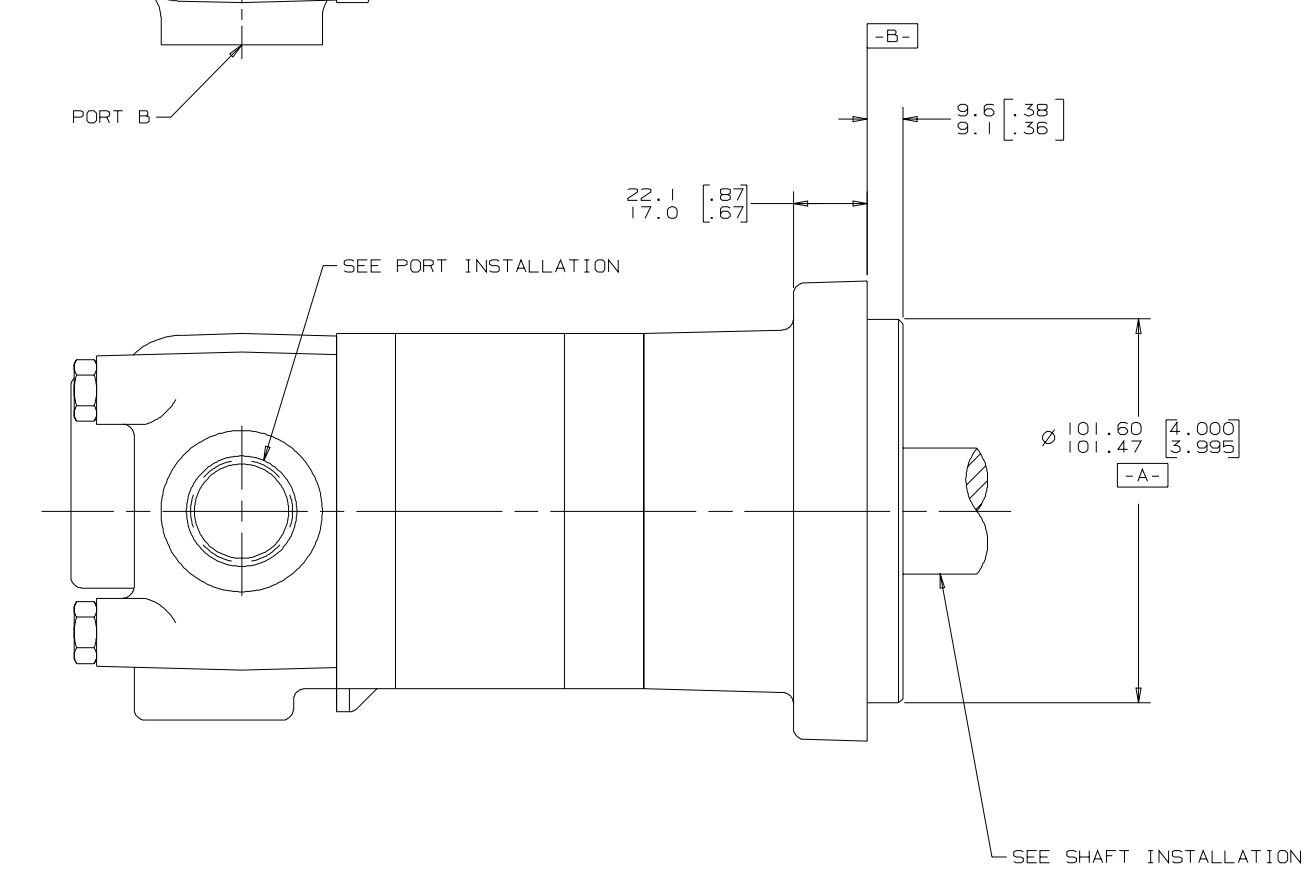
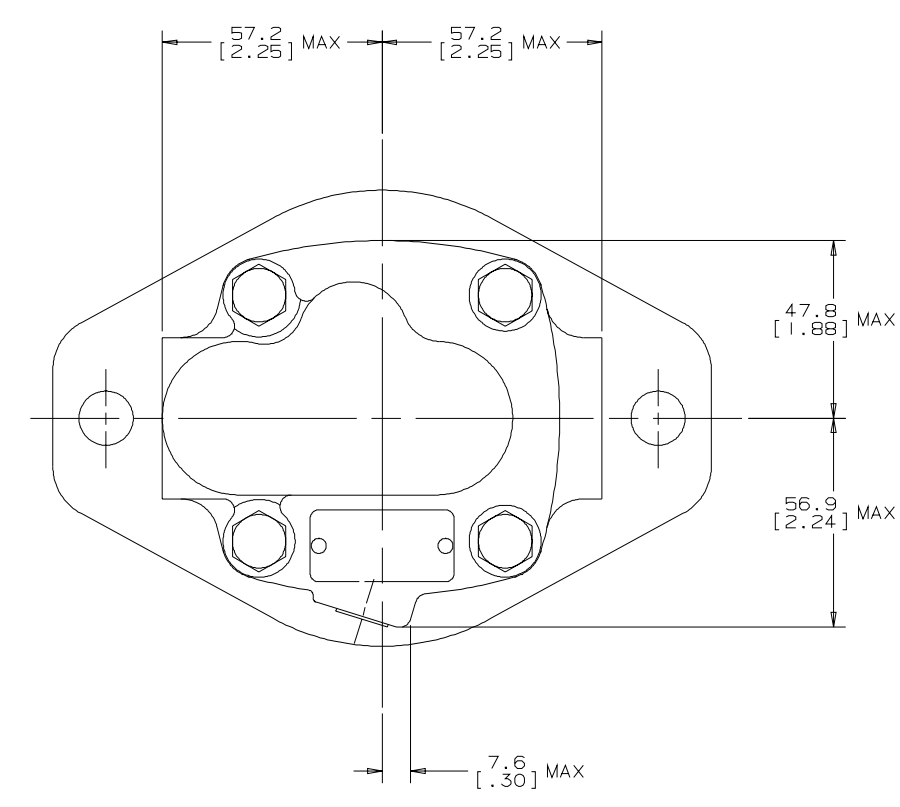
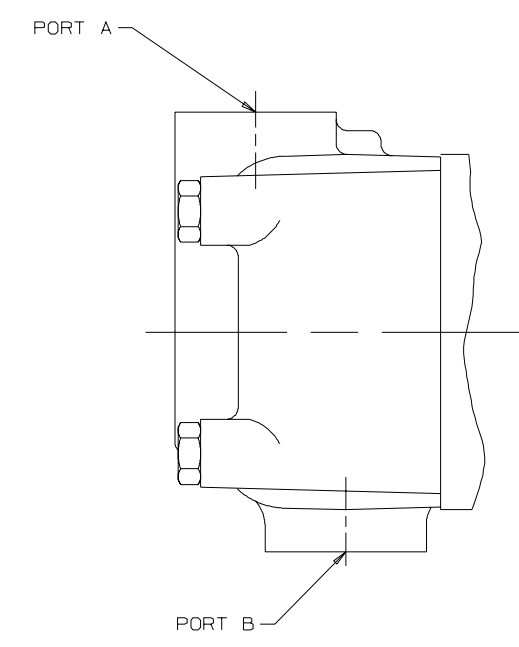


SYM	REVISION	BY	DATE	ECN
A	ENGINEERING RELEASE	AGJ	5-26-93	22833
B	(4A)NOTE 2 WAS MOUNTING TYPE: F	AGJ	5/13/02	41044



NOTE

1 ROTATION:
 STANDARD: WHEN FACING SHAFT END OF MOTOR, SHAFT TO ROTATE:
 CLOCKWISE WHEN PORT "A" IS PRESSURIZED
 COUNTERCLOCKWISE WHEN PORT "B" IS PRESSURIZED
 REVERSE: WHEN FACING SHAFT END OF MOTOR, SHAFT TO ROTATE:
 CLOCKWISE WHEN PORT "B" IS PRESSURIZED
 COUNTERCLOCKWISE WHEN PORT "A" IS PRESSURIZED

2 MOUNTING TYPE: AF
 STANDARD, 2 BOLT: Ø 101.6 [4.00] PILOT
 Ø 14.35 [1.565] HOLES ON Ø 146.0 [5.75]
 BOLT CIRCLE "SAE B"

G K S

UNLESS OTHERWISE SPECIFIED ALL DIMENSIONS ARE IN INCHES [MILLIMETERS]		DRAWING BASED ON ANSI Y14.5M-1982	
TOLERANCES		NOTICE TO PERSONS RECEIVING THIS DRAWING AND / OR TECHNICAL INFORMATION	
.X - - - - -		Edson Corporation claims proprietary rights in the information disclosed herein. This document is issued in confidence and is not to be reproduced or used to manufacture anything shown herein without the written permission of the Edson Corporation.	
.XXX +REF		Edson Corporation Hydraulics Division 15551 Highway 5 Eden Prairie, Mn. 55344	
.XXX +ONLY		DRAWN BY/DATE: A. JOHNSON 3-18-93	
UNSPECIFIED RADII ARE		CHECKED BY/DATE: SDR 6-24-93	
UNSPECIFIED DRAFT ANGLES ARE		ENGRG BY/DATE: SJZ 6-28-93	
DRAWING FORMAT CAD [] MANUAL []		METALLURGY BY/DATE: -	
THIRD ANGLE PROJECTION		TITLE: 2000 SERIES MOTOR INSTALL	
DO NOT SCALE		WIDRINCHES [] NUMBER []	
ARITHMETICAL AVERAGE		WIDMETERS []	
		SCALE: 1/1	
		SHEET 1 OF 1	

A-667-002