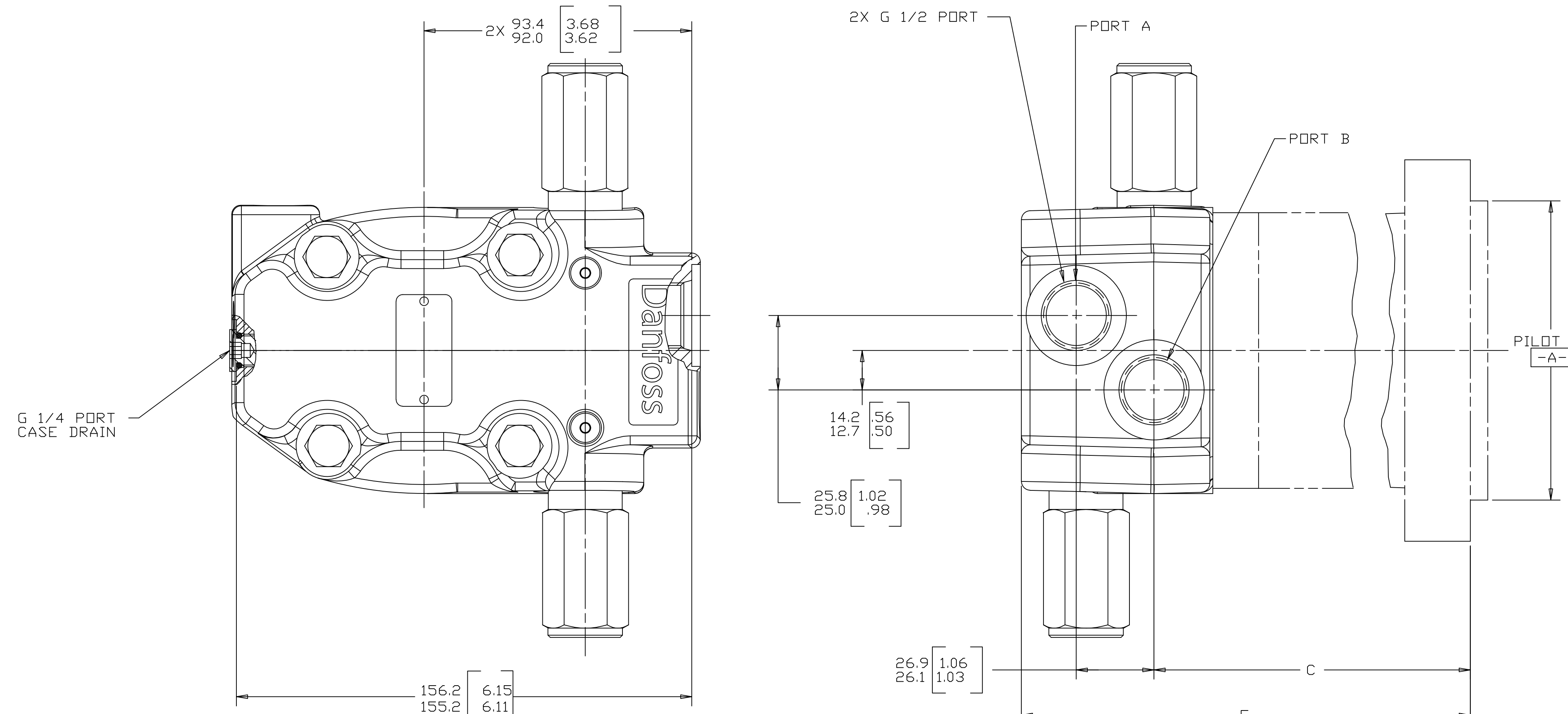
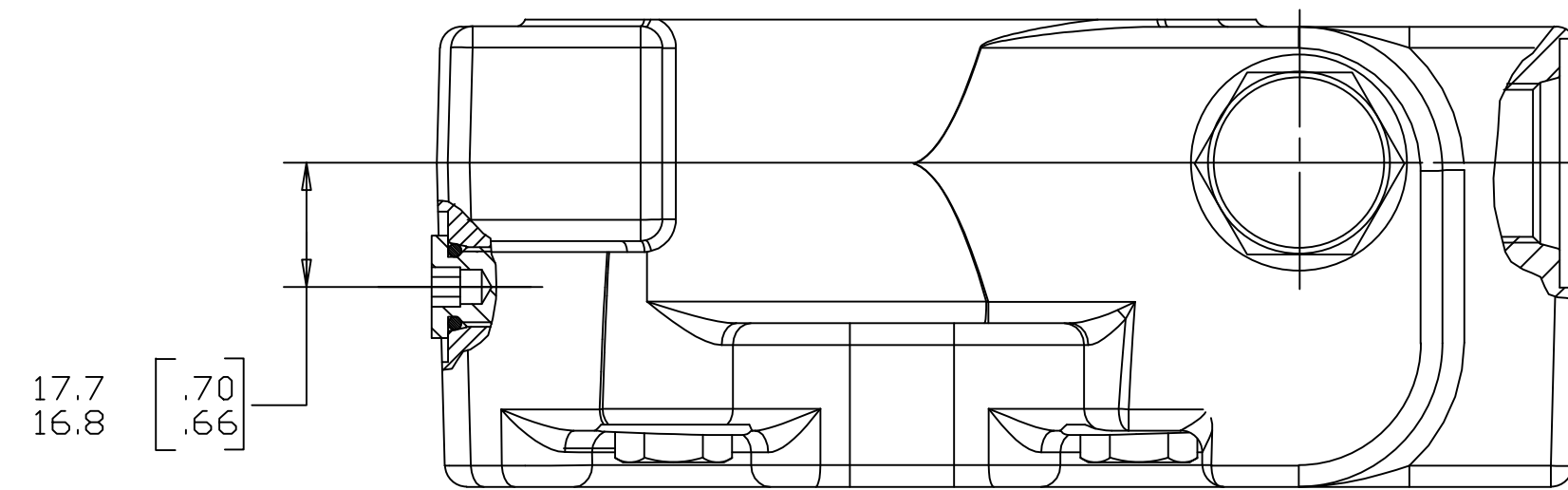


8 MOUNTING TYPE AB,AM,AP,AR,AV,BB,BF,BG,BH			7 MOUNTING TYPE AC,AF,AH,AN,AS,AW,AU,AY,BA,BE,BD			5 MOUNTING TYPE AD,AE,BJ			4 MOUNTING TYPE AJ & BC		
DISP	C	E MAX	DISP	C	E MAX	DISP	C	E MAX	DISP	C	E MAX
049	96.0-97.5 [3.78-3.84]	143.1 [5.63]	049	136.1-137.7 [5.36-5.42]	183.2 [7.21]	049	77.7-80.0 [3.06-3.15]	125.6 [4.94]	049	139.7-141.7 [5.50-5.58]	187.3 [7.37]
055	98.3-99.8 [3.87-3.93]	145.4 [5.72]	055	138.5-140.0 [5.45-5.51]	185.5 [7.30]	055	80.0-82.3 [3.15-3.24]	127.9 [5.03]	055	142.0-144.0 [5.59-5.67]	189.6 [7.46]
062	100.6-102.2 [3.96-4.02]	147.7 [5.82]	062	140.7-142.5 [5.54-5.61]	187.9 [7.40]	062	82.3-84.7 [3.24-3.33]	130.2 [5.13]	062	144.3-146.4 [5.68-5.76]	191.9 [7.56]
080	107.2-108.7 [4.22-4.28]	154.2 [6.07]	080	147.3-148.8 [5.80-5.86]	194.3 [7.65]	080	88.9-91.2 [3.50-3.59]	136.6 [5.38]	080	150.9-152.9 [5.94-6.02]	198.3 [7.81]
096	107.2-108.7 [4.22-4.28]	154.2 [6.07]	096	147.3-148.8 [5.80-5.86]	194.3 [7.65]	096	88.9-91.2 [3.50-3.59]	136.6 [5.38]	096	150.9-152.9 [5.94-6.02]	198.3 [7.81]
119	114.0-115.3 [4.48-4.54]	160.9 [6.33]	119	154.2-155.4 [6.06-6.12]	201.0 [7.91]	119	95.5-97.8 [3.76-3.85]	143.4 [5.64]	119	157.5-159.5 [6.20-6.28]	205.1 [8.07]
149	122.9-124.5 [4.84-4.90]	169.9 [6.69]	149	163.1-164.6 [6.42-6.48]	210.1 [8.27]	149	104.6-106.9 [4.12-4.21]	152.4 [6.00]	149	166.6-168.7 [6.56-6.64]	214.1 [8.43]
187	134.4-135.8 [5.29-5.35]	181.3 [7.14]	187	174.5-175.9 [6.87-6.93]	221.4 [8.72]	187	116.1-118.3 [4.57-4.66]	163.8 [6.45]	187	178.1-180.0 [7.01-7.09]	225.5 [8.88]
240	150.1-151.7 [5.91-5.97]	197.2 [7.77]	240	190.2-191.8 [7.49-7.55]	237.4 [9.35]	240	131.8-134.4 [5.19-5.29]	179.7 [7.08]	240	193.8-195.9 [7.63-7.71]	241.4 [9.51]
298	167.6-169.2 [6.60-6.66]	214.6 [8.45]	298	207.8-209.3 [8.18-8.24]	254.88 [10.03]	298	149.4-151.6 [5.88-5.97]	197.1 [7.76]	298	211.3-213.4 [8.32-8.40]	258.8 [10.19]

REV	DESCRIPTION	BY	CHK	DATE	ECN
A	ENGINEERING RELEASE	SRK		8-23-04	M62520
B	REVISED DISPLACEMENT FOR TABULATION BLOCKS	RG		6-26-06	56090
C	REVISED	SMT	PRK	08-28-09	M76778



- NOTE
- 1 PORT OPTION AG
 - 2 CASE FLOW OPTION: 02

REVIEWED FOR CLASSIFICATION PER ESP-042

DRAWING BASED ON ANSI Y14.5M-1982

UNLESS OTHERWISE SPECIFIED ALL DIMENSIONS ARE IN INCHES MILLIMETERS

TOLERANCES

x ± ----
 .xx ± REF
 .xxx ± ONLY
 < ± ----

UNSPECIFIED RADII ARE ----

UNSPECIFIED DRAFT ANGLES ARE ----

DRAWING FORMAT CADD MANUAL

THIRD ANGLE PROJECTION

DO NOT SCALE

ARITHMETICAL AVERAGE

THE REPRODUCTION, DISTRIBUTION AND UTILIZATION OF THIS DOCUMENT AS WELL AS THE COMMUNICATION OF ITS CONTENTS TO OTHER WITHOUT EXPLICIT AUTHORIZATION IS PROHIBITED. OFFENDERS WILL BE HELD LIABLE FOR THE PAYMENT OF DAMAGES. ALL RIGHT RESERVED IN THE EVENT OF THE GRANT OF A PATENT, UTILITY MODEL OR DESIGN. (PER ISO 16016)

DRAWN BY/DATE SRK 09-03-04

CHECKED BY/DATE AGJ 09-03-04

ENGRG BY/DATE TIM 09-03-04

METALLURGY BY/DATE

MATERIAL/HEAT TREAT

TITLE 2000 SERIES MOTOR PORT INSTALLATION

MICROINCHES NUMBER A-673-047

MILLIMETERS NUMBER

SCALE 1/1 SHEET 1 OF 1

Danfoss