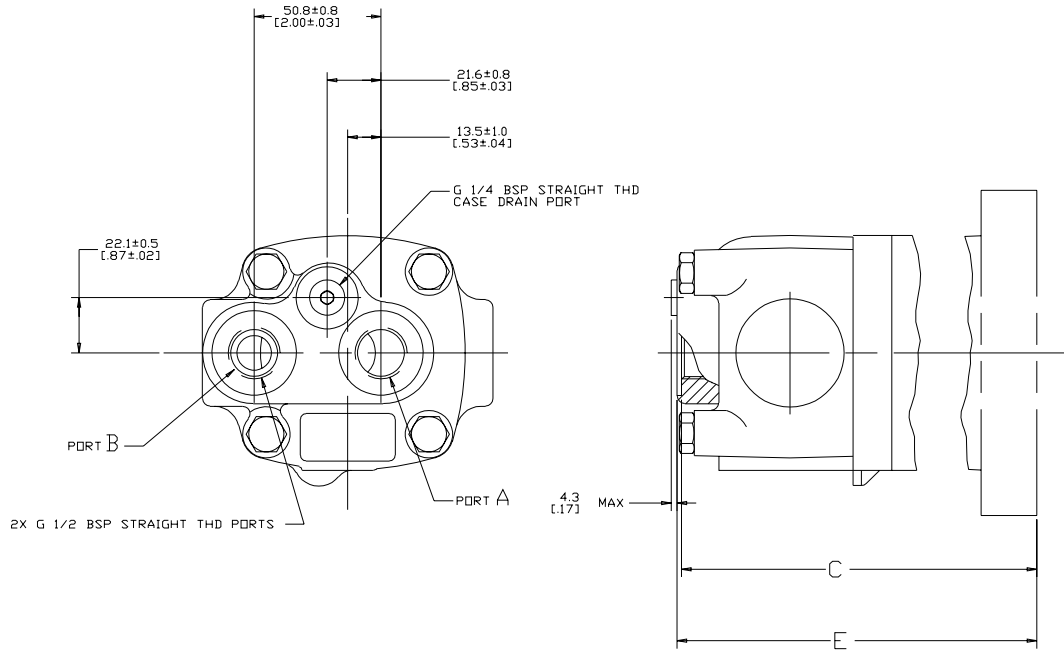


8			7			6			5			4			3		
MOUNTING TYPE(S) AB,AM,AP,AR			MOUNTING TYPE(S) AC,AF,AH,AN,AS,AW,BA,BE			MOUNTING TYPE AD			MOUNTING TYPE AJ			MOUNTING TYPE AL					
DISP	C	E MAX	DISP	C	E MAX	DISP	C	E MAX	DISP	C	E MAX	DISP	C	E MAX			
049	141.7-143.3 [5.58-5.64]	145.3 [5.72]	049	181.9-183.4 [7.16-7.22]	185.4 [7.30]	049	123.4-125.7 [4.86-4.95]	127.8 [5.03]	049	185.4-187.5 [7.30-7.38]	189.5 [7.46]	049	143.8-145.3 [5.66-5.72]	147.3 [5.80]			
062	146.3-148.1 [5.76-5.83]	150.1 [5.91]	062	186.4-188.2 [7.34-7.41]	190.2 [7.49]	062	128.0-130.6 [5.04-5.14]	132.6 [5.22]	062	190.0-192.3 [7.48-7.57]	194.3 [7.65]	062	148.3-150.1 [5.84-5.91]	152.1 [5.99]			
080	152.9-154.4 [6.02-6.08]	156.5 [6.16]	080	193.0-194.6 [7.60-7.66]	196.6 [7.74]	080	134.6-136.9 [5.30-5.39]	138.9 [5.47]	080	196.6-198.6 [7.74-7.82]	200.7 [7.90]	080	154.9-156.5 [6.10-6.16]	158.5 [6.24]			
096	152.9-154.4 [6.02-6.08]	156.5 [6.16]	096	193.0-194.6 [7.60-7.66]	196.6 [7.74]	096	134.6-136.9 [5.30-5.39]	138.9 [5.47]	096	196.6-198.6 [7.74-7.82]	200.7 [7.90]	096	154.9-156.5 [6.10-6.16]	158.5 [6.24]			
119	159.5-161.0 [6.28-6.34]	163.1 [6.42]	119	199.6-201.2 [7.86-7.92]	203.2 [8.00]	119	141.2-143.5 [5.56-5.65]	145.5 [5.73]	119	203.2-205.2 [8.00-8.08]	207.3 [8.16]	119	161.5-163.1 [6.36-6.42]	165.1 [6.50]			
149	168.7-170.2 [6.64-6.70]	172.2 [6.78]	149	208.8-210.3 [8.22-8.28]	212.3 [8.36]	149	150.4-152.7 [5.92-6.01]	154.7 [6.09]	149	212.3-214.4 [8.36-8.44]	216.4 [8.52]	149	170.7-172.2 [6.72-6.78]	174.2 [6.86]			
187	180.1-181.4 [7.09-7.14]	183.4 [7.22]	187	220.1-221.7 [8.66-8.73]	223.7 [8.81]	187	161.6-164.0 [6.36-6.46]	166.1 [6.54]	187	223.6-225.8 [8.80-8.89]	227.8 [8.97]	187	182.1-183.4 [7.17-7.22]	185.4 [7.30]			
240	195.8-197.6 [7.71-7.78]	199.6 [7.86]	240	236.0-237.7 [9.29-9.36]	239.8 [9.44]	240	177.5-180.1 [6.99-7.09]	182.1 [7.17]	240	239.5-241.8 [9.43-9.52]	243.8 [9.60]	240	197.9-199.6 [7.79-7.86]	201.7 [7.94]			
298	213.4-214.9 [8.40-8.46]	216.9 [8.54]	298	253.5-255.0 [9.98-10.04]	257.0 [10.12]	298	195.1-197.4 [7.68-7.77]	199.4 [7.85]	298	257.0-259.12 [10.12-10.20]	261.1 [10.28]	298	215.4-216.9 [8.48-8.54]	218.9 [8.62]			

REV	REVISION	BY	DATE	ECN
A	ENGINEERING RELEASE	RAF	4-18-97	M16947A
B	(8)ADDED MOUNTING TYPE L TO TAB	AGJ	2-25-02	M30122
C	-1)REVISED MOUNTING TAB CODES -2)NOTE 1 WAS PORT OPTION 1 -2)ADDED NOTE 2	AGJ	5-13-02	41044
D	(5B) 4.3(17) MAX -WAS- 3(112) MAX	MGF	4-02-03	43697
E	REVISED TABULATION BLOCKS	AGJ	5-17-04	47918
F	REVISED FOR STACK-UP	SMT	11-01-12	0044656
G	-1X(8)ADDED MOUNTING TYPE AR TO TAB -2)REVISED ALL TABULATION BLOCK	ABH	05-29-14	M92971
H	(6B)(4B) REVISED PICTORIALLY	CSG	02-09-16	M99579



NOTE  
 1 PORT OPTION: AN  
 2 CASE FLOW OPTION: 02

UNLESS OTHERWISE SPECIFIED AS IN DIMENSIONS ARE IN	DRAWING BASED ON ASME Y14.5M-1994	
INCHES <input type="checkbox"/>	MILLIMETERS <input checked="" type="checkbox"/>	THE REPRODUCTION, DISTRIBUTION AND UTILIZATION OF THIS DOCUMENT, AS WELL AS THE COMMUNICATION OF ITS CONTENTS TO OTHERS WITHOUT EXPLICIT AUTHORIZATION IS PROHIBITED. OFFENDERS WILL BE HELD LIABLE FOR THE PAYMENT OF DAMAGES. ALL RIGHTS RESERVED IN THE EVENT OF A PATENT, UTILITY MODEL, OR DESIGN. (PER ISO 10176)
TOLERANCES	DRAWN BY: RAF BY DATE: 4-18-97 CHECKED BY: GCB BY DATE: 4-18-97	MATERIAL/HEAT TREAT
xx + REF	ENGR. BY: VJD BY DATE: 4-18-97	TITLE
xxx + DNL Y	METALLURGY	2000 SERIES MOTOR PORT INSTALLATION
UNSPECIFIED RADI ARE	<input checked="" type="checkbox"/> THIRD ANGLE PROJECTION <input type="checkbox"/> FIRST ANGLE PROJECTION	MICRONS <input type="checkbox"/> MICROINCHES <input checked="" type="checkbox"/> NUMBER
UNSPECIFIED DRAFT ANGLES ARE	DO NOT SCALE	SCALE 1/1 SHEET 1 OF 1
DRAWING FORMAT CASE <input checked="" type="checkbox"/> MANUAL <input type="checkbox"/>		



A-2039-001