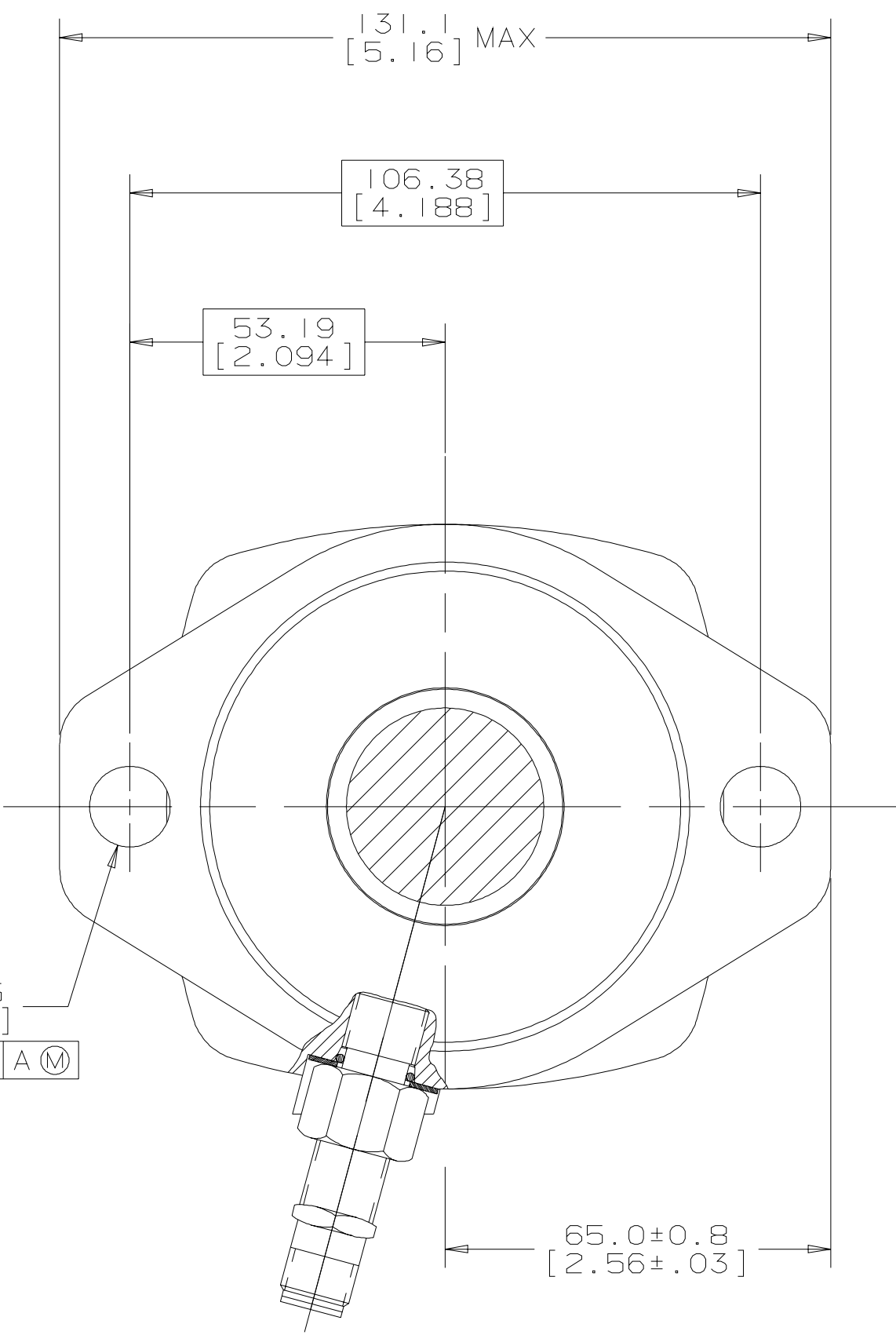
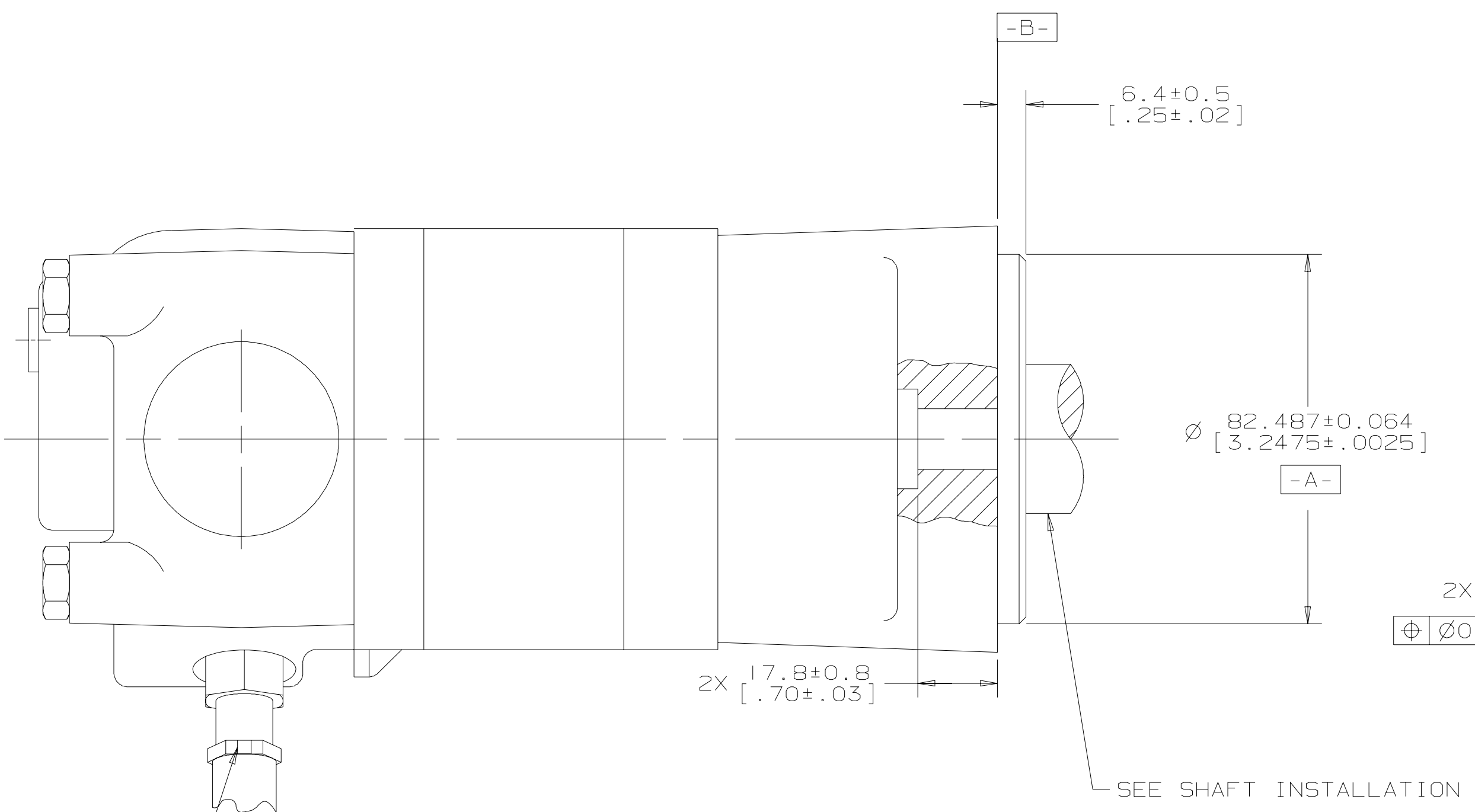
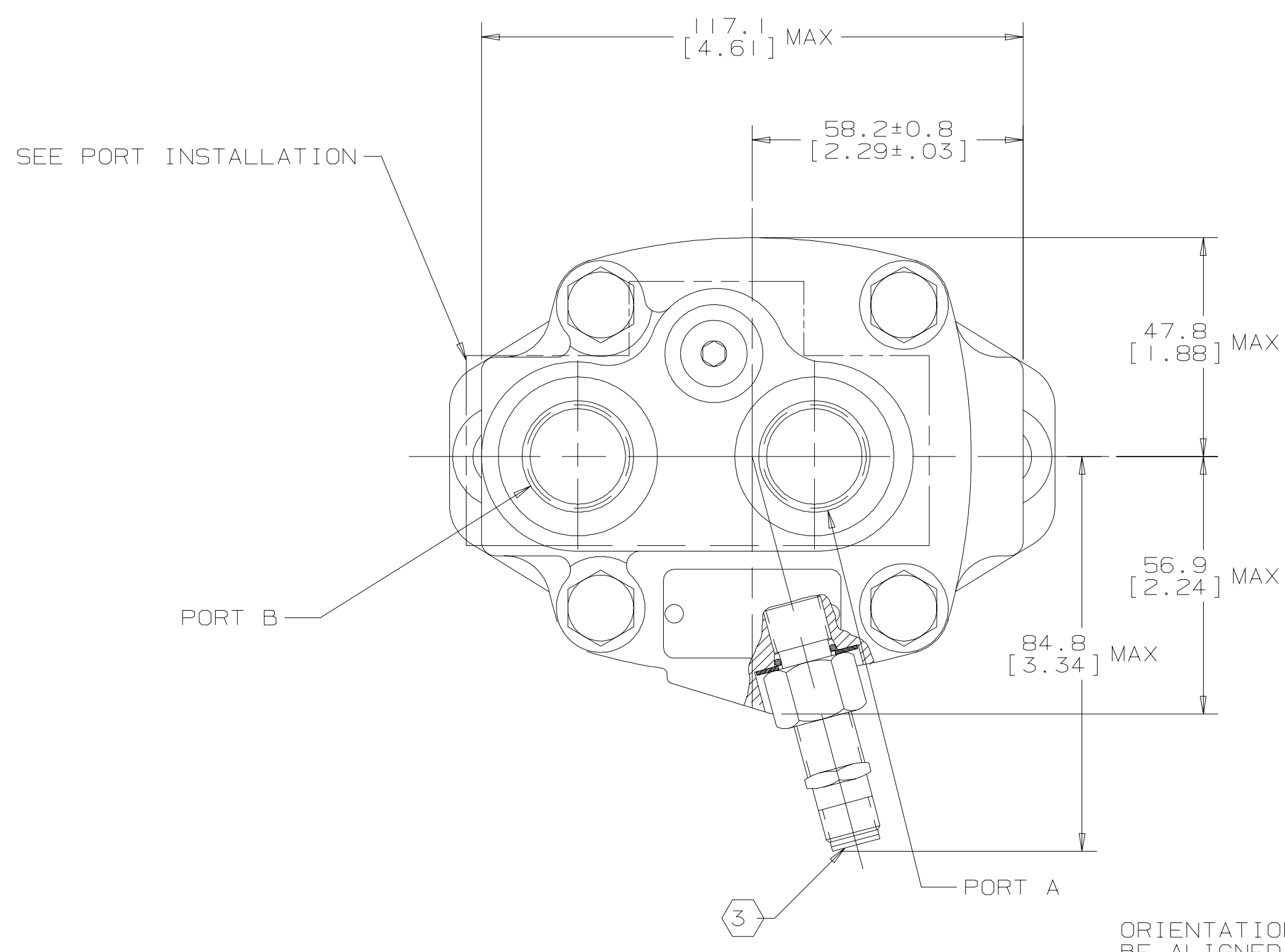


SYM	REVISION	BY	DATE	ECN
A	ENGINEERING RELEASE	PM	7/06/05	M65012



ORIENTATION GROOVE MUST BE ALIGNED AS SHOWN

- NOTE
- ROTATION:
STANDARD: WHEN FACING SHAFT END OF MOTOR, SHAFT TO ROTATE: CLOCKWISE WHEN PORT "A" IS PRESSURIZED COUNTERCLOCKWISE WHEN PORT "B" IS PRESSURIZED
REVERSE: WHEN FACING SHAFT END OF MOTOR, SHAFT TO ROTATE: COUNTERCLOCKWISE WHEN PORT "B" IS PRESSURIZED CLOCKWISE WHEN PORT "A" IS PRESSURIZED
 - MOUNTING TYPE: AC
STANDARD: 2 BOLT: Ø 82.6 [3.25] PILOT
Ø 13.59 [.535] HOLES ON Ø 106.4 [4.19]
BOLT CIRCLE "SAE A"
 - NOMINAL SENSOR OUTPUT WILL BE 30 ELECTRICAL PULSES PER SHAFT REVOLUTION
SUPPLY VOLTAGE: 8 TO 28 Vdc
OUTPUT VOLTAGE: LOW .5 Vdc AT 10 mA; HIGH Vs-I Vdc

G K S

UNLESS OTHERWISE SPECIFIED ALL DIMENSIONS ARE IN INCHES <input type="checkbox"/> MILLIMETERS <input checked="" type="checkbox"/>	DRAWING BASED ON ANSI Y14.5M-1982	
	THE REPRODUCTION, DISTRIBUTION, AND UTILIZATION OF THIS DOCUMENT, AS WELL AS THE COMMUNICATION OF ITS CONTENTS TO OTHERS WITHOUT EXPLICIT AUTHORIZATION IS PROHIBITED. OFFENDERS WILL BE HELD LIABLE FOR THE PAYMENT OF DAMAGES. ALL RIGHTS RESERVED IN THE EVENT OF THE GRANT OF A PATENT, UTILITY MODEL, OR DESIGN. (PER ISO 15916)	
TOLERANCES X XX XXX ONLY	DRAWN BY/DATE: PM 7/07/05 CHECKED BY/DATE: MLL 7/08/05 ENGR BY/DATE: ML 7/08/05	MATERIAL/HEAT TREAT
UNSPECIFIED RADI ARE UNSPECIFIED DRAFT ANGLES ARE	TITLE 2000 SERIES MOTOR INSTALL	NUMBER A-665-053
DRAWING FORMAT CARD <input checked="" type="checkbox"/> MANUAL <input type="checkbox"/>	THIRD ANGLE PROJECTION DO NOT SCALE	SCALE 1/1 SHEET 1 OF 1

