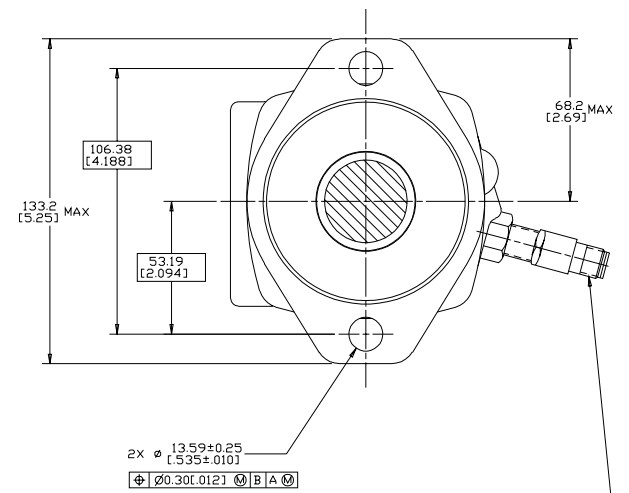
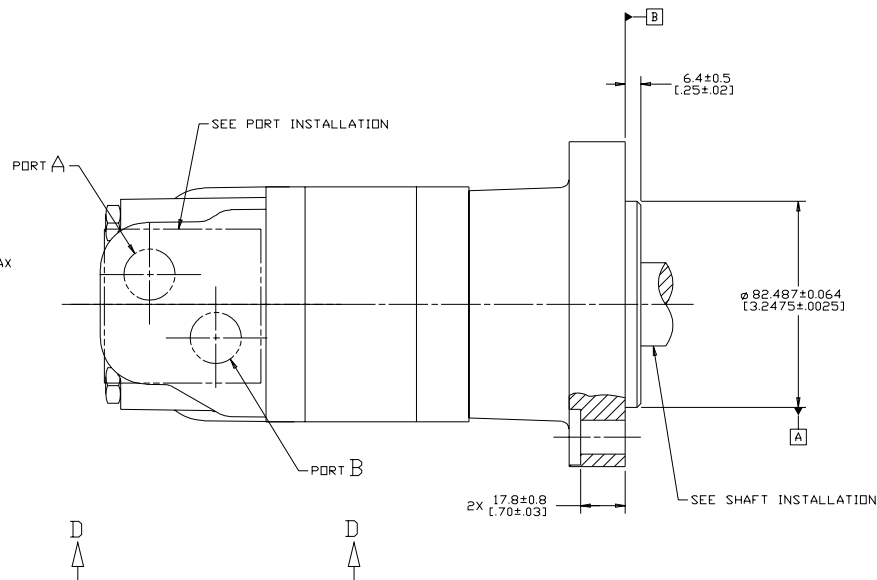
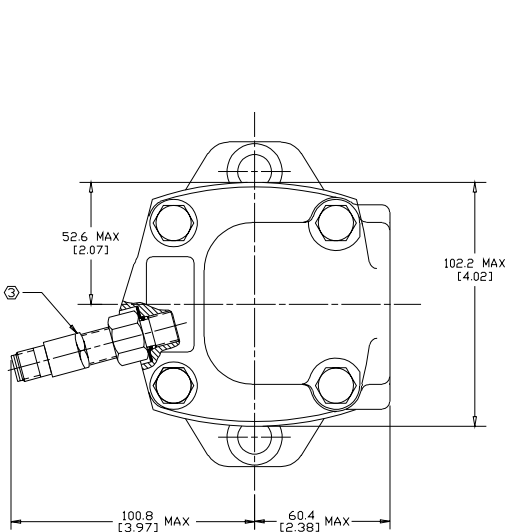
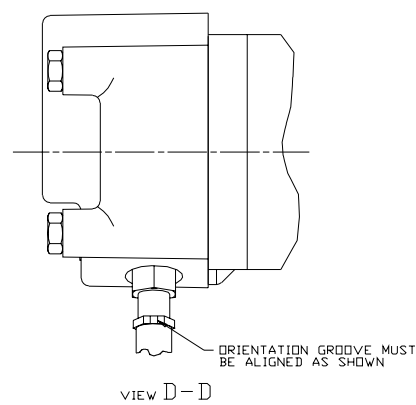


REV	DESCRIPTION	BY	CHK	DATE	ECN
A	ENGINEERING RELEASE	SMM		9-05-00	M24184
B	(4)NOTE 2 WAS MOUNTING TYPE: C	AGJ		5-13-02	41044
C	REVISED PICTORIALY	AGJ		1-15-04	M60746
D	(1)REVISED AS PER STACK UP (2)UPDATED TO ASME Y14.5-2009 STANDARD	NR1	CSG	05-12-14	M92814



CONNECTOR PINS DESIGNED TO MATE WITH TURK EUROFAST WKC V 4.4T CABLE BRAD HARRISON MICRO-CHANGE SINGLE KEYWAY PLUS LUMBERG "MICRO" STYLE 12 mm DC CONNECTOR
 PIN 1 = POWER
 PIN 2 = DIRECTION
 PIN 3 = COMMON
 PIN 4 = SPEED



- NOTE
- 1 ROTATION:
 STANDARD; WHEN FACING SHAFT END OF MOTOR, SHAFT TO ROTATE; CLOCKWISE WHEN PORT "A" IS PRESSURIZED
 SENSOR DIRECTION OUTPUT GOES LOW
 COUNTERCLOCKWISE WHEN PORT "B" IS PRESSURIZED
 SENSOR DIRECTION OUTPUT GOES HIGH
 REVERSE; WHEN FACING SHAFT END OF MOTOR, SHAFT TO ROTATE; CLOCKWISE WHEN PORT "B" IS PRESSURIZED.
 SENSOR DIRECTION OUTPUT GOES LOW
 COUNTERCLOCKWISE WHEN PORT "A" IS PRESSURIZED
 SENSOR DIRECTION OUTPUT GOES HIGH
 - 2 MOUNTING TYPE: AC
 STANDARD, 2 BOLT, ϕ 82.6 [3.25] PILDT
 ϕ 13.59 [5.35] HOLES, DN ϕ 106.4 [4.19]
 BOLT CIRCLE "SAE A"
 - 3 NOMINAL SENSOR OUTPUT WILL BE 60 ELECTRICAL PULSES PER SHAFT REVOLUTION AND DIRECTIONAL SIGNAL
 SUPPLY VOLTAGE: 9 TO 28 Vdc
 OUTPUT VOLTAGE: LOW 5 Vdc AT 10 mA; HIGH Vs-1 Vdc

REVIEWED FOR CLASSIFICATION PER ESP -042

DRAWING BASED ON ASME Y14.5-2009

UNLESS OTHERWISE SPECIFIED, DIMENSIONS ARE IN INCHES MILLIMETERS

TOLERANCES

X	----	DRAWN: SMM 9-25-00	MATERIAL/HEAT TREAT
XX	----	BY DATE	CHECKDATE MLL 9-29-00
XXX	----	BY DATE	JDM 10-02-00
UNSPECIFIED RADI ARE	----	METALLURGY BY DATE	TITLE
UNSPECIFIED DRAFT ANGLES ARE	----	THIRD ANGLE PROJECTION	2000 SERIES MOTOR INSTALL
D SIZE	DO NOT SCALE	ARITHMETICAL AVERAGE	NUMBER

SCALE 1/1 SHEET 1 OF 1

A-665-031

Danfoss