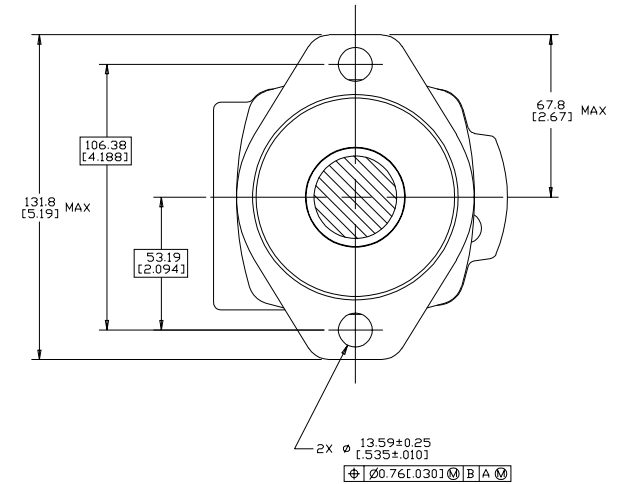
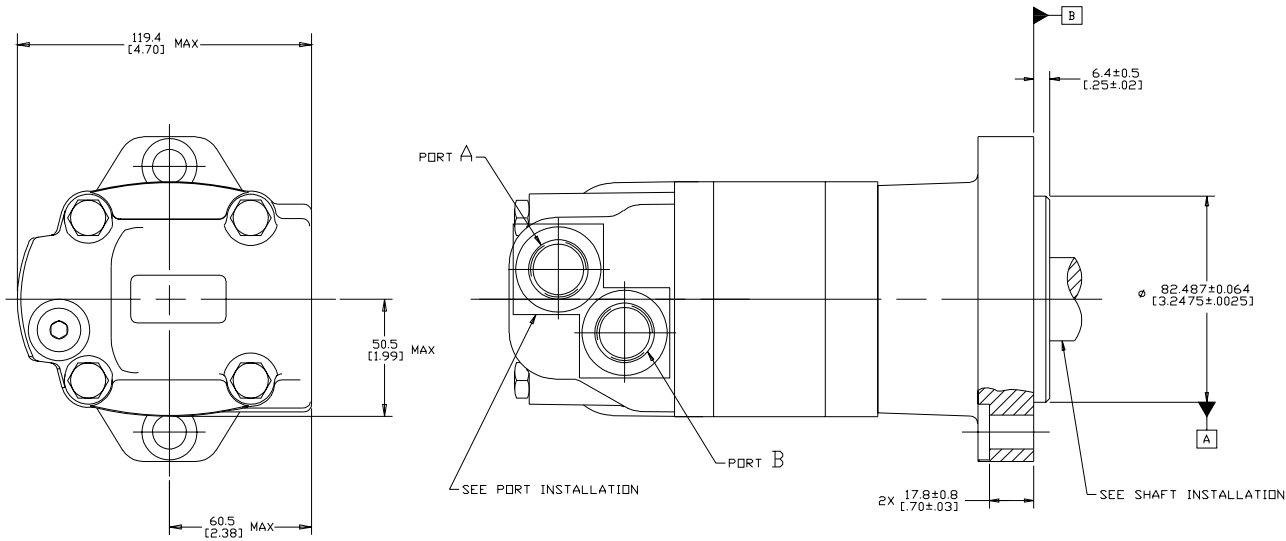


| REV | DESCRIPTION                     | BY  | CHK | DATE     | ECN    |
|-----|---------------------------------|-----|-----|----------|--------|
| A   | ENGINEERING RELEASE             | AGJ |     | 4-6-00   | M23295 |
| B   | <4A>NOTE 2 WAS MOUNTING TYPE: C | AGJ |     | 5-13-02  | 41044  |
| C   | REVISED                         | SMT | AAB | 12-01-11 | M84021 |



NOTE

1 ROTATION:  
 STANDARD: WHEN FACING SHAFT END OF MOTOR, SHAFT TO ROTATE;  
 CLOCKWISE WHEN PORT "A" IS PRESSURIZED  
 COUNTERCLOCKWISE WHEN PORT "B" IS PRESSURIZED  
 REVERSE: WHEN FACING SHAFT END OF MOTOR, SHAFT TO ROTATE;  
 CLOCKWISE WHEN PORT "B" IS PRESSURIZED  
 COUNTERCLOCKWISE WHEN PORT "A" IS PRESSURIZED

2 MOUNTING TYPE: AC  
 STANDARD, 2 BOLT:  $\phi$  82.6 [3.25] PILOT  
 $\phi$  13.59 [0.535] HOLES ON  $\phi$  106.4 [4.19]  
 BOLT CIRCLE "SAE A"

**REVIEWED FOR CLASSIFICATION PER ESP-042**

|                                  |   |   |                           |
|----------------------------------|---|---|---------------------------|
| UNLESS OTHERWISE SPECIFIED AS IN |   | DRAWING BASED ON ASME Y14.5M-1994   |                           |
| INCHES <input type="checkbox"/>  | MILLIMETERS <input checked="" type="checkbox"/> | THE REPRODUCTION, DISTRIBUTION AND UTILIZATION OF THIS DOCUMENT AS WELL AS THE COMMUNICATION OF ITS CONTENTS TO OTHERS WITHOUT EXPRESS AUTHORIZATION IS PROHIBITED. OFFENDERS WILL BE HELD LIABLE FOR THE PAYMENT OF DAMAGES. ALL RIGHTS RESERVED IN THE EVENT OF A PATENT, UTILITY MODEL, OR DESIGN. (PER ISO 19000) |                           |
| TOLERANCES                       | xx + REF  | DRAWN BY DATE   | MATERIAL/HEAT TREAT       |
| x + ----                         | ONLY  | AGJ 4-12-00   |                           |
| ----                             |   | CHECKED BY DATE   |                           |
|                                  |   | MLL 4-15-00   |                           |
| UNSPECIFIED RADI ARE             | UNSPECIFIED DRAFT ANGLES ARE                    | ENGINEER BY DATE  | TITLE                     |
| ----                             | ----  | TRF 4-18-00   | 2000 SERIES MOTOR INSTALL |
|                                  | THIRD ANGLE PROJECTION                          | METALLURGY BY DATE  |                           |
|                                  | DO NOT SCALE                                    |   |                           |
| D SIZE                           |   | NUMERICAL AVERAGE   | SCALE 1/1 SHEET 1 OF 1    |

**Danfoss**

NUMBER **A-665-036**