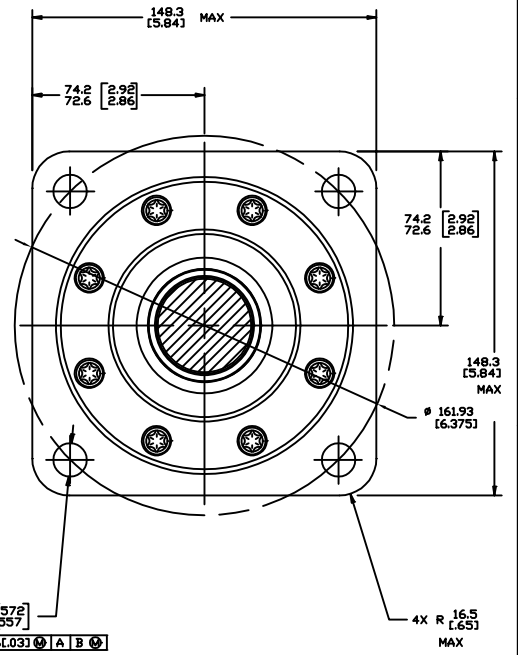
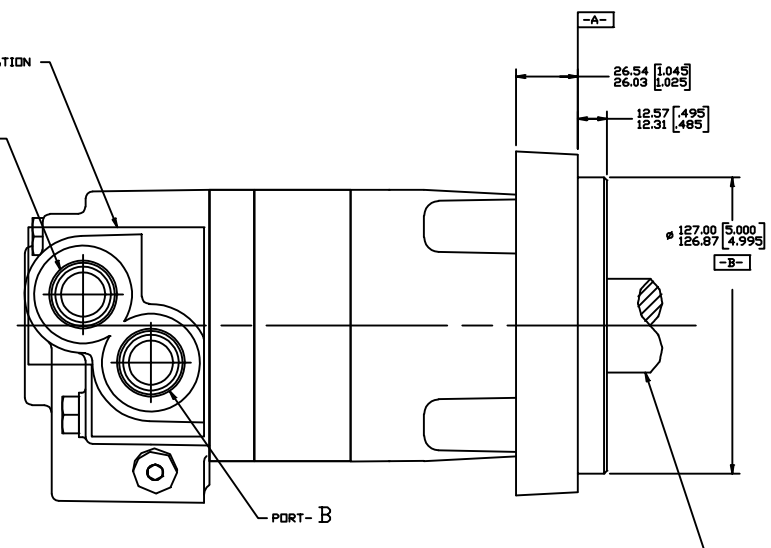
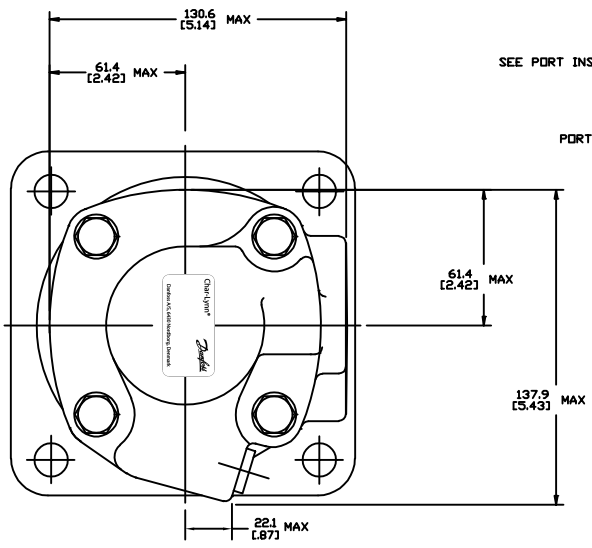


REV	DESCRIPTION	BY	CHK	DATE	ECN
A	ENGINEERING RELEASE	SDR		2-8-92	21551
J	REVISED	SSD		6-28-94	M79455



4X  $\phi$  14.53 [0.572] / 14.15 [0.557]

$\phi$  0.76 [0.031] A B

**NOTE**

1 ROTATION  
 STANDARD; WHEN FACING SHAFT END OF MOTOR, SHAFT TO ROTATE,  
 CLOCKWISE WHEN PORT "A" IS PRESSURIZED,  
 COUNTERCLOCKWISE WHEN PORT "B" IS PRESSURIZED

REVERSE; WHEN FACING SHAFT END OF MOTOR, SHAFT TO ROTATE,  
 COUNTERCLOCKWISE WHEN PORT "B" IS PRESSURIZED,  
 CLOCKWISE WHEN PORT "A" IS PRESSURIZED

2 MOUNTING TYPE: AF  
 STANDARD, 4 BOLT; 127.00 [5.000] PILOT DIA.  
 14.27 [0.562] DIA. HOLES ON 161.92 [6.375]  
 DIA. BOLT CIRCLE, \*SAE C\*

REVIEWED FOR CLASSIFICATION PER ESP -042

DRAWING BASED ON ANSI Y14.5M-1982

UNLESS OTHERWISE SPECIFIED, ALL DIMENSIONS ARE IN MILLIMETERS	THE REPRODUCTION, DISTRIBUTION AND UTILIZATION OF THIS DOCUMENT, AS WELL AS THE COMMUNICATION OF ITS CONTENTS TO OTHERS WITHOUT EXPRESS AUTHORIZATION IS PROHIBITED. OFFENDERS WILL BE HELD LIABLE FOR THE PAYMENT OF DAMAGES. ALL RIGHTS RESERVED IN THE EVENT OF THE GRANT OF A PATENT, UTILITY MODEL, OR DESIGN PROTECTIVE RIGHT.	
UNLESS OTHERWISE SPECIFIED, ALL DIMENSIONS ARE IN MILLIMETERS UNLESS OTHERWISE SPECIFIED, ALL DIMENSIONS ARE IN MILLIMETERS UNLESS OTHERWISE SPECIFIED, ALL DIMENSIONS ARE IN MILLIMETERS		
INDEX <input type="checkbox"/> DIMENSIONS <input type="checkbox"/> TOLERANCES	DATE: SIR 3-14-92 DATE: KR 8-4-92	INTERNAL/HEAT TREAT
UNLESS OTHERWISE SPECIFIED, ALL DIMENSIONS ARE IN MILLIMETERS UNLESS OTHERWISE SPECIFIED, ALL DIMENSIONS ARE IN MILLIMETERS UNLESS OTHERWISE SPECIFIED, ALL DIMENSIONS ARE IN MILLIMETERS	TITLE: 4000 MOTOR INSTALLATION	NUMBER: A-602-000
UNLESS OTHERWISE SPECIFIED, ALL DIMENSIONS ARE IN MILLIMETERS UNLESS OTHERWISE SPECIFIED, ALL DIMENSIONS ARE IN MILLIMETERS UNLESS OTHERWISE SPECIFIED, ALL DIMENSIONS ARE IN MILLIMETERS	DO NOT SCALE	SCALE: 1/1 SHEET 1 OF 1