

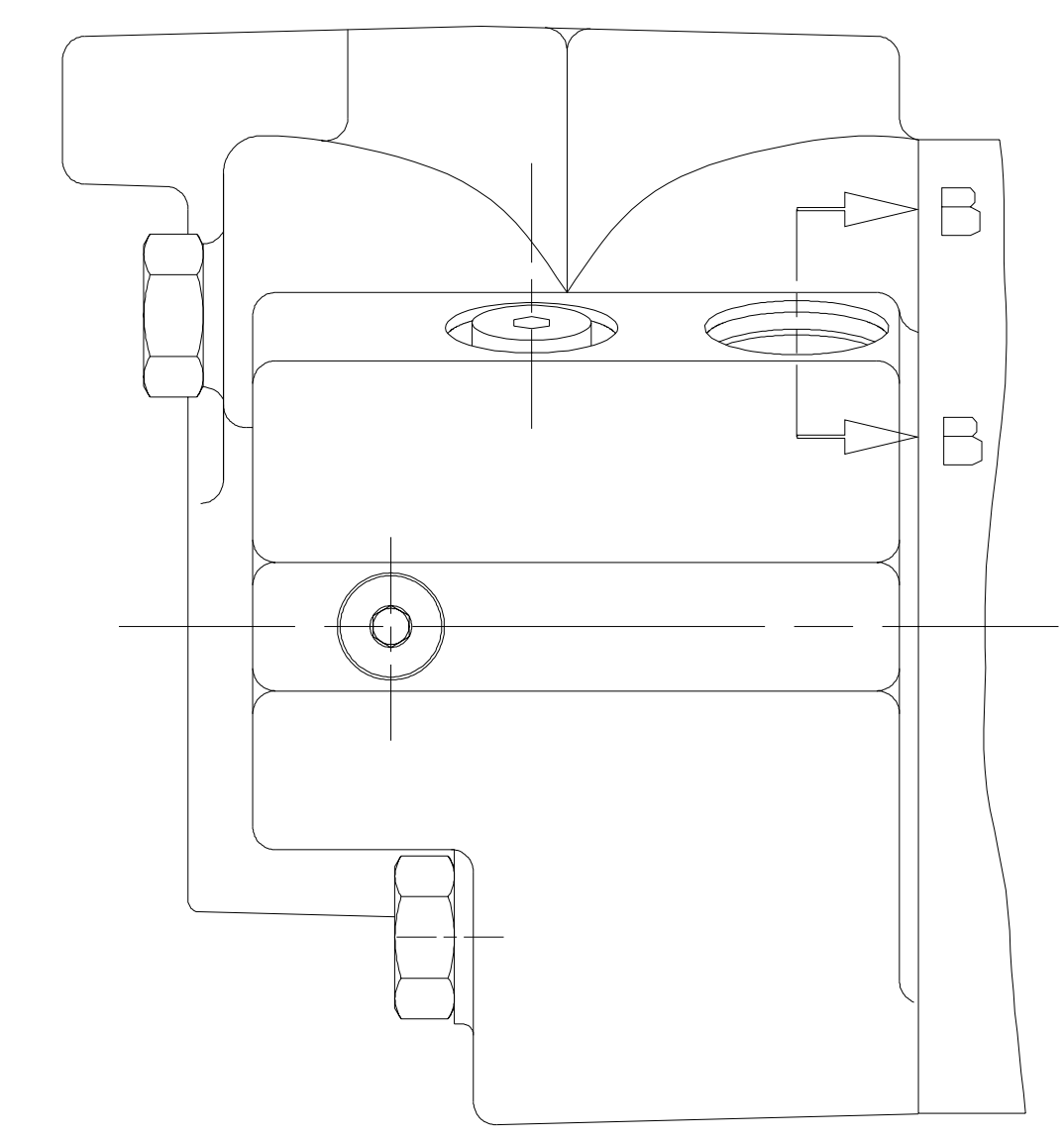
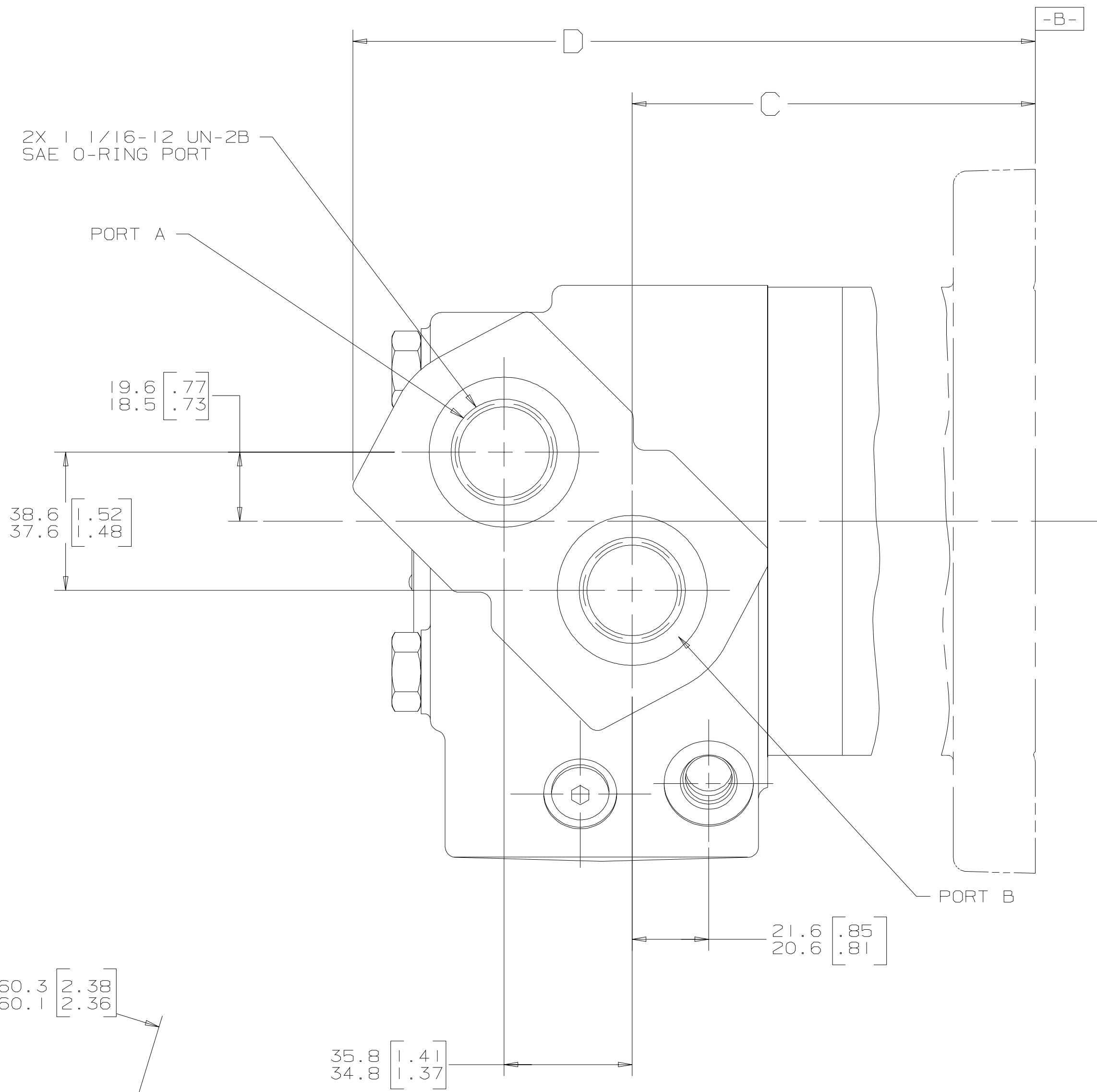
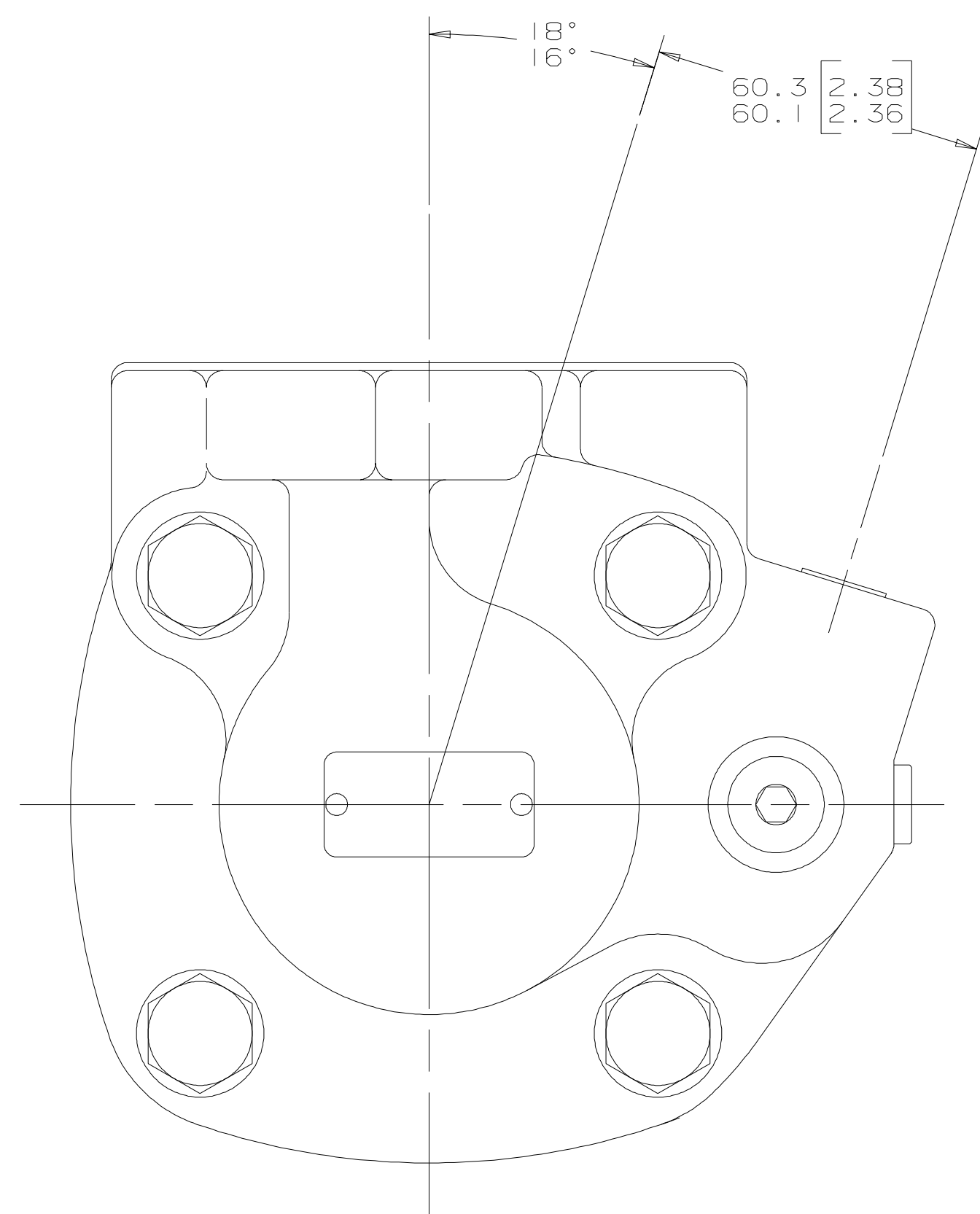
MOUNTING TYPE AA		
DISP	C	D MAX
120	104.3-106.5 [4.11-4.19]	188.0 [7.40]
150	109.9-112.1 [4.33-4.41]	193.6 [7.62]
190	117.3-119.4 [4.62-4.70]	200.7 [7.90]
239	126.2-128.3 [4.97-5.05]	209.6 [8.25]
300	137.1-139.2 [5.40-5.48]	220.8 [8.69]
381	151.8-154.0 [5.98-6.06]	235.5 [9.27]
490	171.7-173.7 [6.76-6.84]	255.3 [10.05]
600	191.7-193.9 [7.55-7.63]	275.1 [10.83]

MOUNTING TYPE AB, AE & AJ		
DISP	C	D MAX
120	185.9-189.5 [7.32-7.46]	270.1 [10.63]
150	191.5-195.1 [7.54-7.68]	275.6 [10.85]
190	198.8-202.5 [7.83-7.97]	283.0 [11.14]
239	207.5-211.1 [8.17-8.31]	291.6 [11.48]
300	218.6-222.3 [8.61-8.75]	302.8 [11.92]
381	234.4-235.5 [9.23-9.27]	317.5 [12.50]
490	254.3-255.3 [10.01-10.05]	337.3 [13.28]
600	273.0-276.9 [10.75-10.90]	357.4 [14.07]

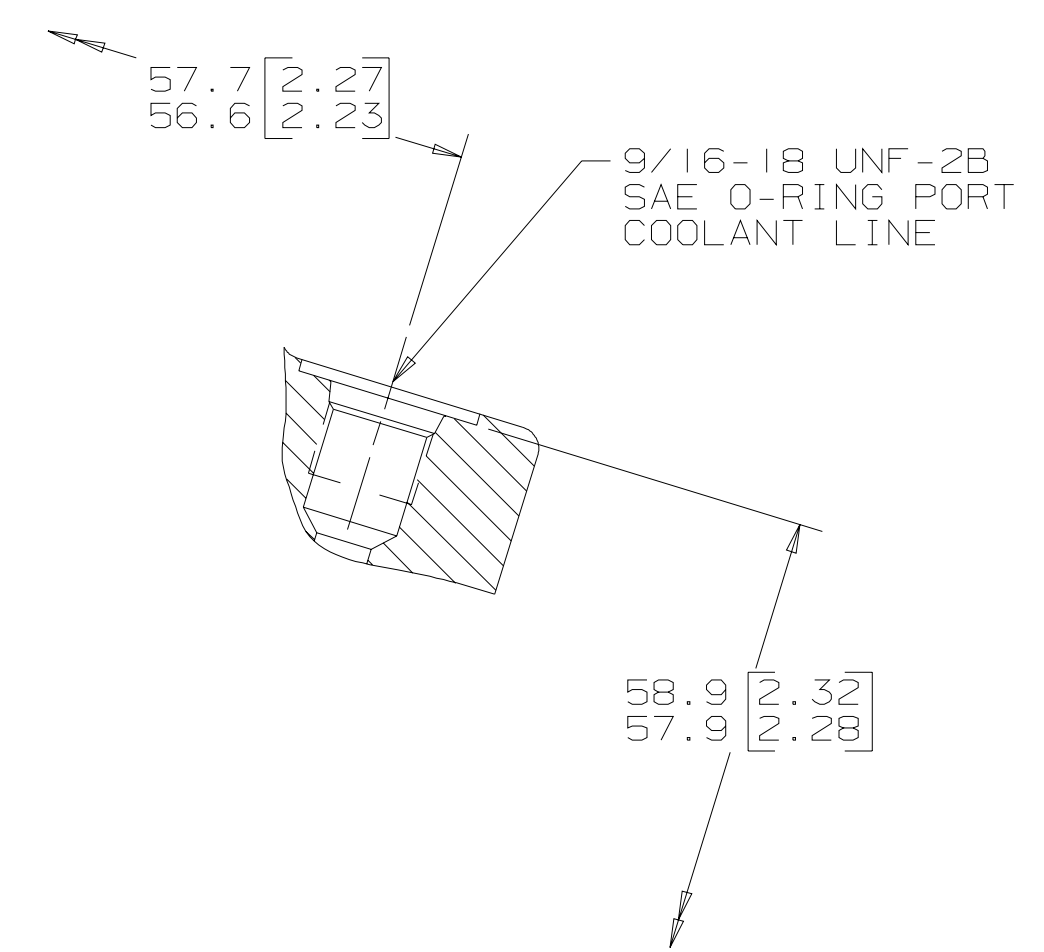
MOUNTING TYPE AC		
DISP	C	D MAX
120	102.1-103.1 [4.02-4.06]	184.2 [7.25]
150	107.7-108.7 [4.24-4.28]	189.7 [7.47]
190	115.1-116.1 [4.53-4.57]	196.8 [7.75]
239	123.7-125.0 [4.87-4.92]	206.2 [8.12]
300	134.9-135.9 [5.31-5.35]	216.9 [8.54]
381	149.6-150.6 [5.89-5.93]	232.2 [9.14]
490	169.4-170.4 [6.67-6.71]	251.9 [9.92]
600	189.2-190.5 [7.45-7.50]	271.3 [10.68]

MOUNTING TYPE AD		
DISP	C	D MAX
120	186.9-188.0 [7.36-7.40]	265.2 [10.44]
150	192.5-193.6 [7.58-7.62]	270.1 [10.66]
190	199.8-200.9 [7.86-7.91]	278.1 [10.95]
239	208.6-209.7 [8.21-8.26]	286.9 [11.30]
300	219.6-220.8 [8.65-8.69]	298.0 [11.73]
381	234.3-235.5 [9.22-9.27]	312.7 [12.31]
490	254.0-255.3 [10.00-10.05]	332.5 [13.09]
600	274.0-275.2 [10.97-10.84]	352.4 [13.88]

MOUNTING TYPE AL		
DISP	C	D MAX
120	100.1-101.1 [3.94-3.98]	182.1 [7.17]
150	105.7-106.7 [4.16-4.20]	187.7 [7.39]
190	113.0-114.0 [4.45-4.49]	194.8 [7.67]
239	121.7-122.9 [4.79-4.84]	204.2 [8.04]
300	132.8-133.9 [5.23-5.27]	214.9 [8.46]
381	147.6-148.6 [5.81-5.85]	230.1 [9.06]
490	167.4-168.4 [6.59-6.63]	249.9 [9.84]
600	187.2-188.5 [7.37-7.42]	269.2 [10.60]



REV	DESCRIPTION	BY	CHK	DATE	ECN
A	ENGINEERING RELEASE	AGJ		2-17-99	M21220A
B	REVISED PICTORIALY	AGJ		5-10-01	38066
C	ADDED MOUNTING TYPE "L"	SMM		09-11-01	M26280
D	REVISED	JSB		12-11-06	0001664



SECTION B-B

NOTE  
1 PORT OPTION AD

G K S

UNLESS OTHERWISE SPECIFIED ALL DIMENSIONS ARE IN: INCHES <input type="checkbox"/> MILLIMETERS <input checked="" type="checkbox"/>		DRAWING BASED ON ANSI Y14.5M-1982	
TOLERANCES .X +----- .XX +----- .XXX +----- <-----		THE REPRODUCTION, DISTRIBUTION, AND UTILIZATION OF THIS DOCUMENT, AS WELL AS THE COMMUNICATION OF ITS CONTENTS TO OTHERS WITHOUT EXPLICIT AUTHORIZATION IS PROHIBITED. OFFENDERS WILL BE HELD LIABLE FOR THE PAYMENT OF DAMAGES. ALL RIGHTS RESERVED IN THE EVENT OF THE GRANT OF A PATENT, UTILITY MODEL, OR DESIGN. (PER ISO 16016)	
UNSPECIFIED RADI ARE		DRWN BY/DATE AGJ 2-24-99	MATERIAL/HEAT TREAT
UNSPECIFIED DRAFT ANGLES ARE		CHECKED GCB 3-2-99	
DRAWING FORMAT CADD <input checked="" type="checkbox"/> MANUAL <input type="checkbox"/>		ENGR BY/DATE TRF 3-2-99	TITLE 6000 SERIES MOTOR PORT INSTALLATION
THIRD ANGLE PROJECTION		METALLURGY	NUMBER A-1024-014
DO NOT SCALE		SCALE 1/1	SHEET 1 OF 1

