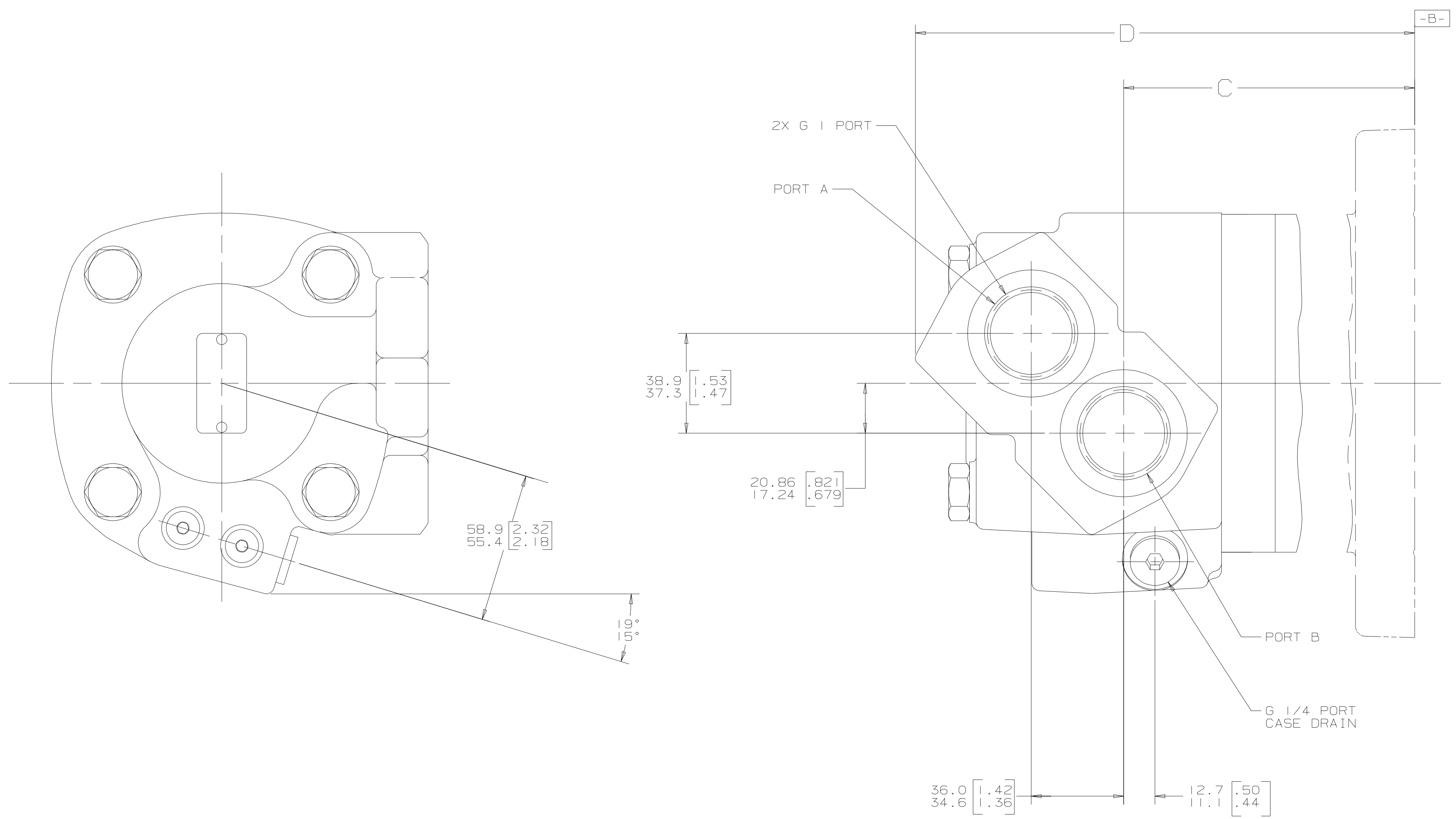


MOUNTING TYPE AA			MOUNTING TYPE AB & AE			MOUNTING TYPE AC			MOUNTING TYPE AH			MOUNTING TYPE AN		
DISP	C	D MAX	DISP	C	D MAX	DISP	C	D MAX	DISP	C	D MAX	DISP	C	D MAX
120	104.8-106.2 [4.13-4.18]	188.4 [7.42]	120	186.7-188.2 [7.35-7.41]	270.4 [10.65]	120	101.9-103.4 [4.01-4.07]	185.6 [7.31]	120	168.6-170.2 [6.64-6.70]	252.4 [9.94]	120	178.8-180.9 [7.04-7.12]	263.1 [10.36]
150	110.4-111.8 [4.35-4.40]	194.0 [7.64]	150	192.3-193.8 [7.57-7.63]	276.0 [10.87]	150	107.5-109.1 [4.23-4.29]	191.3 [7.53]	150	174.3-175.8 [6.86-6.92]	258.0 [10.16]	150	184.4-186.5 [7.26-7.34]	268.7 [10.58]
190	117.7-119.0 [4.63-4.69]	201.2 [7.92]	190	199.6-201.1 [7.86-7.92]	283.3 [11.15]	190	114.8-116.3 [4.52-4.58]	198.5 [7.82]	190	181.5-183.1 [7.15-7.21]	265.3 [10.44]	190	191.7-193.7 [7.55-7.63]	275.9 [10.86]
239	126.5-127.9 [4.98-5.03]	210.1 [8.27]	239	208.4-209.9 [8.20-8.26]	292.1 [11.50]	239	123.6-125.1 [4.87-4.93]	207.3 [8.16]	239	190.3-191.9 [7.49-7.55]	274.1 [10.79]	239	200.5-202.6 [7.89-7.97]	284.8 [11.21]
300	137.6-138.9 [5.42-5.47]	221.1 [8.71]	300	219.4-221.0 [8.64-8.70]	303.2 [11.94]	300	134.6-136.2 [5.30-5.36]	218.4 [8.60]	300	201.4-202.9 [7.93-7.99]	285.1 [11.23]	300	211.5-213.6 [8.33-8.41]	295.8 [11.65]
381	152.3-153.6 [5.99-6.05]	235.8 [9.28]	381	234.1-235.7 [9.22-9.28]	317.9 [12.52]	381	149.3-150.9 [5.88-5.94]	233.1 [9.18]	381	216.1-217.6 [8.51-8.57]	299.8 [11.81]	381	226.2-228.3 [8.91-8.99]	310.5 [12.23]
450	164.9-166.2 [6.49-6.54]	248.4 [9.78]	450	246.7-248.3 [9.71-9.77]	330.5 [13.01]	450	161.9-163.5 [6.38-6.44]	245.7 [9.67]	450	228.7-230.2 [9.00-9.06]	312.4 [12.30]	450	238.8-240.9 [9.40-9.48]	323.1 [12.72]
490	172.1-173.5 [6.78-6.83]	255.7 [10.07]	490	254.0-255.5 [10.00-10.06]	337.7 [13.30]	490	169.2-170.8 [6.66-6.72]	253.0 [9.96]	490	236.0-237.5 [9.29-9.35]	319.7 [12.59]	490	246.1-248.2 [9.69-9.77]	330.4 [13.01]
600	192.0-193.3 [7.56-7.61]	275.5 [10.85]	600	273.8-275.4 [10.78-10.84]	357.6 [14.08]	600	189.1-190.6 [7.44-7.50]	272.8 [10.74]	600	255.8-257.4 [10.07-10.13]	339.6 [13.37]	600	266.0-268.0 [10.47-10.55]	350.2 [13.79]

REV	DESCRIPTION	BY	CHK	DATE	ECN
A	ENGINEERING RELEASE	RAF		8-30-95	M14044
B	(5D) ADDED MTG TYPE "H" TO TAB BLOCK	AGJ		4-28-98	M19497
C	ADDED DISP CODE "49" TO ALL TABS	AGJ		5-11-98	M19602
D	ADDED DISP CODE "45" TO ALL TABS	VJP		10-17-05	M65687
E	REVISED	JSB		12-11-06	0001664
F	(3D) ADDED MTG TYPE "AN" TO TAB BLOCK	KNR		05-19-08	M73120
G	REVISED	HRK	KKS	7-08-09	18023



NOTE
1 PORT OPTION AC

UNLESS OTHERWISE SPECIFIED ALL DIMENSIONS ARE IN: INCHES <input type="checkbox"/> MILLIMETERS <input checked="" type="checkbox"/>		DRAWING BASED ON ANSI Y14.5M-1982	
TOLERANCES .X +--- .XX +REF .XXX +ONLY <---		THE REPRODUCTION, DISTRIBUTION, AND UTILIZATION OF THIS DOCUMENT, AS WELL AS THE COMMUNICATION OF ITS CONTENTS TO OTHERS WITHOUT EXPLICIT AUTHORIZATION IS PROHIBITED. OFFENDERS WILL BE HELD LIABLE FOR THE PAYMENT OF DAMAGES. ALL RIGHTS RESERVED IN THE EVENT OF THE GRANT OF A PATENT, UTILITY MODEL, OR DESIGN. (PER ISO 18016)	
UNSPECIFIED RADI ARE ---		DRWN BY/DATE RAF 9-1-95	MATERIAL/HEAT TREAT
UNSPECIFIED DRAFT ANGLES ARE ---		CHECKED SDR 9-18-95	
DRAWING FORMAT CADD <input checked="" type="checkbox"/> MANUAL <input type="checkbox"/>		ENGR BY/DATE WCW 9-18-95	TITLE 6000 SERIES MOTOR PORT INSTALLATION
THIRD ANGLE PROJECTION		METALLURGY BY/DATE	NUMBER A-1024-003
DO NOT SCALE		SCALE 1/1	SHEET 1 OF 1