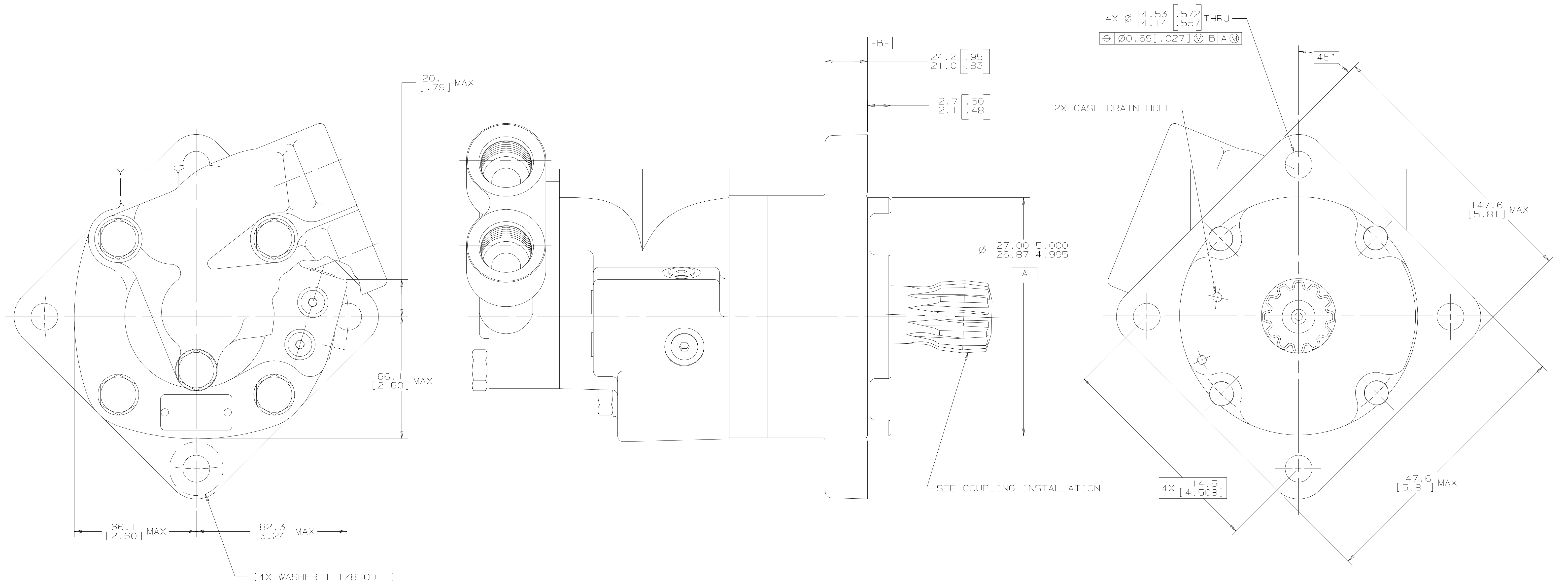


REV	DESCRIPTION	BY	CHK	DATE	ECN
A	ENGINEERING RELEASE	RAF		8-30-95	M14044
B	(4A) MOUNTING TYPE WAS "A"	SSD		12-11-06	0001664



NOTE

1 ROTATION

STANDARD: WHEN FACING SHAFT END OF MOTOR, SHAFT TO ROTATE: CLOCKWISE WHEN PORT "A" IS PRESSURIZED COUNTERCLOCKWISE WHEN PORT "B" IS PRESSURIZED

REVERSE: WHEN FACING SHAFT END OF MOTOR, SHAFT TO ROTATE: COUNTERCLOCKWISE WHEN PORT "B" IS PRESSURIZED CLOCKWISE WHEN PORT "A" IS PRESSURIZED

2 MOUNTING TYPE: AA

BEARINGLESS, 4 BOLT: $\phi 127.0$ [5.00] PILOT $\phi 14.35$ [.565] HOLES ON $\phi 162.0$ [6.38] BOLT CIRCLE

UNLESS OTHERWISE SPECIFIED ALL DIMENSIONS ARE IN		DRAWING BASED ON ANSI Y14.5M-1982	
INCHES <input type="checkbox"/>	MILLIMETERS <input checked="" type="checkbox"/>	THE REPRODUCTION, DISTRIBUTION, AND UTILIZATION OF THIS DOCUMENT, AS WELL AS THE COMMUNICATION OF ITS CONTENTS TO OTHERS WITHOUT EXPLICIT AUTHORIZATION IS PROHIBITED. OFFENDERS WILL BE HELD LIABLE FOR THE PAYMENT OF DAMAGES. ALL RIGHTS RESERVED IN THE EVENT OF THE GRANT OF A PATENT, UTILITY MODEL, OR DESIGN. (PER ISO 16016)	
TOLERANCES			
.XX ±REF	CHECKED BY/DATE	MATERIAL/HEAT TREAT	
.XXX ±ONLY	ENGRG. BY/DATE	TITLE	
UNSPECIFIED RADI ARE	METALLURGY BY/DATE	6000 SERIES MOTOR INSTALL	
UNSPECIFIED DRAFT ANGLES ARE	THIRD ANGLE PROJECTION	MICROINCHES (MICROINCHES)	NUMBER
DRAWING FORMAT CAD <input checked="" type="checkbox"/> MANUAL <input type="checkbox"/>	DO NOT SCALE	ARTHEMETICAL AVERAGE	A-1014-003
		SCALE 1/1	SHEET 1 OF 1

G K S