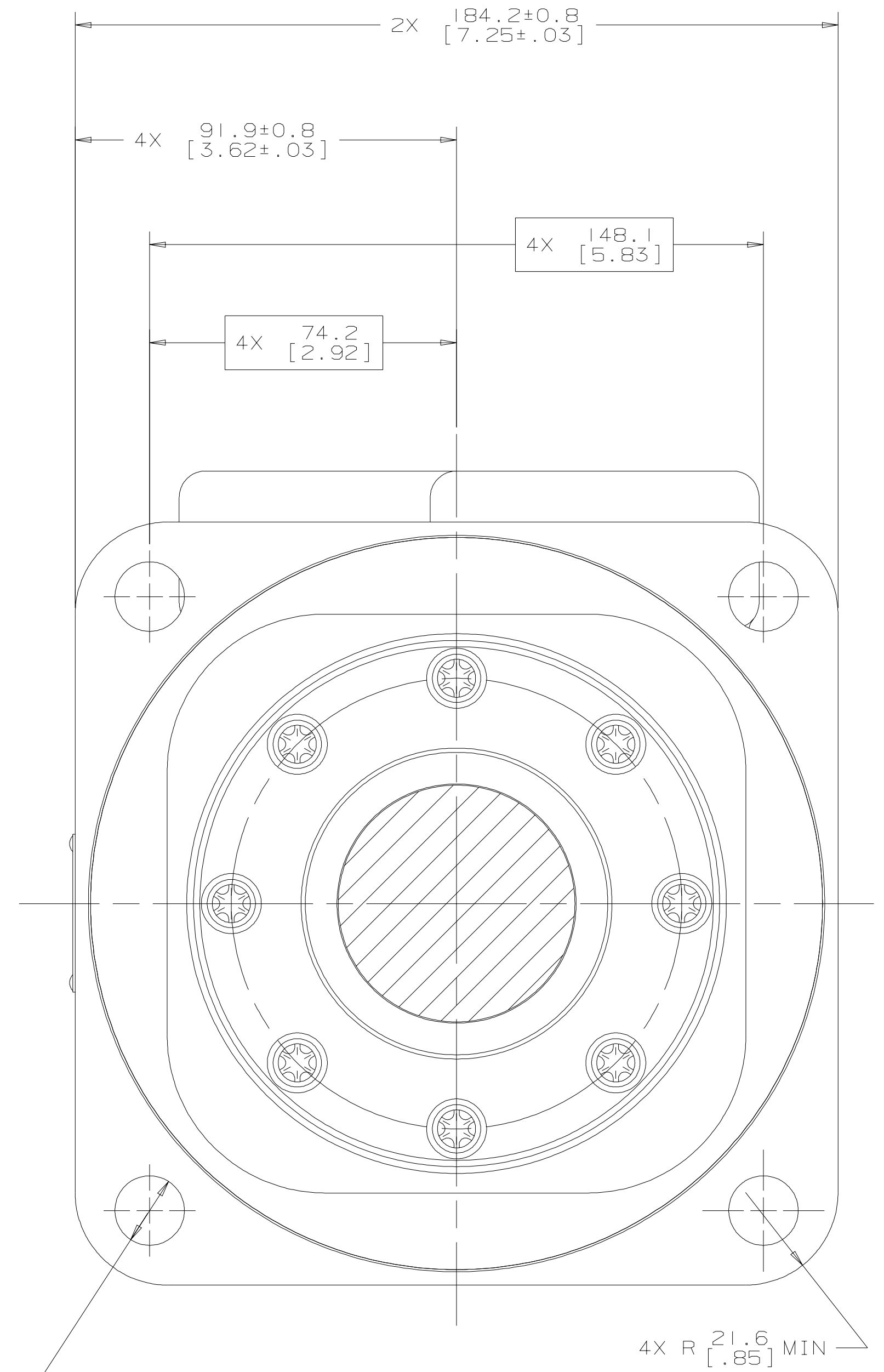
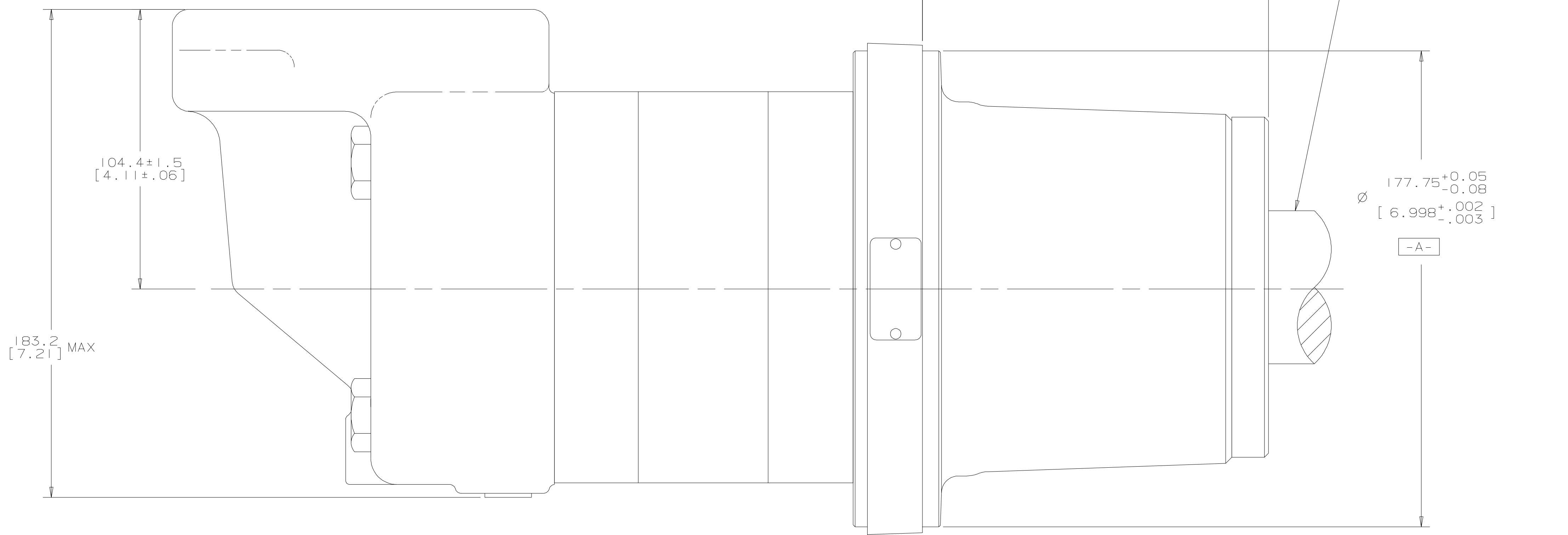
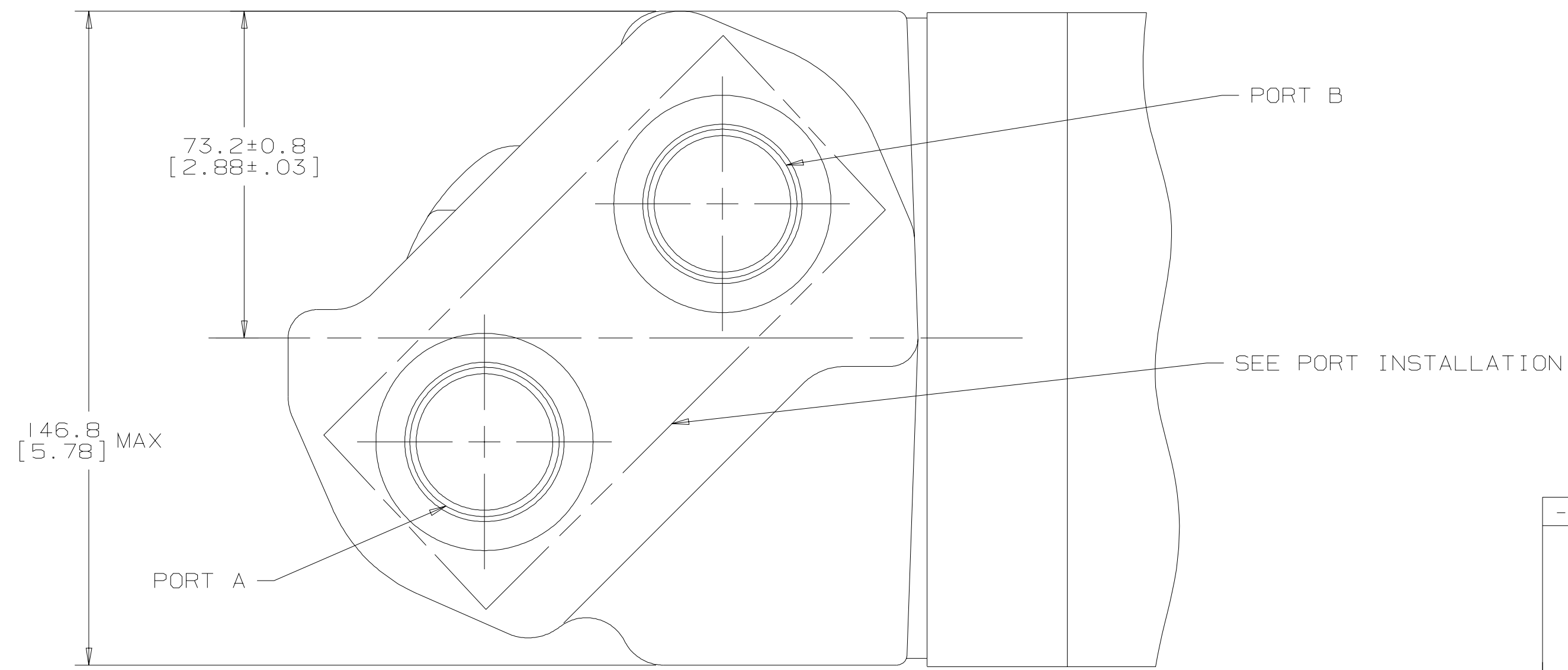


REV	DESCRIPTION	BY	DATE	ECN
A	ENGINEERING RELEASE	KJR	6-28-94	25183
B	(6A) MOUNTING TYPE WAS "B"	JSB	4-17-07	0004973



4x \varnothing 16.76±0.25 [0.660±.010] THRU
 \varnothing 0.030 [0.012] M B A M

NOTE

- 1 ROTATION:
 STANDARD: WHEN FACING SHAFT END OF MOTOR, SHAFT TO ROTATE:
 CLOCKWISE WHEN PORT "A" IS PRESSURIZED
 COUNTERCLOCKWISE WHEN PORT "B" IS PRESSURIZED
 REVERSE: WHEN FACING SHAFT END OF MOTOR, SHAFT TO ROTATE:
 CLOCKWISE WHEN PORT "B" IS PRESSURIZED
 COUNTERCLOCKWISE WHEN PORT "A" IS PRESSURIZED
- 2 MOUNTING TYPE: AB
 WHEEL, 4 BOLT: \varnothing 177.8 [7.00] PILOT, \varnothing 16.76 [0.660] HOLES
 ON \varnothing 209.55 [8.250] BOLT CIRCLE.

UNLESS OTHERWISE SPECIFIED ALL DIMENSIONS ARE IN		DRAWING BASED ON ANSI Y14.5M-1982	
INCHES <input type="checkbox"/>	MILLIMETERS <input checked="" type="checkbox"/>	THE REPRODUCTION, DISTRIBUTION, AND UTILIZATION OF THIS DOCUMENT, AS WELL AS THE COMMUNICATION OF ITS CONTENTS TO OTHERS WITHOUT EXPLICIT AUTHORIZATION IS PROHIBITED. OFFENDERS WILL BE HELD LIABLE FOR THE PAYMENT OF DAMAGES. ALL RIGHTS RESERVED IN THE EVENT OF THE GRANT OF A PATENT, UTILITY MODEL, OR DESIGN. (PER ISO 16016)	
TOLERANCES			
.X + - - - -	.XX + - - - -		
.XXX + - - - -	∠ + - - - -	DRAWN BY/DATE KJR 3-4-94	MATERIAL/HEAT TREAT
UNSPECIFIED RADI ARE	UNSPECIFIED DRAFT ANGLES ARE	CHECKED BY/DATE	TITLE
UNSPECIFIED DRAFT ANGLES ARE	THIRD ANGLE PROJECTION	ENGRG. BY/DATE	10,000 SERIES MOTOR INSTALL
DRAWING FORMAT CADD <input checked="" type="checkbox"/> MANUAL <input type="checkbox"/>	DO NOT SCALE	METALLURGY BY/DATE	NUMBER A-830-001
		ARITHMETICAL AVERAGE	SCALE 1/1 SHEET 1 OF 1