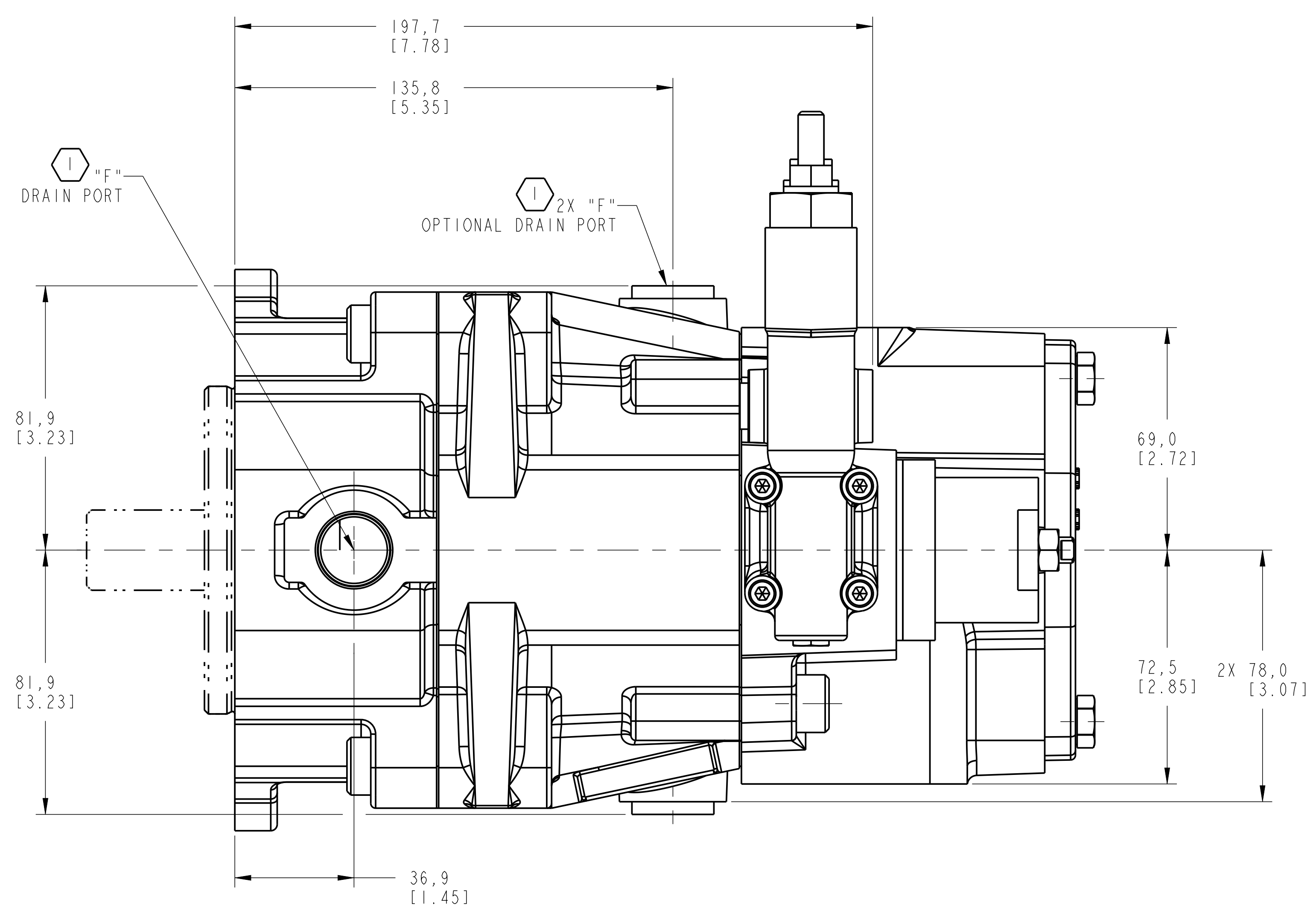


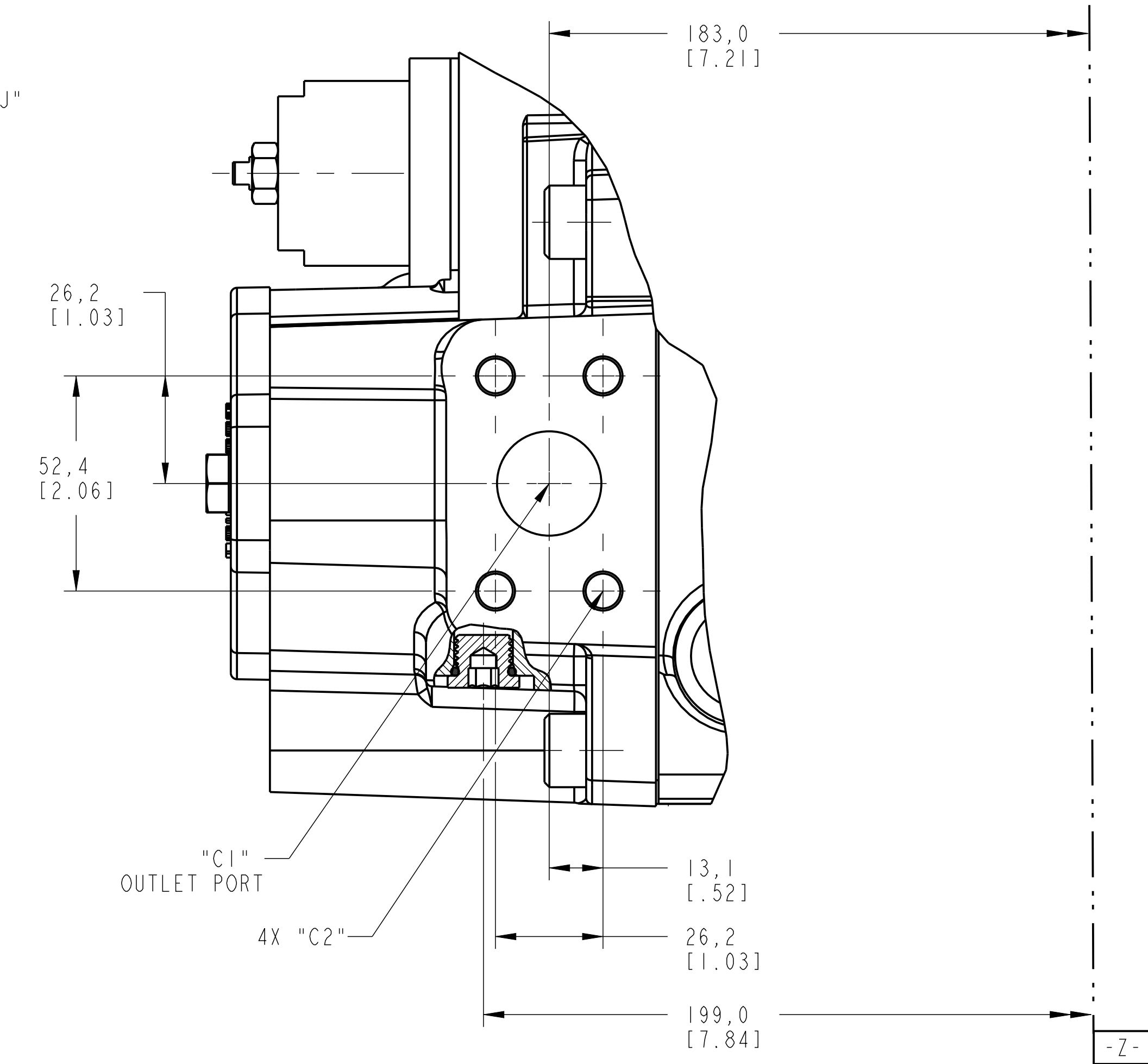
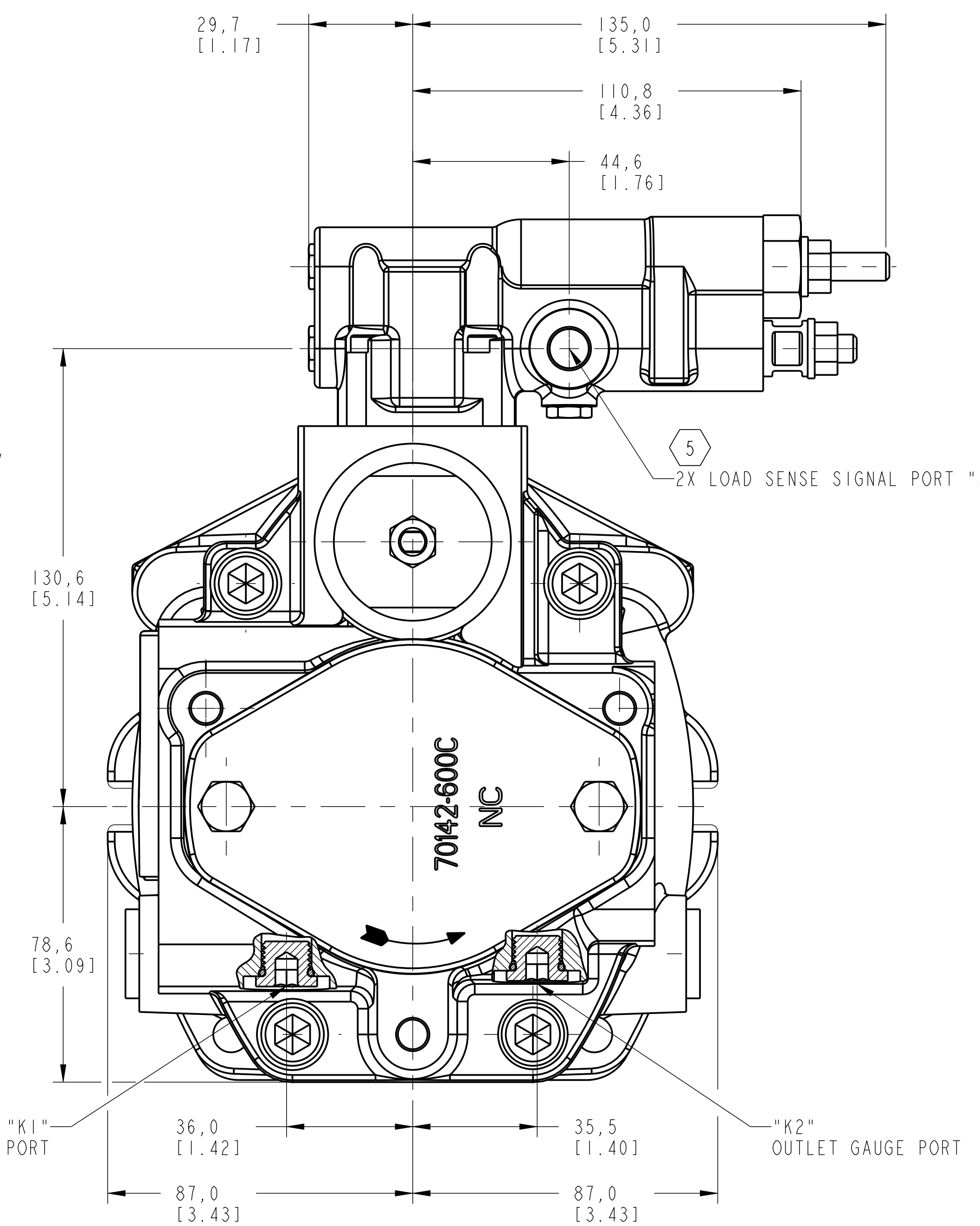
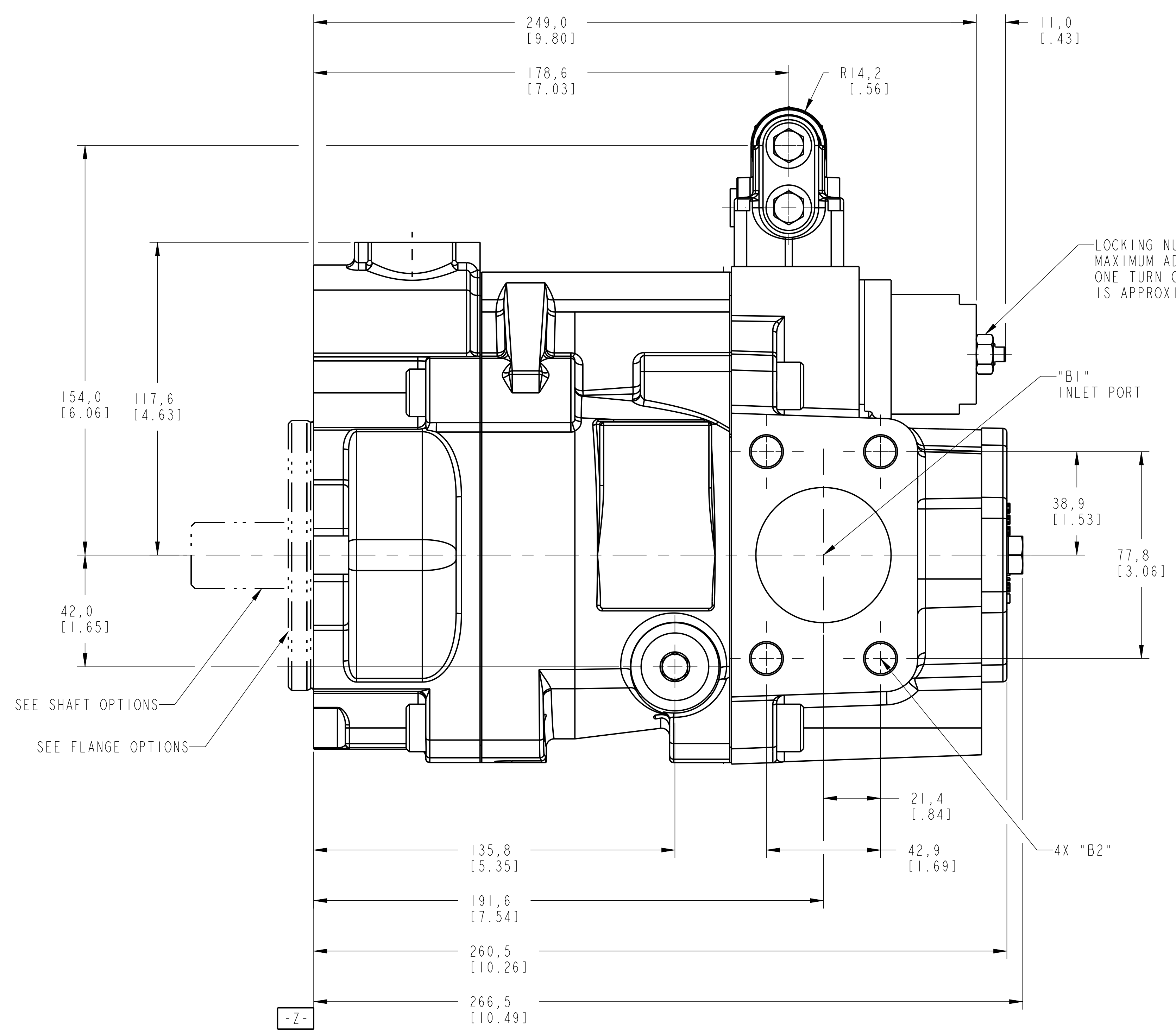
REV	DESCRIPTION	BY	CHK	DATE	CO
A	ENGINEERING RELEASE	MGM	RHJ	03/30/18	0090932
B	REVISED TITLE BLOCK	PRM	JAI	02/07/23	CO-0227891
C	REVISED - 1) ADDED ISOMETRIC VIEW - 2) REMOVED VIEW A-A FROM SHEET 2 - 3) UPDATED CONTROLLER - A AND C/B	VDP	TTM	02/02/24	CO-0233059



NOTE

- 1 FILL CASE WITH OIL THROUGH EITHER OF THESE DRAIN PORTS. CASE MUST BE FILLED BEFORE COMPONENT IS STARTED. CASE DRAIN PORT MUST BE LOCATED AT THE UPPERMOST POSITION OF THE COMPONENT AND MUST BE CONNECTED DIRECTLY TO THE RESERVOIR. MAXIMUM CONTINUOUS PRESSURE AT THE CASE DRAIN PORT MUST NOT EXCEED 0.5 bar (7.3 PSIG)
- 2 CARE SHOULD BE TAKEN THAT MECHANICAL AND HYDRAULIC RESONANCES ARE AVOIDED IN THE APPLICATION OF THIS COMPONENT. SUCH RESONANCES CAN SERIOUSLY COMPROMISE THE LIFE AND/OR SAFE OPERATION OF THE COMPONENT.

CARE SHOULD BE TAKEN DURING INITIAL START UP OF THIS COMPONENT TO PURGE AIR FROM THE DISCHARGE LINE. EXCESSIVE AIR CAN SERIOUSLY COMPROMISE THE LIFE AND/OR SAFE OPERATION OF THE COMPONENT.
- 3 "90" DUROMETER NITRILE (BUNA-"N") OR FLUOROCARBON ELASTOMER O-RING TO BE ON ALL S.A.E. AND I.S.O. STRAIGHT THREAD CONNECTIONS.
- 4 UNLESS OTHERWISE SPECIFIED ALL DIMENSIONS ARE NOMINAL
- 5 PRESSURE DECAY RATE OF SIGNAL LINE "J" SHALL NOT EXCEED 11.00 KBAR/SEC (160.0 KSI/SEC).



RIGHT HAND ROTATION SHOWN WITH PRESSURE COMP W/LOAD SENSE
LEFT HAND ROTATION SHOWN ON SHEET 2

PORT	"B1"	"B2"	"C1"	"C2"	"F"	"J"	"K1"	"K2"
SAE PORT	Ø2.0 INLET PORT "B1" SAE J518C 4 BOLT FLANGE PORT STANDARD PRESSURE SERIES	.500-13 UNC-2B THREAD ▽1.06 MINIMUM	Ø1.0 OUTLET PORT "C1" SAE J518C, 4 BOLT FLANGE PORT STANDARD PRESSURE SERIES	.375-16 UNC-2B THREAD ▽.87 MINIMUM	SAE J514 O-RING BOSS PORT "F" FOR .625 O.D. TUBE .875-14 UNF-2B THREAD	SAE J514 O-RING BOSS PORT "J" FOR .375 O.D. TUBE .4375-20 UNF-2B THREAD	SAE J514 O-RING BOSS PORT FOR .375 O.D. TUBE .5625-18 UNF-2B THREAD	SAE J514 O-RING BOSS PORT FOR .375 O.D. TUBE .5625-18 UNF-2B THREAD
ISO PORT	Ø50.80 INLET PORT "B" ISO 6162 4 BOLT FLANGE PORT STANDARD PRESSURE SERIES	M12 THREAD ▽27.0 MINIMUM	Ø25.4 OUTLET PORT "C" ISO 6162, 4 BOLT FLANGE PORT STANDARD PRESSURE SERIES	M10 THREAD ▽22.0 MINIMUM	ISO 6149-1 O-RING BOSS PORT "F" M22 X 1.5 THREAD	ISO 6149-1 O-RING BOSS PORT "J" M12 X 1.5 THREAD	ISO 6149-1 O-RING BOSS PORT M14 X 1.5 THREAD	ISO 6149-1 O-RING BOSS PORT M14 X 1.5 THREAD
BSPP PORT	N/A	N/A	N/A	N/A	BS 2779-1973 O-RING G-1/2 THREAD	BS 2779-1973 O-RING G-1/4 THREAD	BS 2779-1973 O-RING G-1/4 THREAD	BS 2779-1973 O-RING G-1/4 THREAD

PRODUCT FIRST USED ON: PVM PUMP

UNLESS OTHERWISE SPECIFIED: LEGACY VICKERS ITEM INTERPRET PER VS-1-3-3-1

LAB OFFICE: (NAME) (REV) (ITEM) (DATE) (REV) (DATE)

TOLERANCES: UNLESS OTHERWISE SPECIFIED: METRIC INCHES FEET

UNSPECIFIED RADIUS ARE: R R R

UNSPECIFIED CHAMFER ANGLES: CHAMFER CHAMFER CHAMFER

UNLESS OTHERWISE SPECIFIED: DIMENSIONS DIMENSIONS DIMENSIONS

SCALE: 1/1

SHEET 1 OF 3

PART NO: A-2169-047

DRAWN BY/DATE: MGM 03/30/18

CHECKED BY/DATE: RHJ 03/30/18

ENG'D BY/DATE: RHJ 03/30/18

WFO BY/DATE: ...

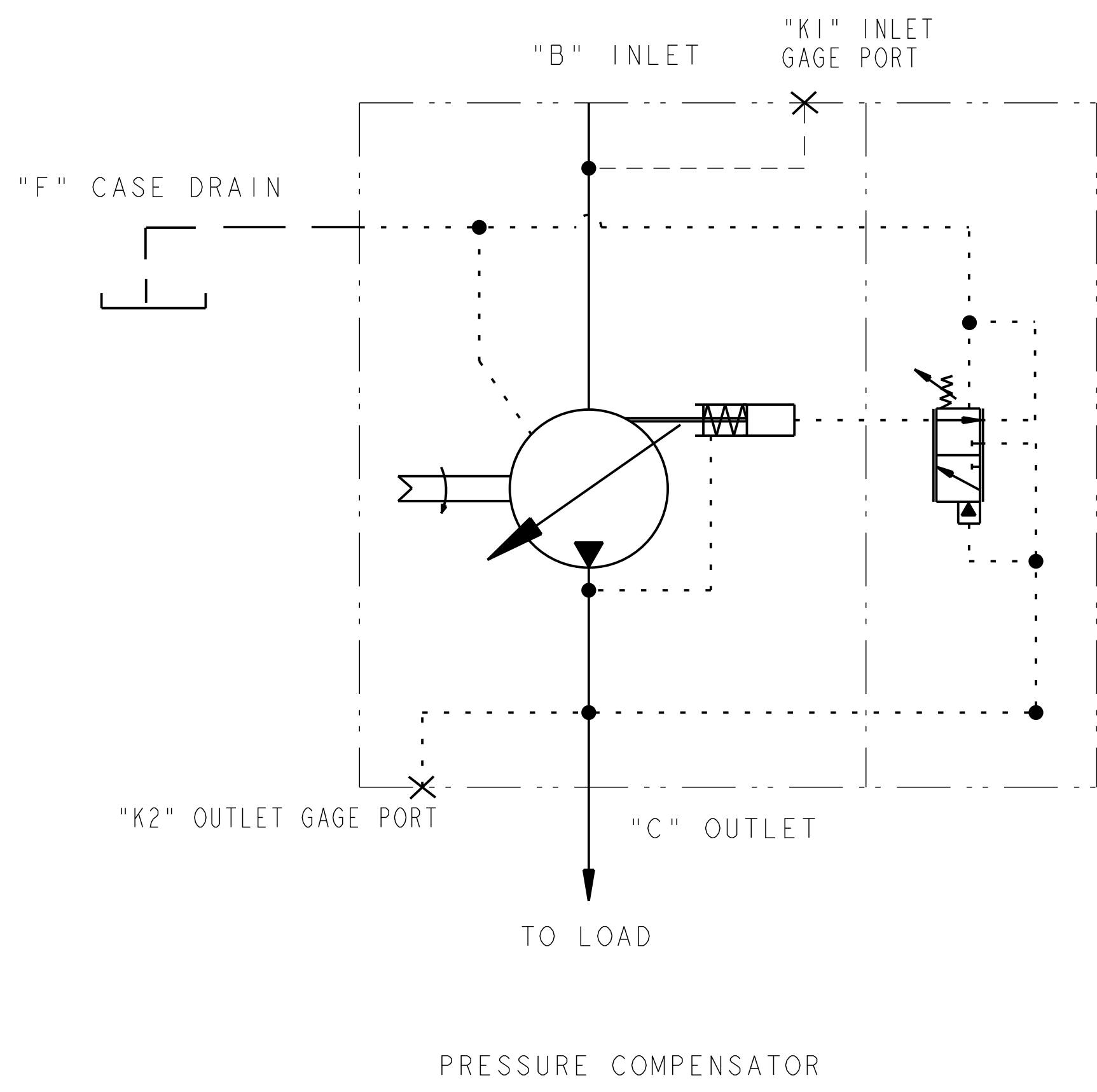
RAW MATERIAL SPECIFICATION: ...

DRAWING INTERPRETATION PER 504H074

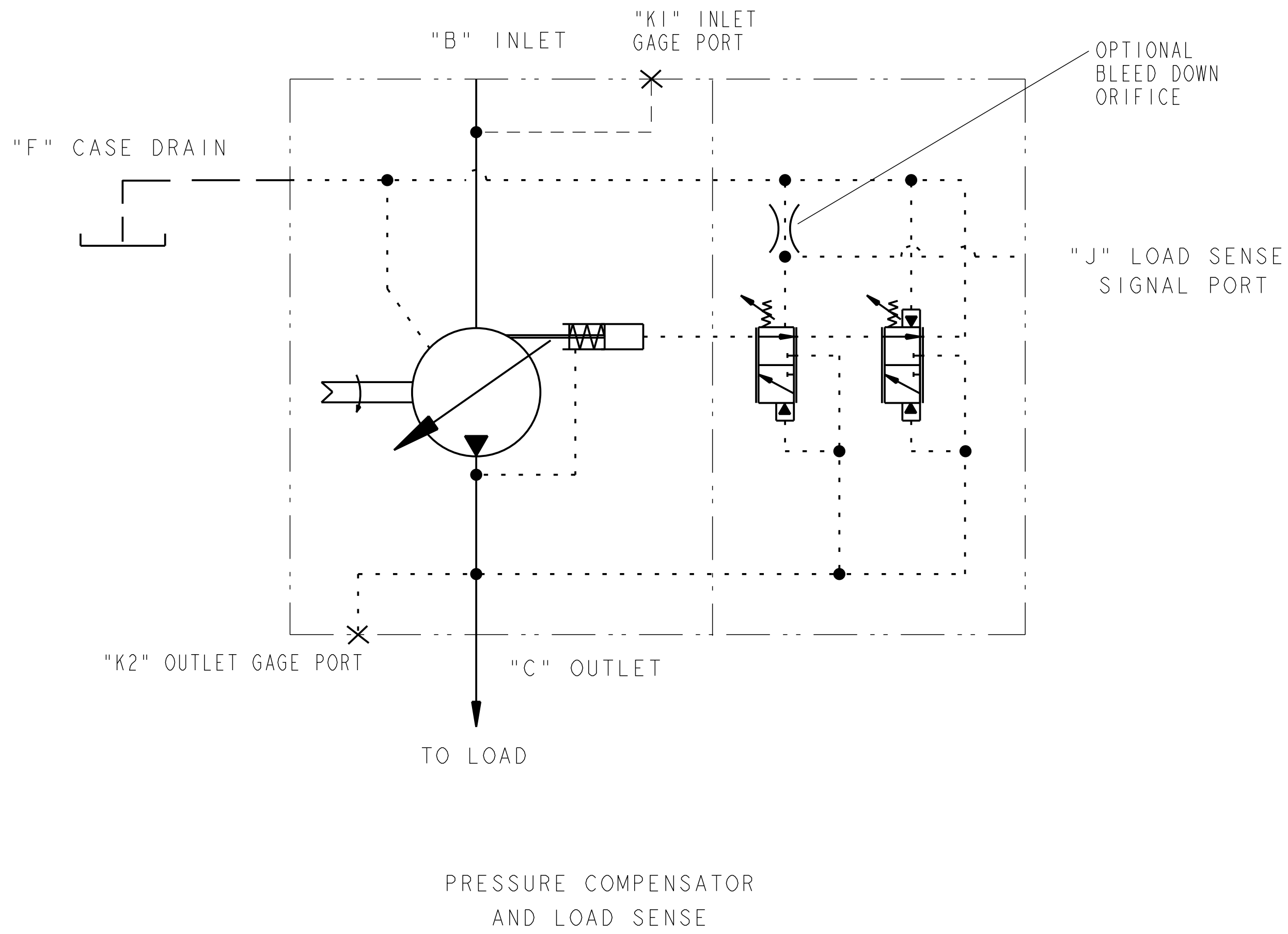
DWG NO: A-2169-047 REV C

DRAWING TITLE: PVM45/50 SIDE PORT INSTALL

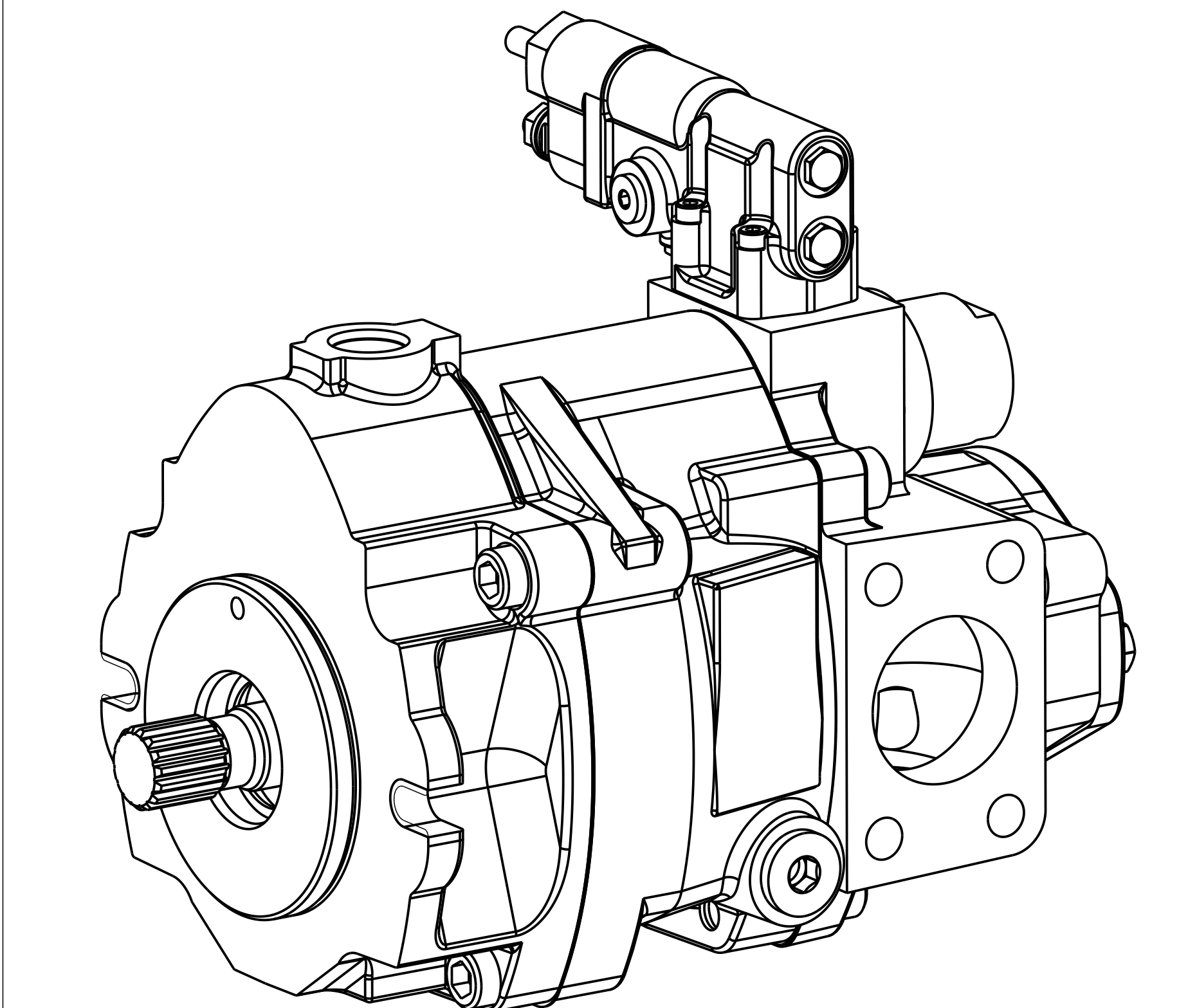
REV	DESCRIPTION	BY	CHK	DATE	CO
[]	SEE SHEET ONE FOR REVISION	[]	[]	[]	[]



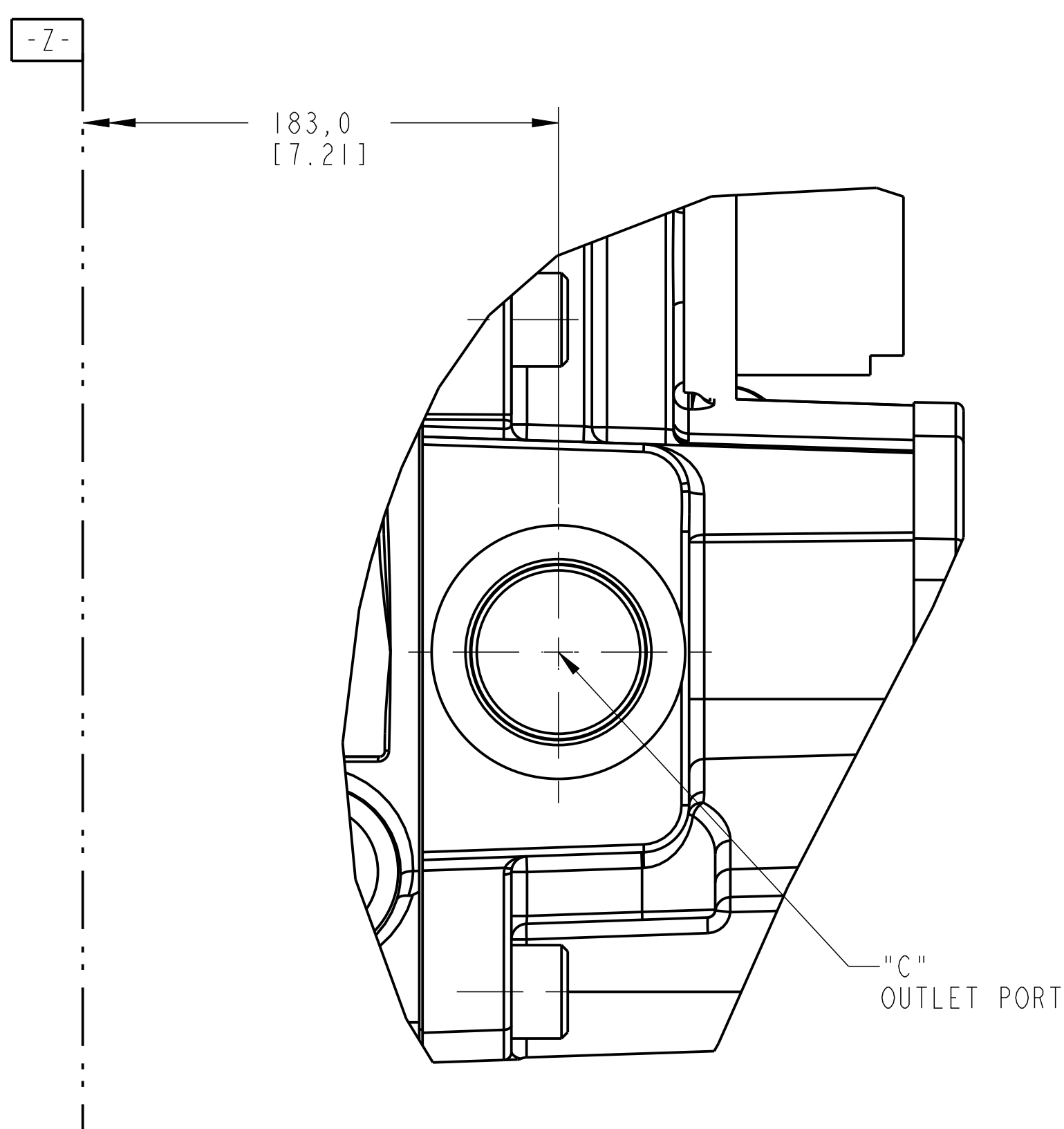
PRESSURE COMPENSATOR



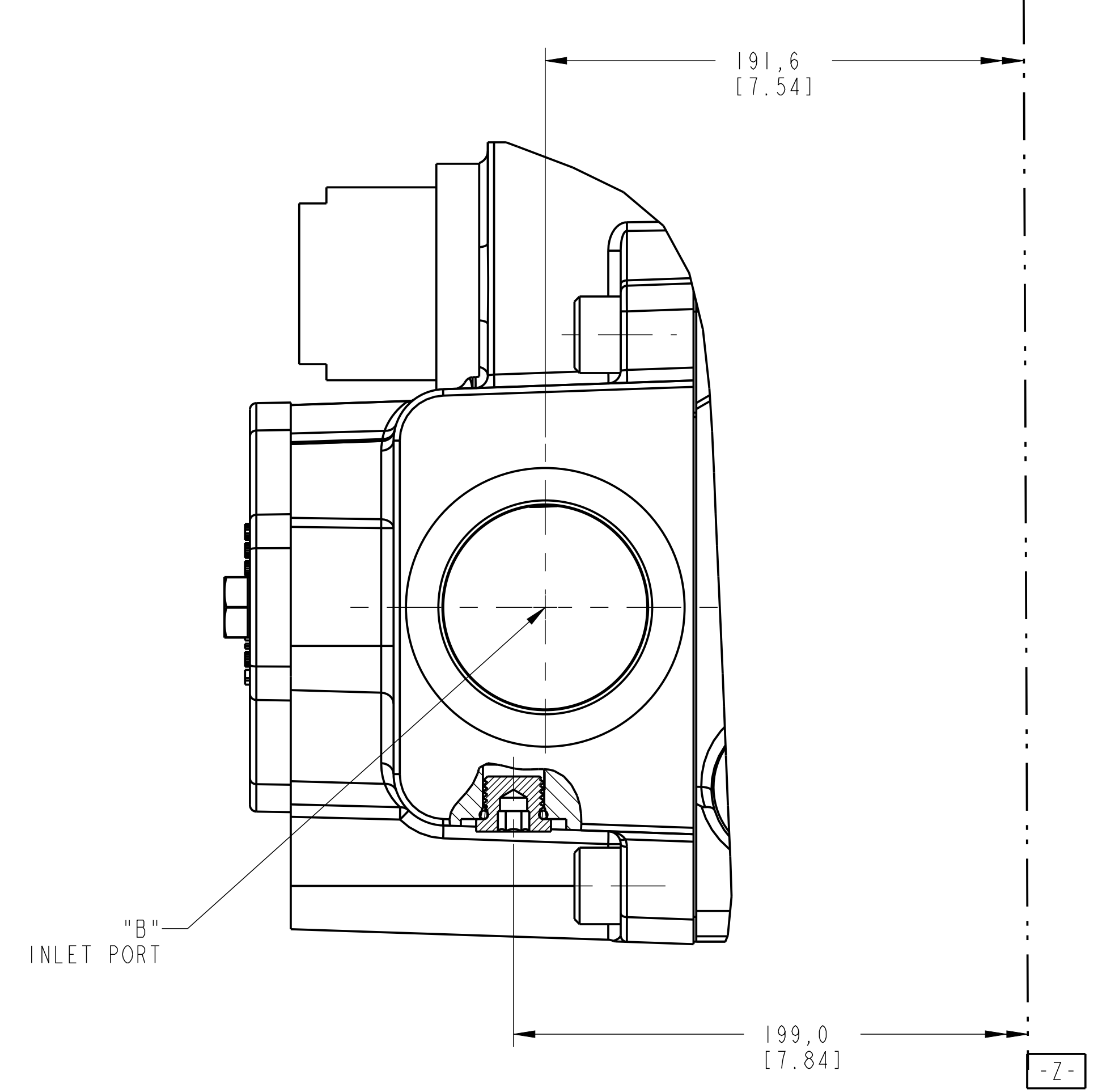
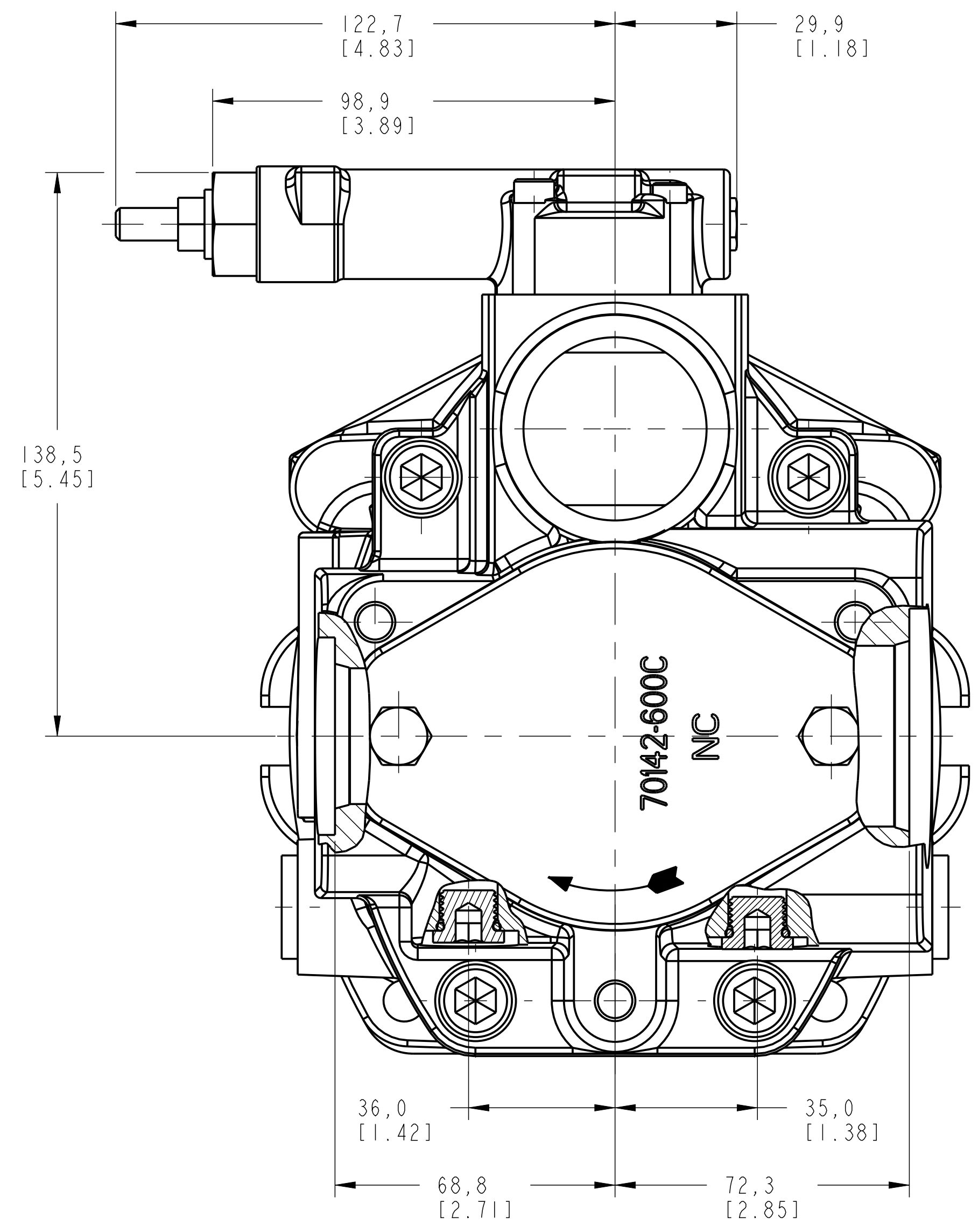
PRESSURE COMPENSATOR AND LOAD SENSE



PUMP WITH PRESSURE COMPENSATOR AND LOAD SENSE

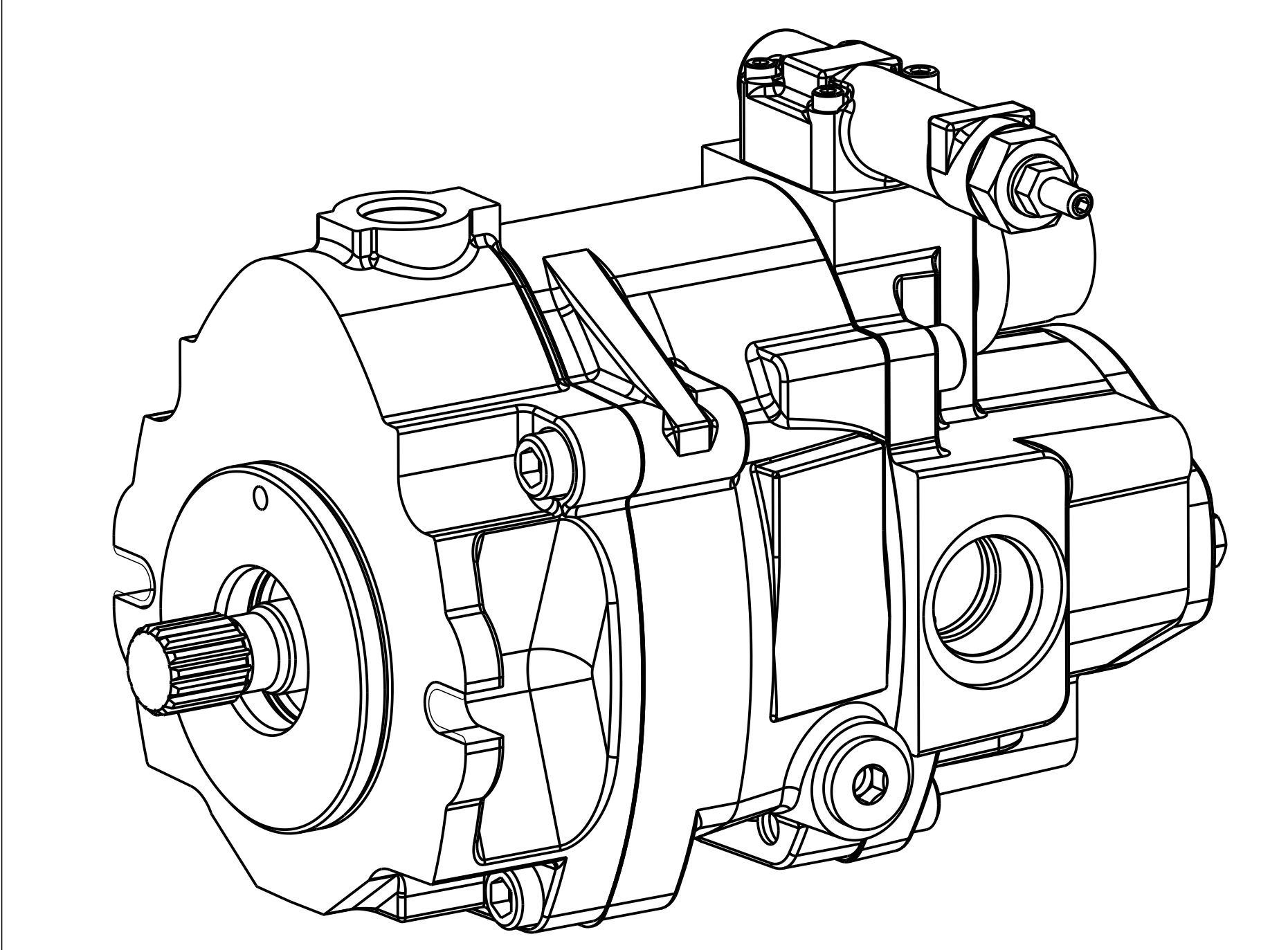


"C" OUTLET PORT



"B" INLET PORT

LEFT HAND ROTATION WITH PRESSURE COMPENSATOR
RIGHT HAND ROTATION SHOWN ON SHEET 1



PUMP WITH PRESSURE COMPENSATOR

TUBE PORTS		
PORT	"B"	"C"
SAE PORT	SAE J514 O-RING FOR 1.50 O-RING TUBING 1.875-12 UNF-2B THREAD	SAE J514 O-RING FOR 1.0 O.D. TUBING 1.3125-12 UNF-2B THREAD
ISO PORT	ISO 6149-1 O-RING M50 X 2 THREAD	ISO 6149-1 O-RING M33 X 2 THREAD
BSPP PORT	BS 2779-1973 O-RING G 1-1/2 THREAD	BS 2779-1973 O-RING G 1 THREAD