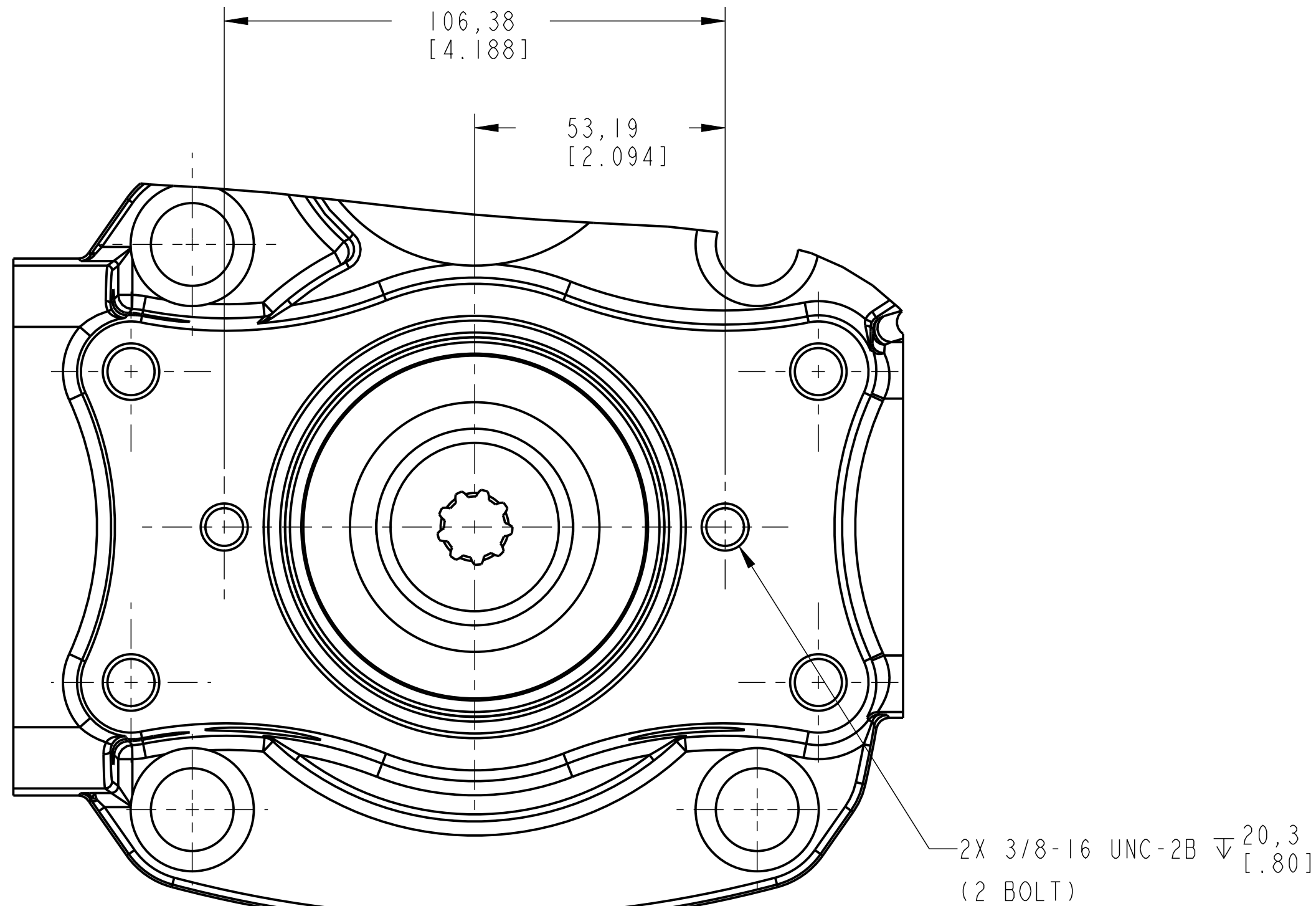
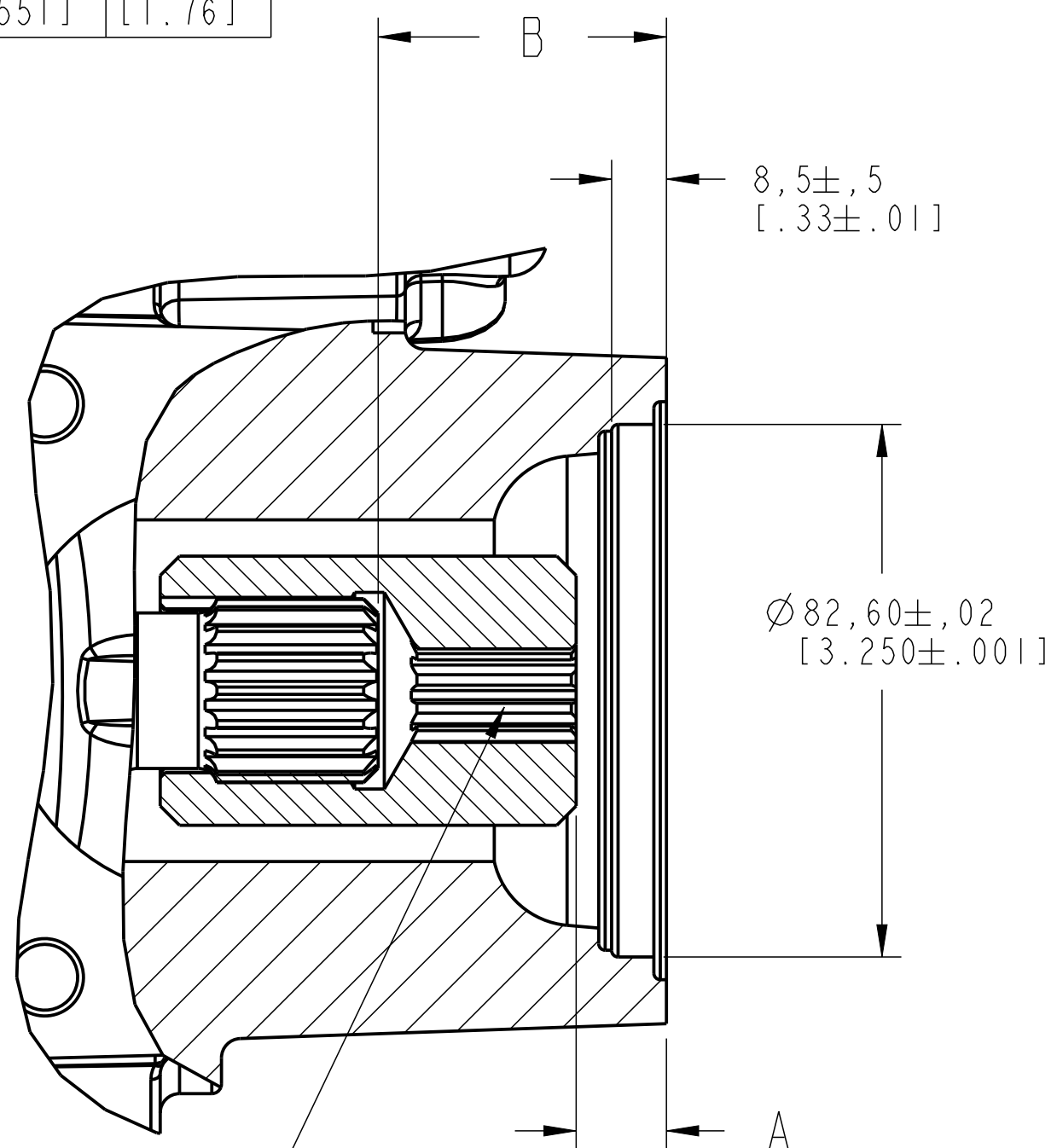


| DISPLACEMENT | A               | B                |
|--------------|-----------------|------------------|
| PVM18/20     | 12,25<br>[.482] | 52,71<br>[2.075] |
| PVM45/50     | 10,03<br>[.395] | 52,47<br>[2.066] |
| PVM57/63     |                 | 44,8<br>[1.76]   |
| PVM74/81     |                 | 43,3<br>[1.70]   |
| PVM98/106    |                 | 43,3<br>[1.70]   |
| PVM131/141   | 14,0<br>[.551]  | 44,7<br>[1.76]   |

| REV | DESCRIPTION                                       | BY  | CHK | DATE     | CO         |
|-----|---|-----|-----|----------|------------|
| A   | ENGINEERING RELEASE                               | JLW | JGS | 09/21/00 | 36517      |
| B   | REVISED TABULATED DIMENSION VALUES                | EMR | EMR | 02/06/02 | 40131      |
| C   | UPDATED DRAWING TEMPLATE AS PER DANFOSS STANDARDS | SSP | TTM | 12/01/22 | CO-0226921 |



SPLINE TO MATE WITH INTERNAL INVOLUTE  
 FLAT ROOT SIDE FIT 9 TOOTH 16/32 PITCH  
 30° PRESSURE ANGLE PER ASA B5.15 - 1960

NOTE

1 MOUNTING FLANGE SPECIFICATION SAE J744-82-2

|                 |      |          |
|-----------------|------|----------|
| DRAWN BY/DATE   | JLW  | 11/28/00 |
| CHECKED BY/DATE | JGS  | 01/16/01 |
| ENGRG BY/DATE   | J1   | 02/01/01 |
| MFG BY/DATE     | ---- | ----     |

| PRODUCT FIRST USED ON : PVM PUMP           |                                 |                              | UNLESS OTHERWISE SPECIFIED   |            |           | <input checked="" type="checkbox"/> LEGACY VICKERS ITEM INTERPRET PER VS 1-3-3-1 |            |                            |                                     |            |       |
|--|---------------------------------|------------------------------|--|------------|-----------|--|------------|----------------------------|-------------------------------------|------------|-------|
| METRIC <input checked="" type="checkbox"/> | INCHES <input type="checkbox"/> | [ <input type="checkbox"/> ] | LAB OFFICE   | CHANGE ID  | REV ITEMS | STATUS/DATE  | (DD/MM/YY) | RAW MATERIAL SPECIFICATION |                                     |            |       |
| TOLERANCES                                 | MM                              | N/A                          | ----   | CO-0226921 | C         | ENGG RELEASE   | 01/12/22   | ----                       |                                     |            |       |
| .X   | ± 0.8                           | ± .---                       | THE REPRODUCTION, DISTRIBUTION AND UTILIZATION OF THIS DOCUMENT AS WELL AS THE COMMUNICATION OF ITS CONTENTS TO OTHER WITHOUT EXPLICIT AUTHORIZATION IS PROHIBITED. OFFENDERS WILL BE HELD LIABLE FOR THE PAYMENT OF DAMAGES. ALL RIGHT RESERVED IN THE EVENT OF THE GRANT OF A PATENT, UTILITY MODEL OR DESIGN. (PER ISO 16016) |            |           |  |            |                            | DRAWING INTERPRETATION PER 504H0074 |            |       |
| .XX  | ± 0.25                          | ± .03                        |  |            |           |  |            |                            | DWG NO                              | A-2170-001 | REV C |
| .XXX                                       | ± .---                          | ± .010                       |  |            |           |  |            |                            | DRAWING TITLE                       |            |       |
| UNSPECIFIED RADII ARE:                     |                                 |                              | UNSPECIFIED DRAFT ANGLES   |            |           | SCALE 1/1  |            |                            |                                     |            |       |
| SURFACE ROUGHNESS                          |                                 |                              | NO BURRS   |            |           | SHEET 1 OF 1   |            |                            |                                     |            |       |
| C SIZE                                     |                                 |                              | PART NO  |            |           | A-2170-001   |            |                            |                                     |            |       |

