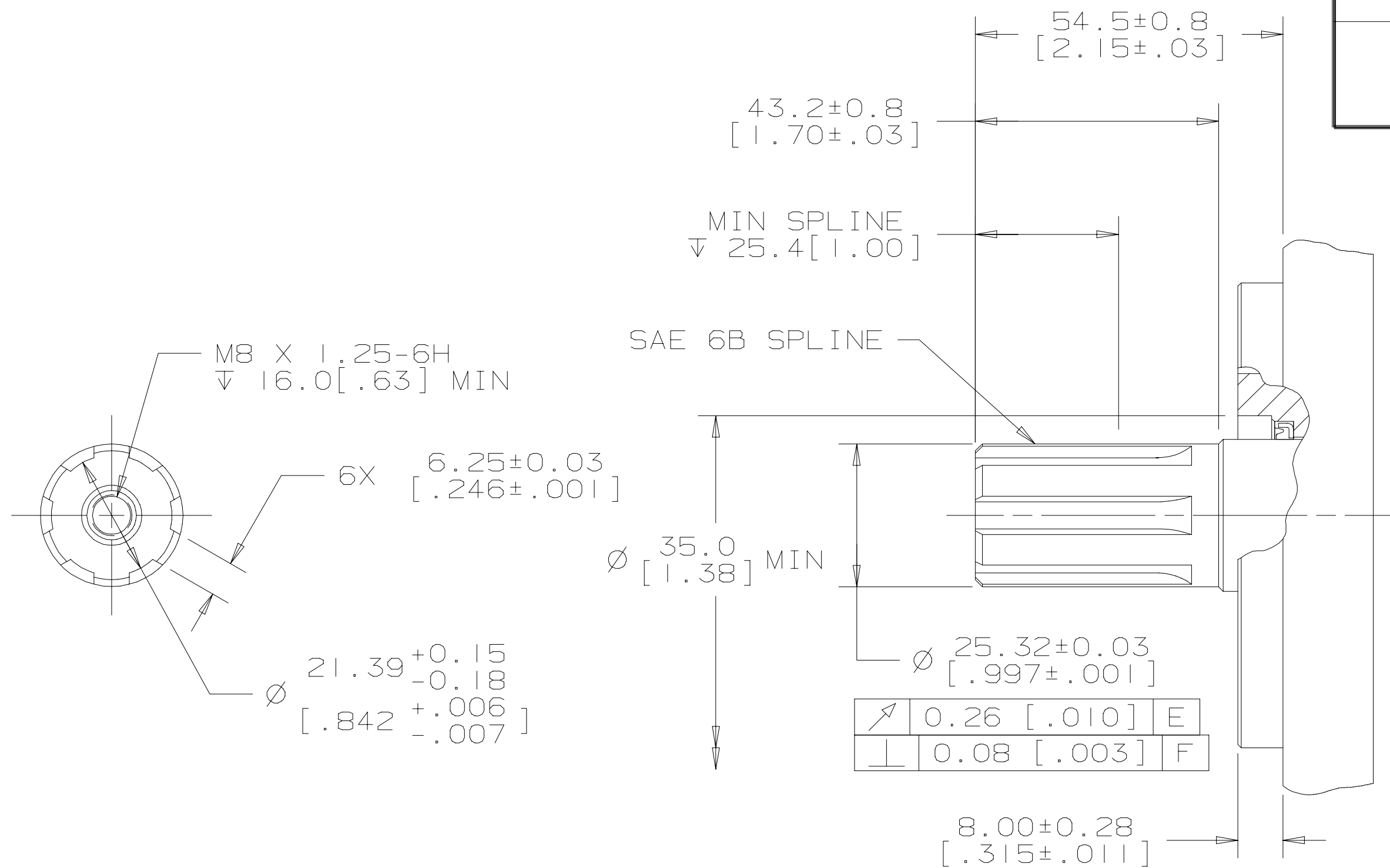


REV	DESCRIPTION	BY	DATE	ECN
A	ENGINEERING RELEASE	RAF	2-23-94	MI1296
B	8.00±0.28 [.315±.011] WAS 8.0±0.03 [.32±.01]	GCB	6-12-96	28265



G M S

NOTE
 1 OUTPUT SHAFT
 49 = 25.4 [1.00] SAE 6B SPLINE WITH
 M8 X 1.25 THREADED HOLE,
 54.5 [2.15] SHAFT EXTENSION

UNLESS OTHERWISE SPECIFIED ALL DIMENSIONS ARE IN INCHES <input type="checkbox"/> MILLIMETERS [INCHES] <input checked="" type="checkbox"/>	DRAWING BASED ON ANSI Y14.5M-1982	
	THE REPRODUCTION, DISTRIBUTION, AND UTILIZATION OF THIS DOCUMENT, AS WELL AS THE COMMUNICATION OF ITS CONTENTS TO OTHERS WITHOUT EXPLICIT AUTHORIZATION IS PROHIBITED. OFFENDERS WILL BE HELD LIABLE FOR THE PAYMENT OF DAMAGES. ALL RIGHTS RESERVED IN THE EVENT OF THE GRANT OF A PATENT, UTILITY MODEL, OR DESIGN. (PER ISO 16016)	
TOLERANCES .X ± ---- .XX ± ---- .XXX ± ---- < ± ----	DRAWN BY/DATE RAF 3/1/94	MATERIAL/HEAT TREAT
UNSPECIFIED RADII ARE ----	CHECKED BY/DATE SDR 3-2-94	TITLE SHAFT INSTALLATION
UNSPECIFIED DRAFT ANGLES ARE ----	ENGRG BY/DATE RVA 3-3-94	
DRAWING FORMAT CADD <input checked="" type="checkbox"/> MANUAL <input type="checkbox"/>	METALLURGY BY/DATE ----	MICROINCHES <input type="checkbox"/> MICROMETERS [MICROINCHES] <input type="checkbox"/>
	THIRD ANGLE PROJECTION	NUMBER A-109-049
	DO NOT SCALE	SCALE 1/1 SHEET 1 OF 1

