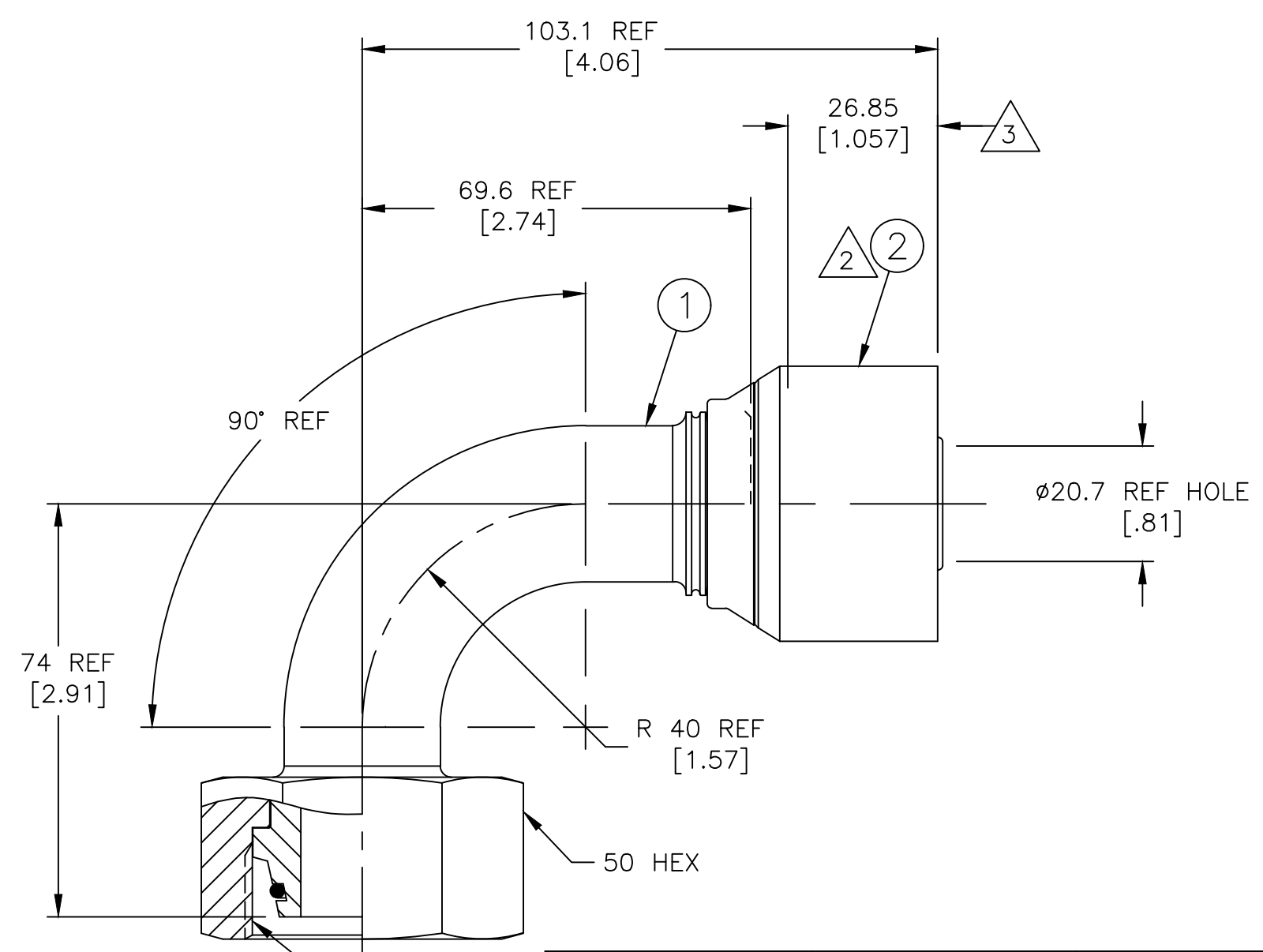


REVISIONS			
REV	DESCRIPTION	DATE	APPROVED



METRIC

M42x2 TH'D  
CL-6H

16Z-80E	1S25DSB16	16Z-C00			
PART NUMBER	① NIPPLE ASSEMBLY	② SOCKET			

LIST OF MATERIALS

ITEM NO.	MATERIAL
1	STEEL
2	STEEL

DRAWN  
DSnyder  
CHECKED  
B.THOMAS  
APPROVED  
B.THOMAS  
RELEASE DATE  
2005-02-25  
EN-F27217  
DP-1612  
THIRD ANGLE PROJECTION

**Danfoss** FLUID CONVEYANCE DIVISION

DRAWING TITLE  
**FITTING ASSEMBLY**  
90°, 24° DKO METRIC SWIVEL,  
HEAVY DUTY, Z SERIES

SIZE A3	DRAWING NUMBER 16Z-80E	REV
SCALE 1/1	DIST U	CAGE CODE 01276 SHEET

- ③. STAMP "TRADEMARK" AND "16Z-80E" PER ES 70, (LOCATE AS SHOWN).
- ②. CRIMP SOCKET PER ES 2409.
- 1. DIMENSIONS ARE IN MILLIMETERS [INCH].