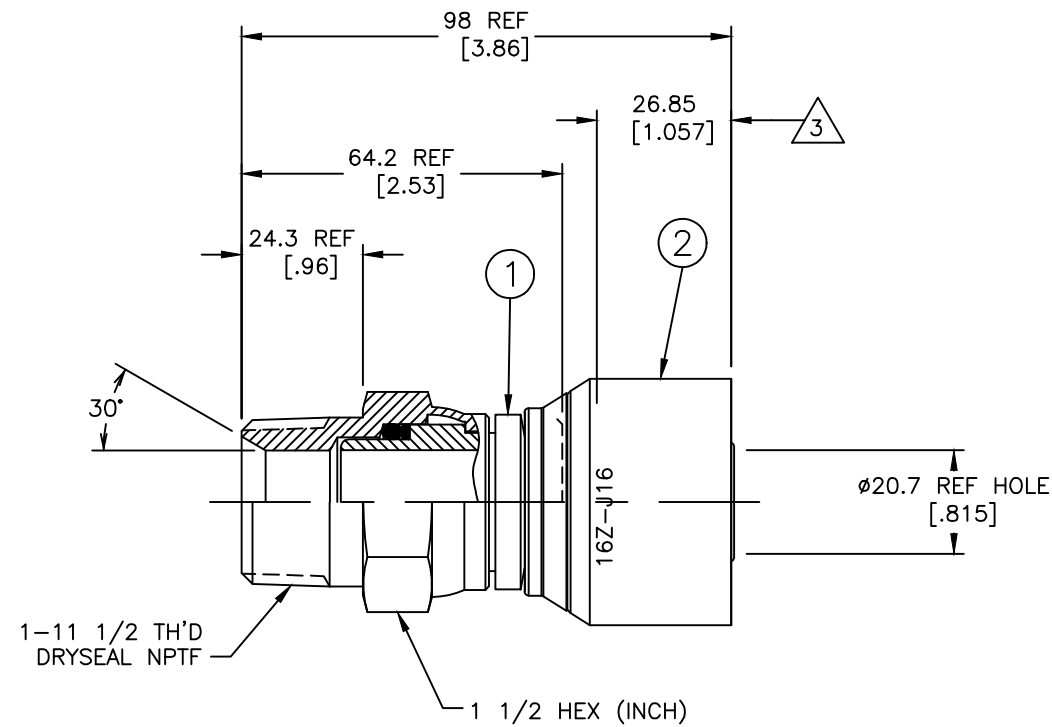


REVISIONS			
REV	DESCRIPTION	DATE	APPROVED



METRIC

16Z-J16	1SA16PS16	16Z-COO			
PART NUMBER	① NIPPLE ASSEMBLY	② SOCKET			

LIST OF MATERIALS

ITEM NO.	MATERIAL
1	STEEL
2	STEEL

DRAWN LWRAGGS CHECKED W.R.HYDE APPROVED W.R.HYDE RELEASE DATE 2005-02-28 EN-F27216 DP-1612 THIRD ANGLE PROJECTION	FLUID CONVEYANCE DIVISION DRAWING TITLE FITTING ASSEMBLY MALE PIPE SWIVEL, Z SERIES
SIZE A2	DRAWING NUMBER 16Z-J16
SCALE 2/1	DIST U
CAGE CODE 01276	SHEET

- ③ STAMP "TRADEMARK" AND "16Z-J16" PER ES 70. (LOCATE AS SHOWN)
- 2. CRIMP SOCKET PER ES 2409.
- 1. DIMENSIONS ARE IN MILLIMETERS [INCH].

DWC.NO. 16Z-J16 REV.

THE REPRODUCTION, DISTRIBUTION AND UTILIZATION OF THIS DOCUMENT AS WELL AS THE COMMUNICATION OF ITS CONTENTS TO OTHER WITHOUT EXPLICIT AUTHORIZATION IS PROHIBITED. OFFENDERS WILL BE HELD LIABLE FOR THE PAYMENT OF DAMAGES. ALL RIGHT RESERVED IN THE EVENT OF THE GRANT OF A PATENT, UTILITY MODEL OR DESIGN. (PER ISO 16016)