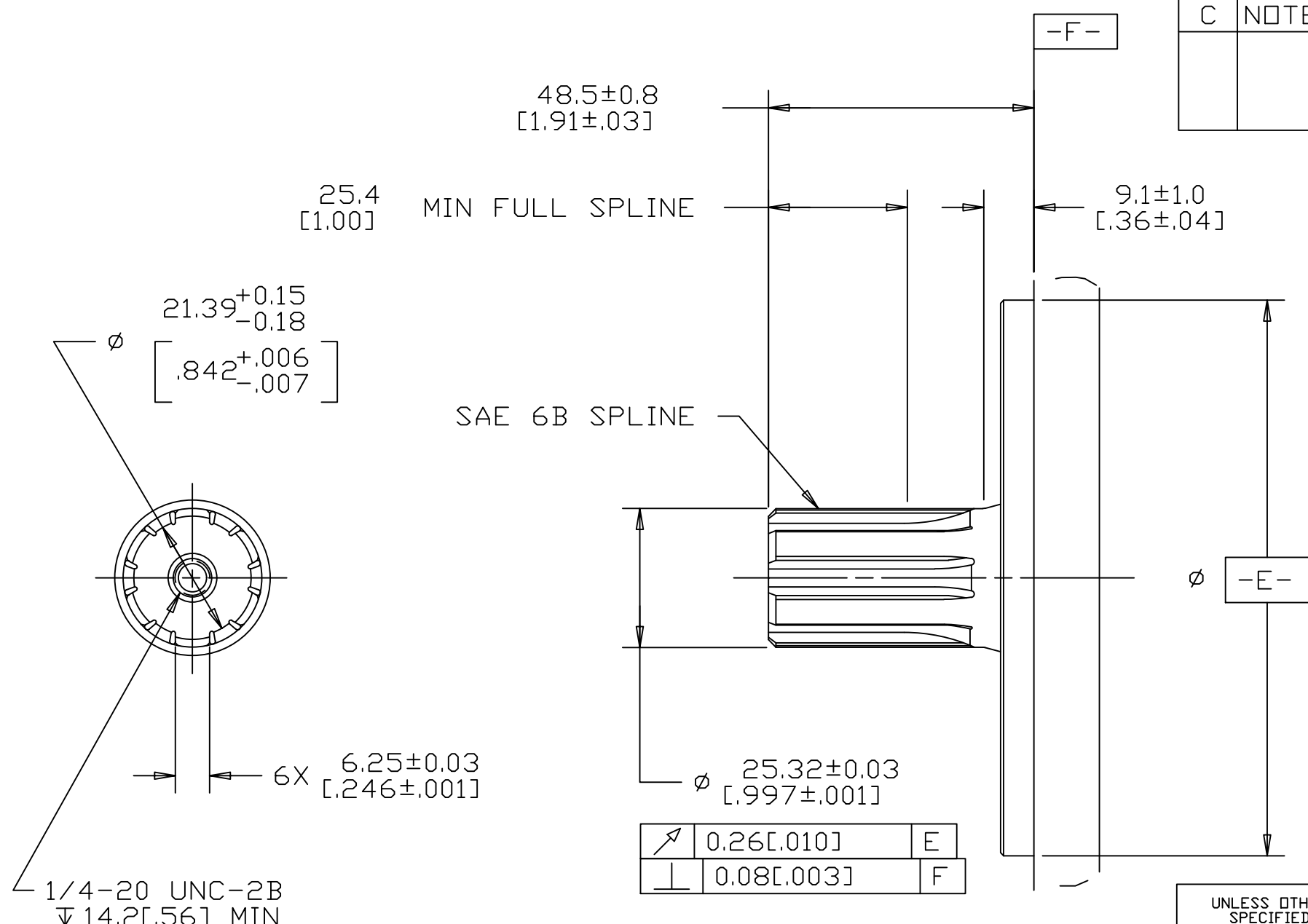


REV	DESCRIPTION	BY	BY	DATE	ECN
A	ENGINEERING RELEASE	RAF		2/22/93	23664
B	REVISED PICTORIALY	MLL		3/19/02	38026
C	NOTE 2, MOUNTING TYPE WAS H	AAB		11-03-08	M74485



REVIEWED FOR CLASSIFICATION PER ESP -042

NOTE  
 1 OUTPUT SHAFT: OPTION 02  
 2 MOUNTING TYPE: OPTION DD

UNLESS OTHERWISE SPECIFIED ALL DIMENSIONS ARE IN INCHES <input type="checkbox"/> MILLIMETERS [INCHES] <input checked="" type="checkbox"/>		DRAWING BASED ON ANSI Y14.5M-1982	
TOLERANCES .X ± ---- .XX ± REF .XXX ± ONLY < ± ----		THE REPRODUCTION, DISTRIBUTION AND UTILIZATION OF THIS DOCUMENT AS WELL AS THE COMMUNICATION OF ITS CONTENTS TO OTHER WITHOUT EXPLICIT AUTHORIZATION IS PROHIBITED. OFFENDERS WILL BE HELD LIABLE FOR THE PAYMENT OF DAMAGES. ALL RIGHT RESERVED IN THE EVENT OF THE GRANT OF A PATENT, UTILITY MODEL OR DESIGN. (PER ISO 16016)	
UNSPECIFIED RADII ARE ----		DRAWN BY/DATE RAF 4/7/93 CHECKED BY/DATE ENGRG BY/DATE METALLURGY BY/DATE	MATERIAL/HEAT TREAT TITLE SHAFT INSTALLATION
UNSPECIFIED DRAFT ANGLES ARE ----		<input type="checkbox"/> MICROINCHES <input type="checkbox"/> MICROMETERS [MICROINCHES] <input checked="" type="checkbox"/> ARITHMETICAL AVERAGE	NUMBER A-723-002 SCALE 1/1 SHEET 1 OF 1
DRAWING FORMAT CADD <input checked="" type="checkbox"/> MANUAL <input type="checkbox"/>		THIRD ANGLE PROJECTION DO NOT SCALE	

