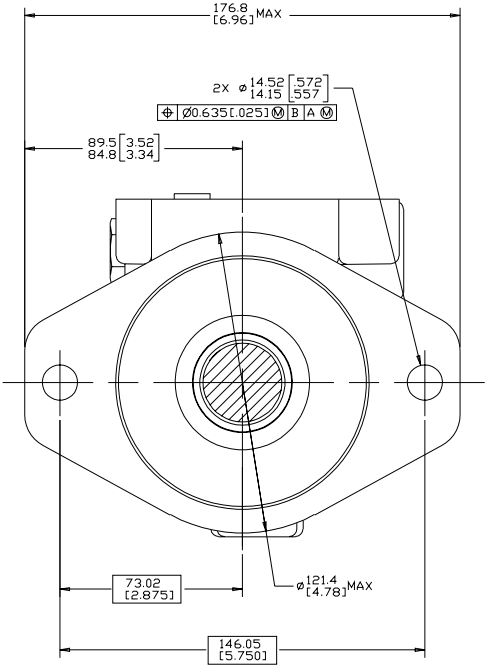
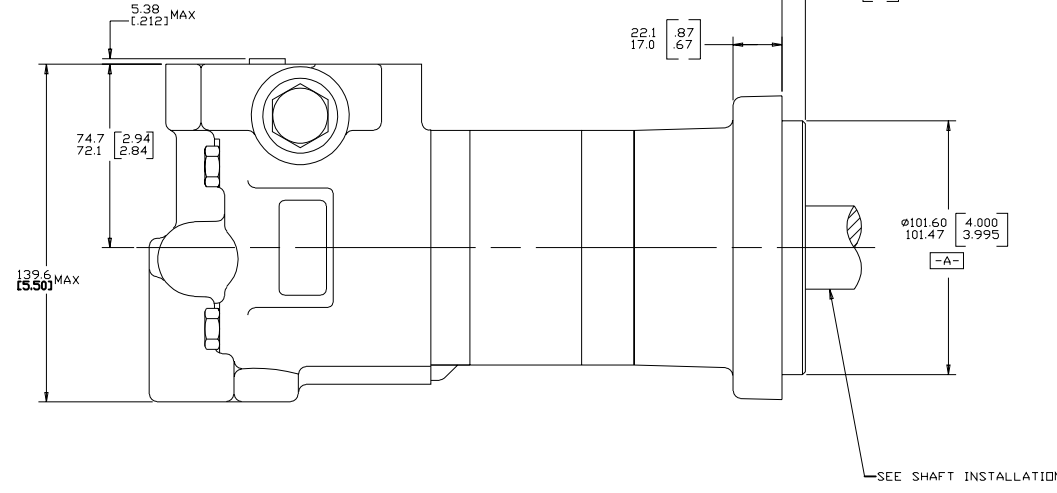
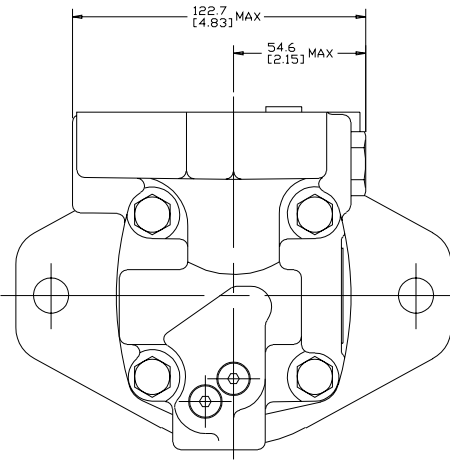
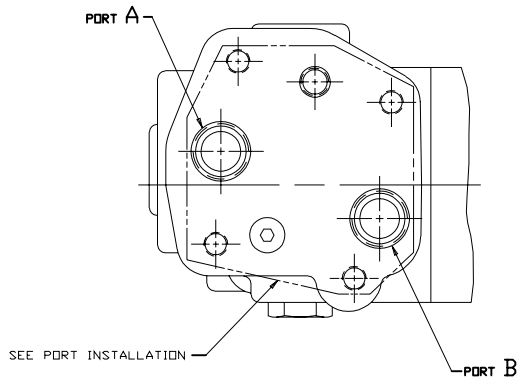


REV	DESCRIPTION	BY	CHK	DATE	ECN	MPS
A	ENGINEERING RELEASE	RAF		11/23/93		24603
B	RELEASE FOR SAMPLES AND ESTIMATES	RAF		3/8/94		25246
C	REVISED	SSD		07/02/09		M76323
D	REVISED	HRK		10/20/09		20156
E	-1X(6C)5.38(212) MAX WAS 3.4(14) MAX -2X(3C)9.8(90)39(36) WAS 9.9(8.9)39(35) -3X(5A)NOTE 2 WAS MOUNTING TYPE: F...	JVD	SB	07/22/15		0065053



NOTE

1 ROTATION:
STANDARD: WHEN FACING SHAFT END OF MOTOR, SHAFT TO ROTATE;
CLOCKWISE WHEN PORT "A" IS PRESSURIZED
COUNTERCLOCKWISE WHEN PORT "B" IS PRESSURIZED

REVERSE: WHEN FACING SHAFT END OF MOTOR, SHAFT TO ROTATE;
CLOCKWISE WHEN PORT "B" IS PRESSURIZED
COUNTERCLOCKWISE WHEN PORT "A" IS PRESSURIZED

2 MOUNTING TYPE: AF
STANDARD, 2 BOLT: ϕ 101.6 [4.00] PILOT
 ϕ 14.35 [0.565] HOLES ON ϕ 146.0 [5.75]
BOLT CIRCLE "SAE B"

REVIEWED FOR CLASSIFICATION PER ESP-042

DRAWING BASED ON ANSI Y14.5M-1982

UNLESS OTHERWISE SPECIFIED ALL DIMENSIONS ARE IN INCHES MILLIMETERS <input type="checkbox"/>	THE REPRODUCTION, DISTRIBUTION AND UTILIZATION OF THIS DOCUMENT AS WELL AS THE COMMUNICATION OF ITS CONTENTS TO OTHERS WITHOUT EXPLICIT AUTHORIZATION IS PROHIBITED. OFFENDERS WILL BE HELD LIABLE FOR THE PAYMENT OF DAMAGES. ALL RIGHTS RESERVED IN THE EVENT OF THE GRANT OF A PATENT, UTILITY MODEL, OR DESIGN (PER ISO 9000)		
TOLERANCES X ± .005 XX ± REF XXX ± ONLY CL ±	DESIGN: RAF BY/DATE: 01/19/93 CHECKED: AGJ BY/DATE: 2/14/94	MATERIAL/HEAT TREAT --	
UNSPECIFIED RADI ARE: ---- UNSPECIFIED DRAFT ANGLES ARE: ----*	ENGR: MJB BY/DATE: 2/16/94	TITLE 2000 SERIES - TWO SPEED MOTOR INSTALLATION	
UNSPECIFIED DRAFT ANGLES ARE: ----*	THIRD ANGLE PROJECTION DO NOT SCALE	NUMBER A-667-006	SCALE 1/1 SHEET 1 OF 1