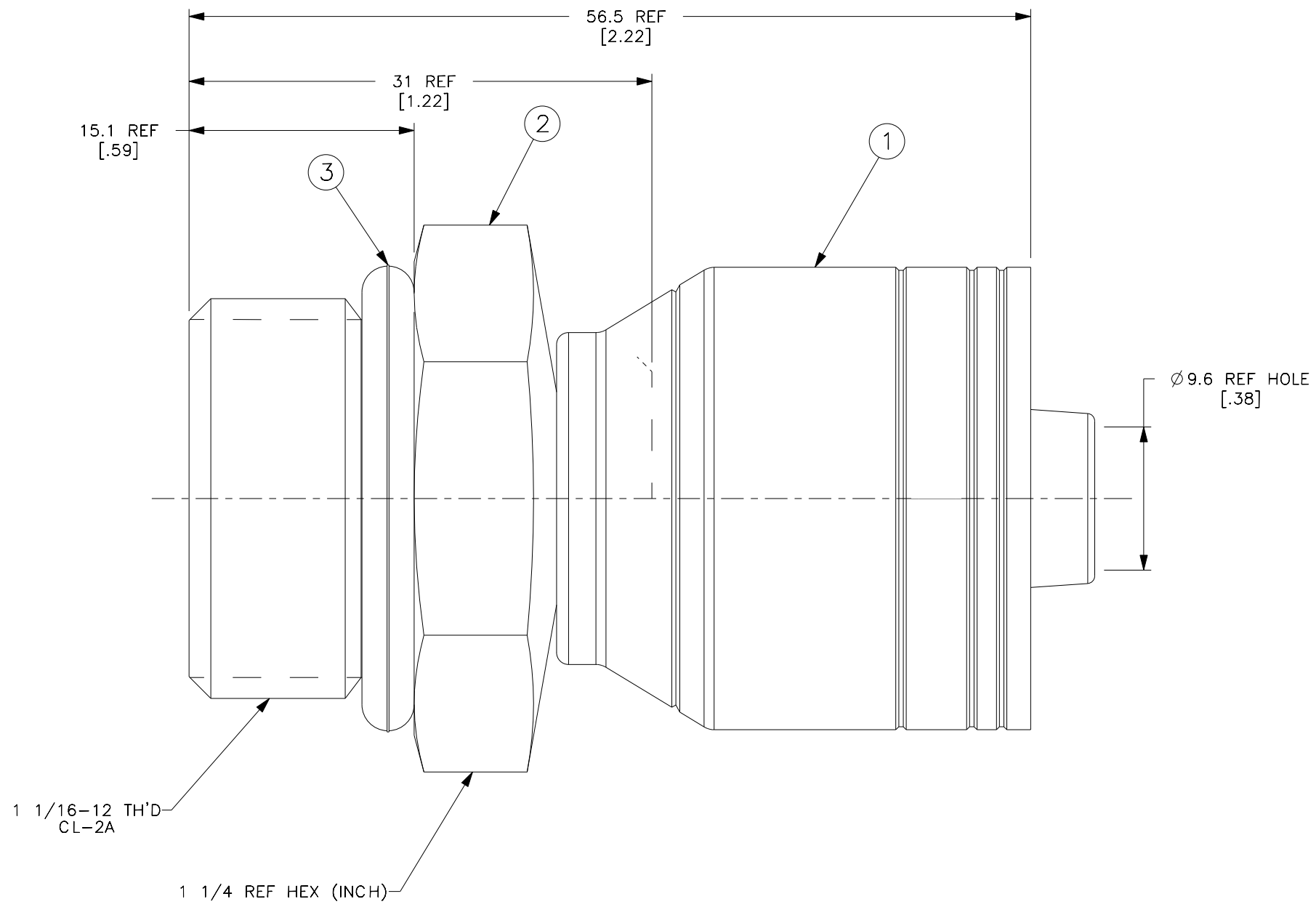


REVISIONS			
REV	DESCRIPTION	DATE	APPROVED
K	REDRAWN ON PRO-E. UPDATED TO LATEST FORMAT AND DIMENSION STYLE. 1) ADDED WEATHERHEAD PART NUMBER. 2) WAS "GH663/GH793 HOSE".	2007-11-07 DDP/ADN	0007769-ECO DP-1693



METRIC

(K1)	08Z-P12	1AA12MB8	1A8	1SA12MB8	22617-12	
	WEATHERHEAD PART NUMBER	AEROQUIP PART NUMBER	(1) SOCKET	(2) NIPPLE	(3) O'RING	

LIST OF MATERIALS

ITEM NO.	MATERIAL	DRAWING INFORMATION			
1	STEEL	DRAWN D. POL	Danfoss FLUID CONVEYANCE DIVISION DRAWING TITLE FITTING ASSEMBLY SAE MALE O'RING BOSS 1 AND 2 WIRE BRAIDED HOSE (K2)		
2	STEEL	CHECKED A. NAGARKATTI			
3	NITRILE (BUNA-N)	APPROVED A. NAGARKATTI			
		RELEASE DATE 2007-11-07			
		0007769-ECO	SIZE A2	DRAWING NUMBER 1AA12MB8	REV K
		DP-1693	SCALE 4/1	DIST U	CAGE CODE 01276
		THIRD ANGLE PROJECTION	SHEET 1		

2. DIMENSIONS ARE IN MILLIMETERS [INCHES].
1. ASSEMBLE SOCKET PER ACES 2813.

REV. K
SH. 1
1AA12MB8
DWG. NO.

THE REPRODUCTION, DISTRIBUTION AND UTILIZATION OF THIS DOCUMENT AS WELL AS THE COMMUNICATION OF ITS CONTENTS TO OTHER WITHOUT EXPLICIT AUTHORIZATION IS PROHIBITED. OFFENDERS WILL BE HELD LIABLE FOR THE PAYMENT OF DAMAGES. ALL RIGHT RESERVED IN THE EVENT OF A PATENT, UTILITY MODEL OR DESIGN. (PER ISO 15018)