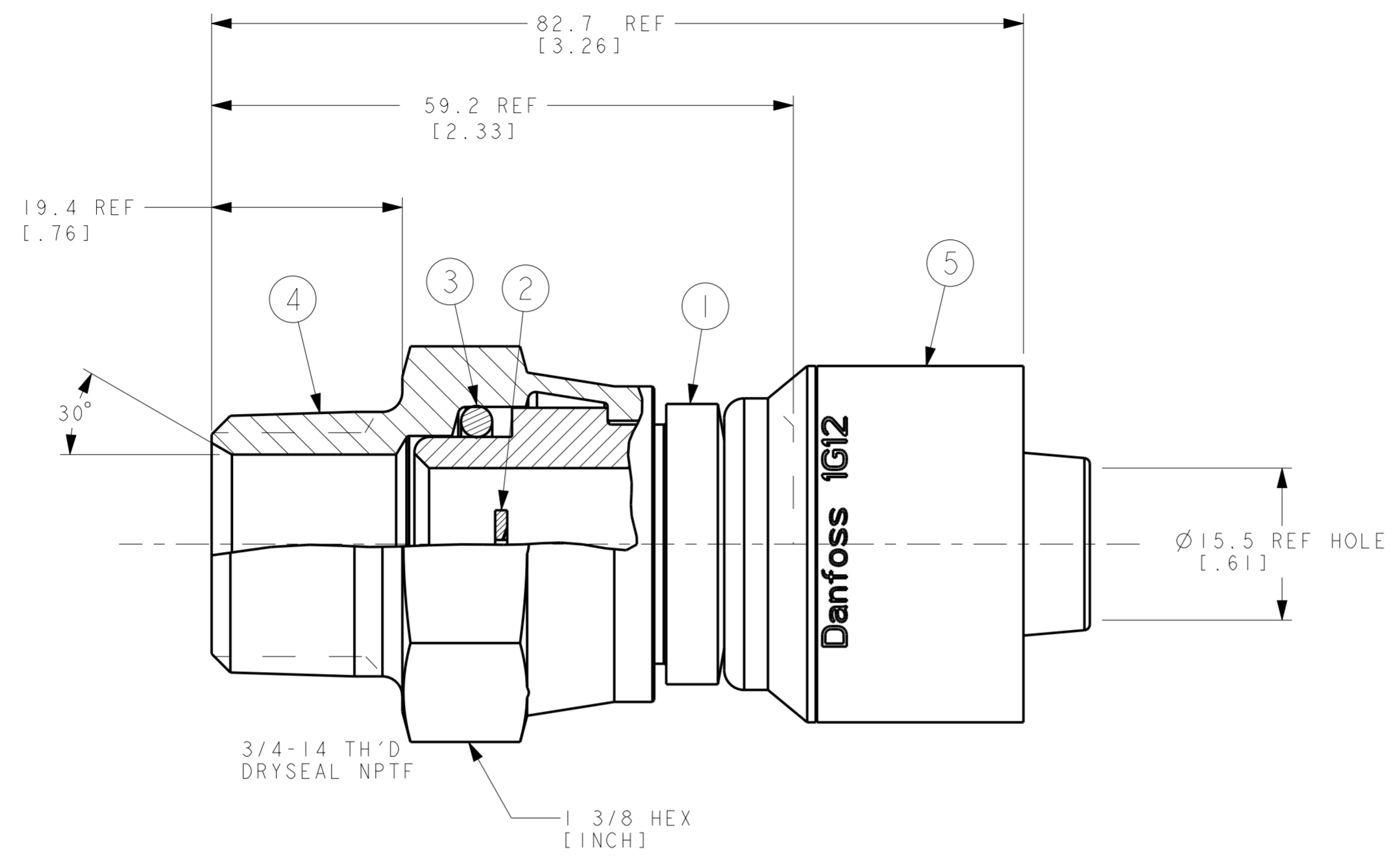


REVISIONS			
REV	DESCRIPTION	DATE	APPROVED
C	REDRAWN AND REDESIGNED UPDATED IN LATEST FORMAT & DIMENSION STYLE. 1) WAS "IF40005-1212-S", 2) WAS "221033-12-12S".	2009-03-13 AGV/SRH	0023875-ECO DP-1299



3. PROCESS AS FOLLOWS:
 - (a) ASSEMBLE NUT PER ACES 2813 AND 100% INSPECT TO INSURE NUT SWIVELS.
 - (b) ASSEMBLE SOCKET PER ACES 2813.
2. ISAI2PS12 NIPPLE ASSEMBLY MAY BE SUBSTITUTED FOR ITEMS #1, #2, #3 AND #4.
1. DIMENSIONS ARE IN MILLIMETERS [INCHES].

IGAI2PS12	IF40134-1212-S	22049-212	22550-212	FWI764-1212S	1G12
PART NUMBER	① NIPPLE	② BACK-UP RING	③ O-RING	④ NUT	⑤ SOCKET

LIST OF MATERIALS		FLUID CONVEYANCE DIVISION MAUMEE, OHIO U.S.A.		DRAWN A. VARANKAR	
ITEM NO.	MATERIAL			CHECKED	S. HASABE
1	STEEL			APPROVED	R. RUTSCHILLING
2	TEFLON			RELEASE DATE	2009-03-13
3	NITRILE (BUNA-N)			DRAWING INTERPRETATION PER ES 10	
4	STEEL			DRAWING TITLE	
5	STEEL	0023875-ECO DP-1299 CAGE CODE 01276 THIRD ANGLE PROJECTION DIST R SIZE A2 SCALE 2/1 SHEET 1		FITTING ASSEMBLY MALE PIPE SWIVEL, OTC DRAWING NUMBER IGAI2PS12 REV C	
<small>THE REPRODUCTION, DISTRIBUTION, AND UTILIZATION OF THIS DOCUMENT AS WELL AS THE COMMUNICATION OF ITS CONTENTS TO OTHERS WITHOUT EXPLICIT AUTHORIZATION IS PROHIBITED. OFFENDERS WILL BE HELD LIABLE FOR THE PAYMENT OF DAMAGES. ALL RIGHTS RESERVED IN THE EVENT OF THE GRANT OF A PATENT, UTILITY MODEL OR DESIGN. (PER ISO 16016)</small>					

REV. C
 SH. 1
 IGAI2PS12
 DWG. NO.