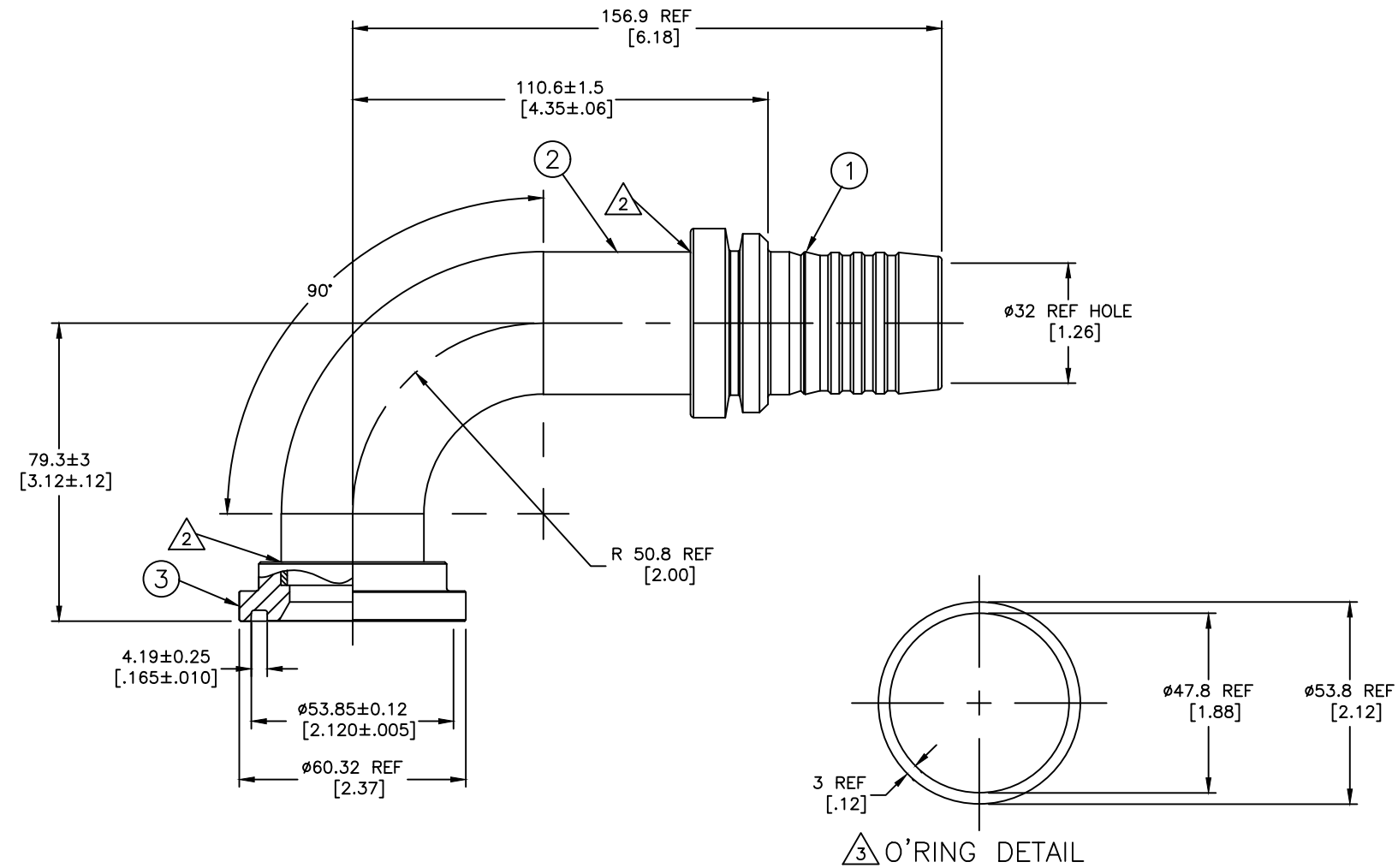


REVISIONS			
REV	DESCRIPTION	DATE	APPROVED
H	REDRAWN - REDESIGNED (1) ADDED INCH DIMENSIONS AND NOTE #4. (2) ADDED ALLITERATE CONSTRUCTION.	2002-05-21	EN-F22889 DP-1299
J	1) FINISH WAS "ZINC PLATE PER 2751"	2020-01-28 RZH	CO-0199250 A-2020/7572



METRIC

- 5. ALTERNATIVE CONSTRUCTION. (H/2)
- 4. DIMENSIONS ARE IN MILLIMETERS [INCHES]. (H/1)
- 3. O-RING SHOWN FOR REFERENCE ONLY: SUPPLIED BUT NOT FURNISHED WITH ASSEMBLY.
- 2. BRAZE PER ACES 2814.
- 1. ZINC PLATE PER ES 2751DB. (J/1)

5	1S24FLB24	1F90001-3824AR	19.020-38.28	17.007-38-24		
	1S24FLB24	1F40014-2424AB	1F40034-24-02AB	4624-24S		
	AEROQUIP PART NUMBER	1 NIPPLE	2 ELBOW	3 SHOULDER		

LIST OF MATERIALS

ITEM NO.	MATERIAL
1	STEEL
2	STEEL
3	STEEL

DRAWN W.R.HYDE CHECKED B.THOMAS APPROVED B.THOMAS RELEASE DATE 2002-05-21 EN-F22889 DP-1299 THIRD ANGLE PROJECTION	FLUID CONVEYANCE DIVISION DRAWING TITLE NIPPLE ASSEMBLY 90°, SPLIT FLANGE TYPE (CODE61), 2781 HOSE
SIZE A2 SCALE 1/1	DRAWING NUMBER 1S24FLB24 DIST U CAGE CODE 01276 SHEET
REV J	

THE REPRODUCTION, DISTRIBUTION AND UTILIZATION OF THIS DOCUMENT, AS WELL AS THE COMMUNICATION OF ITS CONTENTS TO OTHERS WITHOUT EXPLICIT AUTHORIZATION IS PROHIBITED. OFFENDERS WILL BE HELD LIABLE FOR THE PAYMENT OF DAMAGES. ALL RIGHTS RESERVED IN THE EVENT OF THE GRANT OF A PATENT, UTILITY MODEL OR DESIGN. (PER ISO 15015)