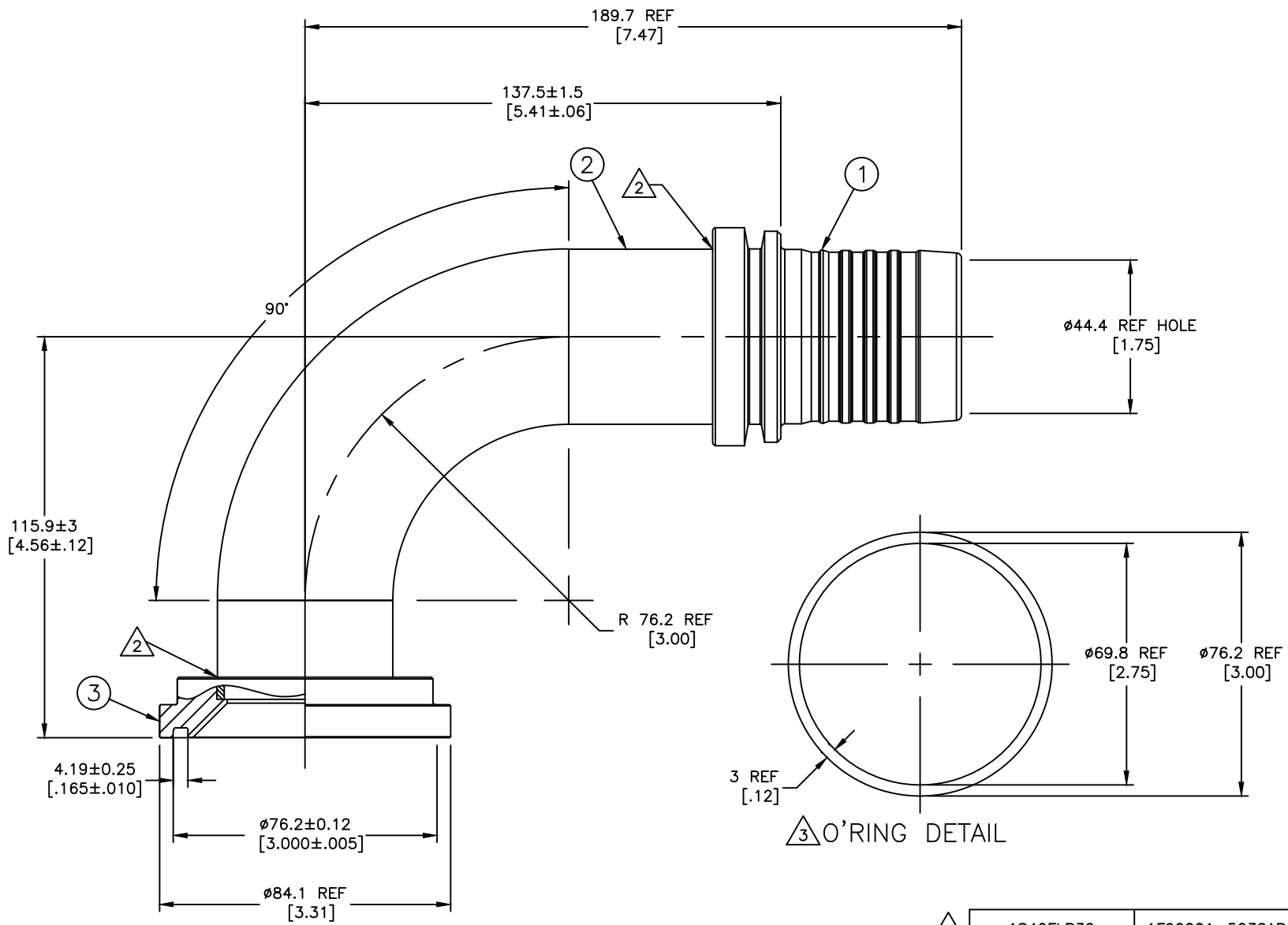


REVISIONS			
REV	DESCRIPTION	DATE	APPROVED
J	REDRAWN - REDESIGNED (1) ADDED INCH DIMENSIONS AND NOTE #4. (2) ADDED ALLITERATE CONSTRUCTION.	2002-05-21	EN-F22889 DP-1299
K	1) FINISH WAS "ZINC PLATE PER ACES 2751"	2020-01-28 RZH	CO-0199250 A-2020/7572



METRIC

- 5. ALTERNATIVE CONSTRUCTION. (1/2)
- 4. DIMENSIONS ARE IN MILLIMETERS [INCHES]. (1/1)
- 3. O-RING SHOWN FOR REFERENCE ONLY: SUPPLIED BUT NOT FURNISHED WITH ASSEMBLY.
- 2. BRAZE PER ACES 2814.
- 1. ZINC PLATE PER ES 2751DB. (K)

5	1S40FLB32	1F90001-5032AR	19.020-50.2	17.007-50-40		
	1S40FLB32	1F40014-3232AB	1F40034-32-01AB	4624-40-32S		
	AEROQUIP PART NUMBER	1 NIPPLE	2 ELBOW	3 SHOULDER		

LIST OF MATERIALS

ITEM NO.	MATERIAL
1	STEEL
2	STEEL
3	STEEL

DRAWN: W.R.HYDE
 CHECKED: B.THOMAS
 APPROVED: B.THOMAS
 RELEASE DATE: 2002-05-21
 EN-F22889
 DP-1299
 THIRD ANGLE PROJECTION

Danfoss FLUID CONVEYANCE DIVISION
 DRAWING TITLE: NIPPLE ASSEMBLY
 90°, SPLIT FLANGE TYPE (CODE 61),
 2781 HOSE

SIZE: A2
 DRAWING NUMBER: 1S40FLB32
 REV: K

SCALE: 1/1
 DIST: U
 CAGE CODE: 01276
 SHEET: 1

THE REPRODUCTION, DISTRIBUTION AND UTILIZATION OF THIS DOCUMENT, AS WELL AS THE COMMUNICATION OF ITS CONTENTS TO OTHERS WITHOUT EXPLICIT AUTHORIZATION IS PROHIBITED. OFFENDERS WILL BE HELD LIABLE FOR THE PAYMENT OF DAMAGES. ALL RIGHTS RESERVED IN THE EVENT OF THE GRANT OF A PATENT, UTILITY MODEL OR DESIGN. (PER ISO 16016)