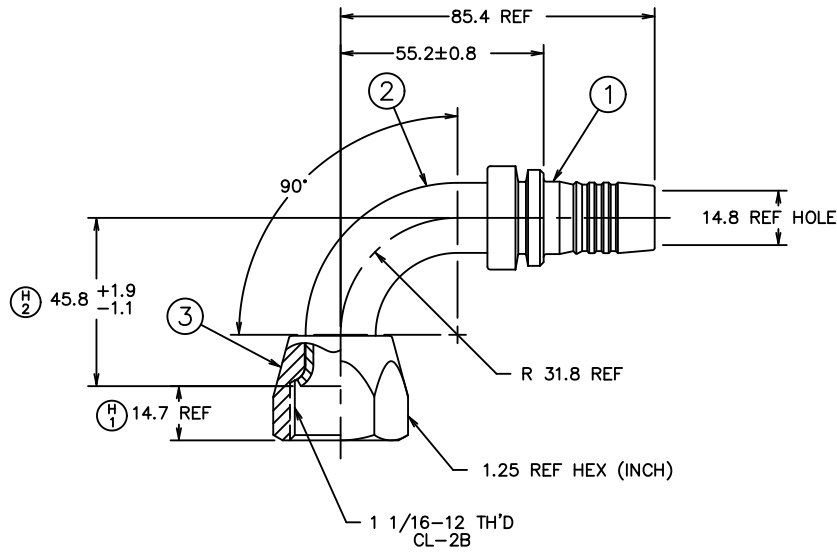


REVISIONS			
REV	DESCRIPTION	DATE	APPROVED
H	REDRAWN - SUPERSEDES 1SA_FJB_SHEET 1/2 REV."G" FOR 1SA12FJB12 (1) WAS 16.3 REF (2) WAS 45.8+1.9-1	11-9-95	EN-F16025 DP-24900
J	1) NOTE #1(b) WAS ZINC PLATE PER ACES 2751	2020-06-18 ARK	CO-0203557



85.4	3.36
55.2±0.8	2.173±.031
45.8 +1.9 -1.1	1.80 +.08 -.04
31.8	1.25
14.8	.58
14.7	.58
MM	INCH

CONVERSION

METRIC

1SA12FJB12	1F40014-1212AB	1F40016-12-01AB	210201-12S		
AEROQUIP PART NUMBER	① NIPPLE	② ELBOW	③ NUT		
LIST OF MATERIALS					
ITEM NO.	MATERIAL	DRAWN R.D. GARRETT CHECKED M. MOLINA APPROVED R.D. GARRETT RELEASE DATE 1995-11-10 EN-F16025 DP-24900 THIRD ANGLE PROJECTION			
1	STEEL	FLUID CONVEYANCE DIVISION DRAWING TITLE NIPPLE ASSEMBLY 90°, SAE 37° SWIVEL 2781 HOSE SIZE A2 DRAWING NUMBER 1SA12FJB12 REV J SCALE 1/1 DIST U CAGE CODE 01276 SHEET 1			
2	STEEL				
3	STEEL				
THE REPRODUCTION, DISTRIBUTION AND UTILIZATION OF THIS DOCUMENT AS WELL AS THE COMMUNICATION OF ITS CONTENTS TO OTHERS WITHOUT EXPLICIT AUTHORIZATION IS PROHIBITED. OFFENDERS WILL BE HELD LIABLE FOR THE PAYMENT OF DAMAGES. ALL RIGHT RESERVED IN THE EVENT OF THE GRANT OF A PATENT, UTILITY MODEL OR DESIGN. (PER ISO 18016)					

② CAN BE MADE FROM TUBING PER SPECIFICATIONS ON ELBOW DRAWING.

1. PROCESS AS FOLLOWS:  
 (a) BRAZE PER ACES 2814.  
 (b) ZINC PLATE PER ES 2751DB. ④  
 (c) ASSEMBLE NUT AND FLARE ELBOW PER FF481.