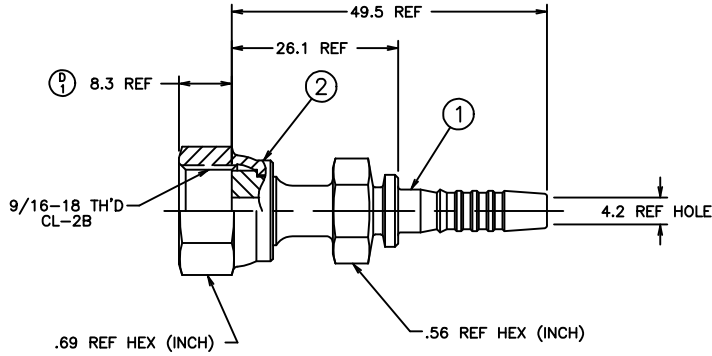


THE REPRODUCTION, DISTRIBUTION AND UTILIZATION OF THIS DOCUMENT AS WELL AS THE COMMUNICATION OF ITS CONTENTS TO OTHERS WITHOUT EXPRESS AUTHORIZATION IS PROHIBITED. OFFENDERS WILL BE HELD LIABLE FOR THE PAYMENT OF DAMAGES. ALL RIGHT RESERVED IN THE EVENT OF THE GRANT OF A PATENT, UTILITY MODEL OR DESIGN. (PER ISO 18016)

REVISIONS			
REV	DESCRIPTION	DATE	APPROVED
D	REDRAWN - SUPERSEDES 1SA_FR_SHEET 1/2 REV. C FOR 1SA4FR4 (1) WAS 8.2 REF	10-25-95	EN-F16048 DP-24900



49.5	1.95
26.1	1.03
8.3	.33
4.2	.17
MM	INCH

CONVERSION

METRIC

CONVERTED DRAWING CADMAN to AutoCAD 18/98

1SA4FR4	1F40010A0404-S	FC1473-04S			
AEROQUIP PART NUMBER	① NIPPLE	② NUT			
LIST OF MATERIALS					
ITEM NO.	MATERIAL	DRAWN R.D.GARRETT			
1	STEEL	CHECKED M.MOLINA			
2	STEEL	APPROVED R.D.GARRETT			
		RELEASE DATE 10-26-95			
		EN-F16048 DP-24900			
		SIZE C	DRAWING NUMBER 1SA4FR4	REV D	
		SCALE 2/1	DIST U	CAGE CODE 01276	SHEET NO

1. CRIMP NUT PER ACES 2409P1.

DWG. NO. 1SA4FR4 SH. REV. D