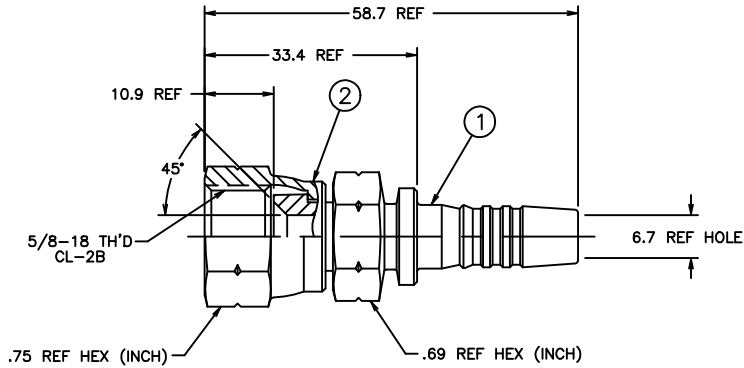


THE REPRODUCTION, DISTRIBUTION AND UTILIZATION OF THIS DOCUMENT AS WELL AS THE COMMUNICATION OF ITS CONTENTS TO OTHERS WITHOUT EXPRESS AUTHORIZATION IS PROHIBITED. OFFENDERS WILL BE HELD LIABLE FOR THE PAYMENT OF DAMAGES. ALL RIGHTS RESERVED IN THE EVENT OF THE GRANT OF A PATENT, UTILITY MODEL OR DESIGN. (PER ISO 18016)

REVISIONS			
REV	DESCRIPTION	DATE	APPROVED
F	REDRAWN - SUPERSEDES 1SA_FS... REV. 'E' FOR 1SA6FS6	2-2-95	EN-F15485 DP-24900



58.7	2.31
33.4	1.31
10.9	.43
6.7	.26
MM	INCH

CONVERSION

METRIC

CONVERTED DRAWING CADAM to AutoCAD 18/98

DWG. NO. 1SA6FS6 SH. REV. F

1. CRIMP NUT PER ACES 2409P3.

1SA6FS6	1F40001A0606-S	210224-6S			
AEROQUIP PART NUMBER	①	NIPPLE	②	NUT	
LIST OF MATERIALS					
ITEM NO.	MATERIAL		DRAWN R. WILLIAMS		
1	STEEL		FLUID CONVEYANCE DIVISION DRAWING TITLE NIPPLE ASSEMBLY SAE 45° SWIVEL, 2781 HOSE		
2	STEEL				
			CHECKED R.D. GARRETT	APPROVED R.D. GARRETT	
			RELEASE DATE 2-2-95		
			EN-F15485 DP-24900		SIZE C
			DRAWING NUMBER 1SA6FS6		REV F
			HIGH ANGLE PROJECTION		
			SCALE 2/1	DIST U	CAGE CODE 01276
			SHEET NO		