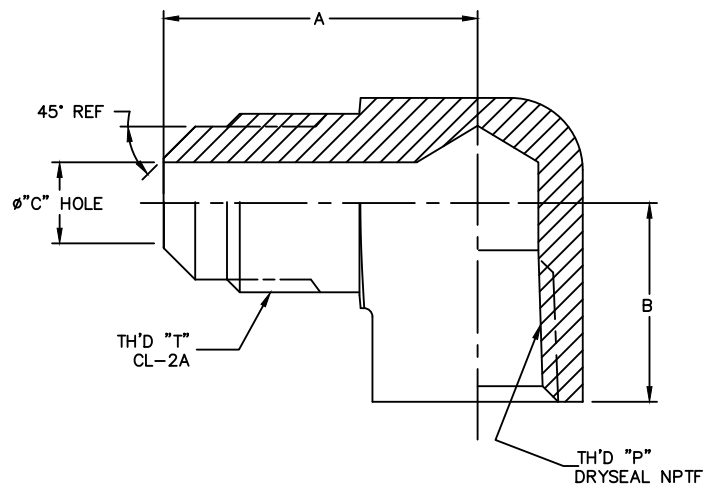


AEROQUIP PART NUMBER	WEATHERHEAD PART NUMBER	TH'D "P"	TH'D "T"	A REF	B REF	C REF
2002-2-4B	50x4	1/8-27	7/16-20	22.4 [.88]	11.9 [.47]	4.8 [.19]
2002-4-4B	50x4x4	1/4-18	7/16-20	24.6 [.97]	17.5 [.69]	4.8 [.19]
2002-4-6B	50x6	1/4-18	5/8-18	27.7 [1.09]	17.5 [.69]	7.1 [.28]
2002-6-8B	-	3/8-18	3/4-16	32.5 [1.28]	28.4 [1.12]	10.4 [.41]
2002-8-8B	-	1/2-14	3/4-16	35.1 [1.38]	23.9 [.94]	10.4 [.41]
2002-8-10B	50x10	1/2-14	7/8-14	38.1 [1.50]	25.4 [1.00]	12.7 [.50]
2002-12-12B	-	3/4-14	1 1/16-14	45.2 [1.78]	26.9 [1.06]	16 [.63]

REVISIONS			
REV	DESCRIPTION	DATE	APPROVED
C	REDRAWN & REDESIGNED. UPDATED TO DANFOSS FORMAT & DIMENSION STYLE. 1) ADDED AEROQUIP PART NOS 2002-4-6B, 2002-8-10B. 2) REMOVED AEROQUIP PART NUMBER 2002-2-5B. 3) ADDED WEATHERHEAD PART NOS. 50X4, 50X4X4, 50X6 & 50X10.	2013-07-23 HLV/DHS	0085838-ECO

① ② ③



METRIC

- 2. BRASS FORGING IS ACCEPTABLE ALTERNATE, PROVIDED PARTS MUST COMPLY WITH SAE J513.
- 1. DIMENSIONS ARE IN MILLIMETERS [INCHES].

DRAWN H. VENGURLEKAR CHECKED D. SHEWALE APPROVED Y. KULKARNI RELEASE DATE 2013-07-23 0085838-ECO	FLUID CONVEYANCE DIVISION DRAWING TITLE <b>ADAPTER</b> 90°, SAE 45° MALE FLARE TO FEMALE PIPE
THIRD ANGLE PROJECTION 	SIZE A2 SCALE NONE DIST U CAGE CODE 01276 SHEET 1
THE REPRODUCTION, DISTRIBUTION AND UTILIZATION OF THIS DOCUMENT AS WELL AS THE COMMUNICATION OF ITS CONTENTS TO OTHERS WITHOUT EXPLICIT AUTHORIZATION IS PROHIBITED. OFFENDERS WILL BE HELD LIABLE FOR THE PAYMENT OF DAMAGES. ALL RIGHT RESERVED IN THE EVENT OF THE GRANT OF A PATENT, UTILITY MODEL OR DESIGN. (PER ISO 16016)	

DWG. NO. 2002-B  
REV. C  
SH. 1