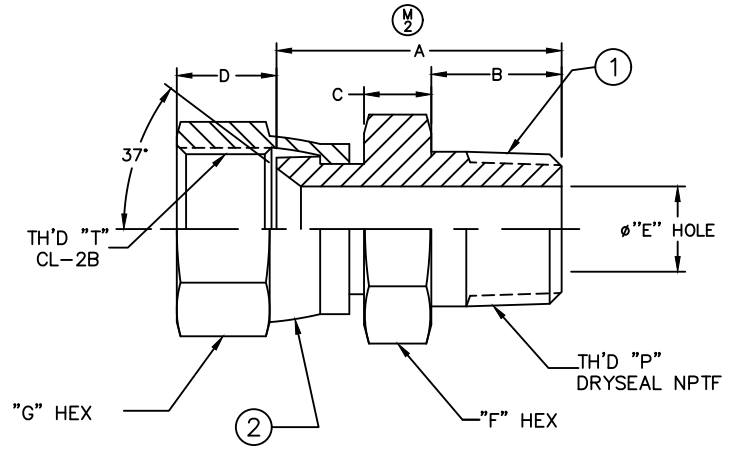


WEATHERHEAD PART NUMBER	PART NUMBER	TH'D 'P'	TH'D 'T'	A REF	B REF	C REF	D REF	E REF	F REF	G REF
9100X4X2	2018-2-4S	1/8-27	7/16-20	24.1 [.95]	10.2 [.40]	6.4 [.25]	9.4 [.37]	4.3 [.17]	9/16	9/16
9100X4X4	2018-4-4S	1/4-18	7/16-20	28.7 [1.13]	14.7 [.58]	6.4 [.25]	9.4 [.37]	4.3 [.17]	9/16	9/16
9100X5X4	2018-4-5S	1/4-18	1/2-20	29.2 [1.15]	14.2 [.56]	6.4 [.25]	10.2 [.40]	5.8 [.23]	9/16	5/8
9100X6X4	2018-4-6S	1/4-18	9/16-18	30.2 [1.19]	14.7 [.58]	6.4 [.25]	10.2 [.40]	7.1 [.28]	11/16	11/16
9100X6X6	2018-6-6S	3/8-18	9/16-18	30.2 [1.19]	14.7 [.58]	6.4 [.25]	10.2 [.40]	7.6 [.30]	11/16	11/16
9100X8X6	2018-6-8S	3/8-18	3/4-16	33 [1.3]	14.7 [.58]	7.9 [.31]	11.2 [.44]	9.9 [.39]	7/8	7/8
9100X10X6	2018-6-10S	3/8-18	7/8-14	35.6 [1.40]	14.2 [.56]	9.4 [.37]	13.2 [.52]	10.4 [.41]	1	1
9100X8X8	2018-8-8S	1/2-14	3/4-16	37.8 [1.49]	19.3 [.76]	7.9 [.31]	11.2 [.44]	9.9 [.39]	7/8	7/8
9100X10X8	2018-8-10S	1/2-14	7/8-14	40.6 [1.60]	19.3 [.76]	9.7 [.38]	13.2 [.52]	12.2 [.48]	1	1
9100X12X8	2018-8-12S	1/2-14	1 1/16-12	41.9 [1.65]	19.3 [.76]	11.4 [.45]	14.5 [.57]	13.5 [.53]	1 1/4	1 1/4
9100X12X12	2018-12-12S	3/4-14	1 1/16-12	40.1 [1.58]	19.3 [.76]	9.7 [.38]	14.5 [.57]	15.5 [.61]	1 1/4	1 1/4
9100X16X12	2018-12-16S	3/4-14	1 5/16-12	44.4 [1.75]	19.3 [.76]	11.2 [.44]	15.2 [.60]	18 [.71]	1 1/2	1 1/2
9100X16X16	2018-16-16S	1-11 1/2	1 5/16-12	49.3 [1.94]	24.4 [.96]	11.2 [.44]	15.2 [.60]	21.3 [.84]	1 1/2	1 1/2
9100X20X20	2018-20-20S	1 1/4-11 1/2	1 5/8-12	54.4 [2.14]	24.9 [.98]	12.7 [.50]	16.3 [.64]	27.4 [1.08]	2	2

①

REVISIONS			
REV	DESCRIPTION	DATE	APPROVED
L	REDRAWN, UPDATED TO DANFOSS FORMAT AND DIMENSION STYLE. 1) ADDED PART NUMBERS. 2018-4-5S, 2018-6-10S 2018-8-10S, 2018-8-12S 2018-12-16S. 2) ADDED EQUIVALENT WEATHERHEAD PART NUMBERS.	2011-12-06 ONJ/PSW	0064158-ECO
M	1) ADDED EQUIVALENT WEATHERHEAD PART NUMBER. 2) UPDATED DIMENSION ATTACHMENT.	2012-03-01 ONJ/PSW	0067299-ECO



②

④	2018-20-20S	2018-1-20-20S	210204-20S		
	2018-16-16S	2018-1-16-16S	210204-16S		
④	2018-12-16S	2018-1-12-16S	210204-16S		
	2018-12-12S	2018-1-12-12S	210204-12S		
④	2018-8-12S	2018-1-8-12S	210204-12S		
	2018-8-10S	2018-1-8-10S	210204-10S		
④	2018-8-8S	2018-1-8-8S	210204-8S		
	2018-6-10S	2018-1-6-10S	210204-10S		
	2018-6-8S	2018-1-6-8S	210204-8S		
	2018-6-6S	2018-1-6-6S	210204-6S		
	2018-4-6S	2018-1-4-6S	210204-6S		
④	2018-4-5S	2018-1-4-5S	210204-5S		
	2018-4-4S	2018-1-4-4S	210204-4S		
	2018-2-4S	2018-1-2-4S	210204-4S		
	AEROQUIP PART NUMBER	① ADAPTER	② NUT		

REV. M
SH. 1
2018
DWG. NO.

LIST OF MATERIALS

ITEM NO.	MATERIAL	DRAWN O. JADHAV	CHECKED P. WARUDKAR	APPROVED	RELEASE DATE 2011-12-06 0064158-ECO	SIZE A2	DRAWING NUMBER 2018	REV M
1	STEEL							
2	STEEL							

FLUID CONVEYANCE DIVISION
DRAWING TITLE
ADAPTER MALE PIPE TO 37° SWIVEL
SCALE NONE DIST U CAGE CODE 01276 SHEET 1

THE REPRODUCTION, DISTRIBUTION AND UTILIZATION OF THIS DOCUMENT AS WELL AS THE COMMUNICATION OF ITS CONTENTS TO OTHERS WITHOUT EXPLICIT AUTHORIZATION IS PROHIBITED. OFFENDERS WILL BE HELD LIABLE FOR THE PAYMENT OF DAMAGES. ALL RIGHT RESERVED IN THE EVENT OF THE GRANT OF A PATENT, UTILITY MODEL OR DESIGN. (PER ISO 16016)

1. DIMENSIONS ARE IN MILLIMETERS [INCH].