

BE 2



PART NUMBER	WEATHERHEAD PART NUMBER	TH'D "P"	TH'D "T"	A REF	B REF	C REF	D REF
2023-2-6S	C5355X6X2	1/8-27	9/16-18	21.1 [.83]	17 [.67]	7.6 [.30]	4.8 [.19]
2023-4-4S	C5355X4X4	1/4-18	7/16-20	20.8 [.82]	21.8 [.86]	4.3 [.17]	7.1 [.28]
2023-4-5S	C5355X5X4	1/4-18	1/2-20	20.8 [.82]	21.8 [.86]	5.8 [.23]	7.1 [.28]
2023-4-6S	C5355X6	1/4-18	9/16-18	21.1 [.83]	21.8 [.86]	7.6 [.30]	7.1 [.28]
2023-4-8S	C5355X8X4	1/4-18	3/4-16	24.9 [.98]	24.1 [.95]	9.9 [.39]	7.1 [.28]
2023-6-4S	C5355X4X6	3/8-18	7/16-20	21.6 [.85]	24.1 [.95]	4.3 [.17]	10.4 [.41]
2023-6-6S	C5355X6X6	3/8-18	9/16-18	22.1 [.87]	24.1 [.95]	7.6 [.30]	10.4 [.41]
2023-6-8S	C5355X8	3/8-18	3/4-16	24.9 [.98]	24.1 [.95]	9.9 [.39]	10.4 [.41]
2023-6-10S	C5355X10X6	3/8-18	7/8-14	28.2 [1.11]	24.9 [.98]	12.2 [.48]	10.4 [.41]
2023-6-12S	C5355X12X6	3/8-18	1 1/16-12	32.5 [1.28]	25.7 [1.01]	15.5 [.61]	10.4 [.41]
2023-8-8S	C5355X8X8	1/2-14	3/4-16	25.1 [.99]	29.7 [1.17]	9.9 [.39]	13.5 [.53]
2023-8-10S	C5355X10	1/2-14	7/8-14	28.2 [1.11]	29.7 [1.17]	12.2 [.48]	13.5 [.53]
2023-8-12S	C5355X12X8	1/2-14	1 1/16-12	32.5 [1.28]	30.5 [1.20]	15.5 [.61]	13.5 [.53]
2023-8-16S	C5355X16X8	1/2-14	1 5/16-12	37.3 [1.47]	32.8 [1.29]	21.3 [.84]	13.5 [.53]
2023-12-8S	C5355X8X12	3/4-14	3/4-16	26.4 [1.04]	30.5 [1.20]	9.9 [.39]	18.3 [.72]
2023-12-10S	C5355X10X12	3/4-14	7/8-14	29.5 [1.16]	30.5 [1.20]	12.2 [.48]	18.3 [.72]
2023-12-12S	C5355X12	3/4-14	1 1/16-12	32.5 [1.28]	30.5 [1.20]	15.5 [.61]	18.3 [.72]
2023-12-16S	C5355X16X12	3/4-14	1 5/16-12	37.3 [1.47]	32.8 [1.29]	21.3 [.84]	18.3 [.72]
2023-16-12S	C5355X12X16	1-11 1/2	1 1/16-12	36.1 [1.42]	37.6 [1.48]	15.5 [.61]	23.9 [.94]
2023-16-16S	C5355X16	1-11 1/2	1 5/16-12	37.3 [1.47]	37.6 [1.48]	21.3 [.84]	23.9 [.94]
2023-16-20S	C5355X20X16	1-11 1/2	1 5/8-12	40.4 [1.59]	41.7 [1.64]	27.4 [1.08]	23.9 [.94]
2023-20-20S	C5355X20	1 1/4-11 1/2	1 5/8-12	40.4 [1.59]	42.4 [1.67]	27.4 [1.08]	31.8 [1.25]
2023-2-5S	C5355X5	1/8-27	1/2-20	19.6 [.77]	16.3 [.64]	6 [.24]	4.8 [.19]
2023-32-32S	C5355X32	2-11 1/2	2 1/2-12	56.4 [2.22]	53.6 [2.11]	45.2 [1.78]	49 [1.93]

BE 1

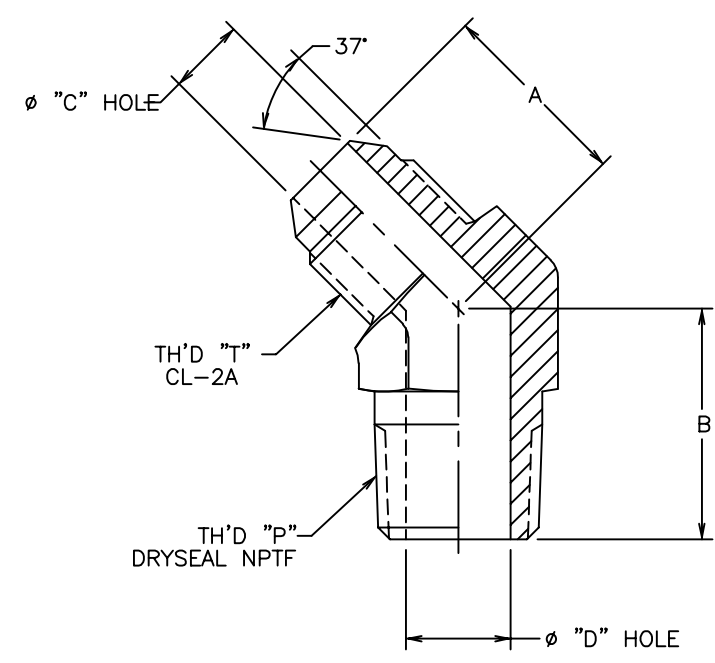
BF 1

BF 1

BB 2 BC 2

2. MATERAIL: STEEL  
1. DIMENSIONS ARE IN MILLIMETERS [INCH].

REVISIONS			
REV	DESCRIPTION	DATE	APPROVED
BD	(1) REDRAWN, ADDED WEATHERHEAD CATALOG NUMBER.	2000-06-06 JEEJ/W.R.H.	EN-F25087 DP-1511
BE	1) WEATHERHEAD PART NUMBER WAS C5355X4. 2) WAS WHEATHERHEAD PART NUMBER.	2004-09-20 BAL/BAT	EN-F26900 DP-1513
BF	1) ADDED PARTS #2023-2-5S AND #2023-32-32S.	2015-12-02 RZH/VSP	0117031- ECO



METRIC

DRAWN J EBERSOLE		INDUSTRIAL SECTOR	
CHECKED W.R.HYDE		HYDRAULICS GROUP, FLUID CONVEYANCE PRODUCTS, MAUMEE, OHIO U.S.A.	
APPROVED M.SMITH		DRAWING TITLE	
RELEASE DATE 2003-10-15		ADAPTER	
EN-F25087		SAE 37' FLARE - 45' MALE ELBOW (SAE #070302)	
DP-1513	SIZE A2	DRAWING NUMBER 2023-S	REV BF
THIRD ANGLE PROJECTION	SCALE * DIST U	CAGE CODE 01276	SHEET 2

EATON CORPORATION - CONFIDENTIAL AND PROPRIETARY NOTICE TO PERSONS RECEIVING THIS DOCUMENT AND/OR TECHNICAL INFORMATION  
THIS DOCUMENT, INCLUDING THE DRAWING AND INFORMATION CONTAINED THEREON, IS CONFIDENTIAL AND IS THE EXCLUSIVE PROPERTY OF EATON CORPORATION, AND IS  
HEREBY SO LENT AND SUBJECT TO RECALL BY EATON CORPORATION. NO PART OF THIS DOCUMENT, INCLUDING THE DRAWING AND INFORMATION CONTAINED  
HEREIN, IS TO BE REPRODUCED, COPIED, OR TRANSMITTED IN ANY MANNER WITHOUT THE WRITTEN PERMISSION OF EATON CORPORATION. ANY UNAUTHORIZED  
REPRODUCTION OR USE OF THIS DOCUMENT WITHOUT THE WRITTEN PERMISSION OF EATON CORPORATION IS PROHIBITED. THIS NOTICE SHALL REMAIN THE PROPERTY OF EATON CORPORATION.  
© 2003 Eaton Corporation - All Rights Reserved.