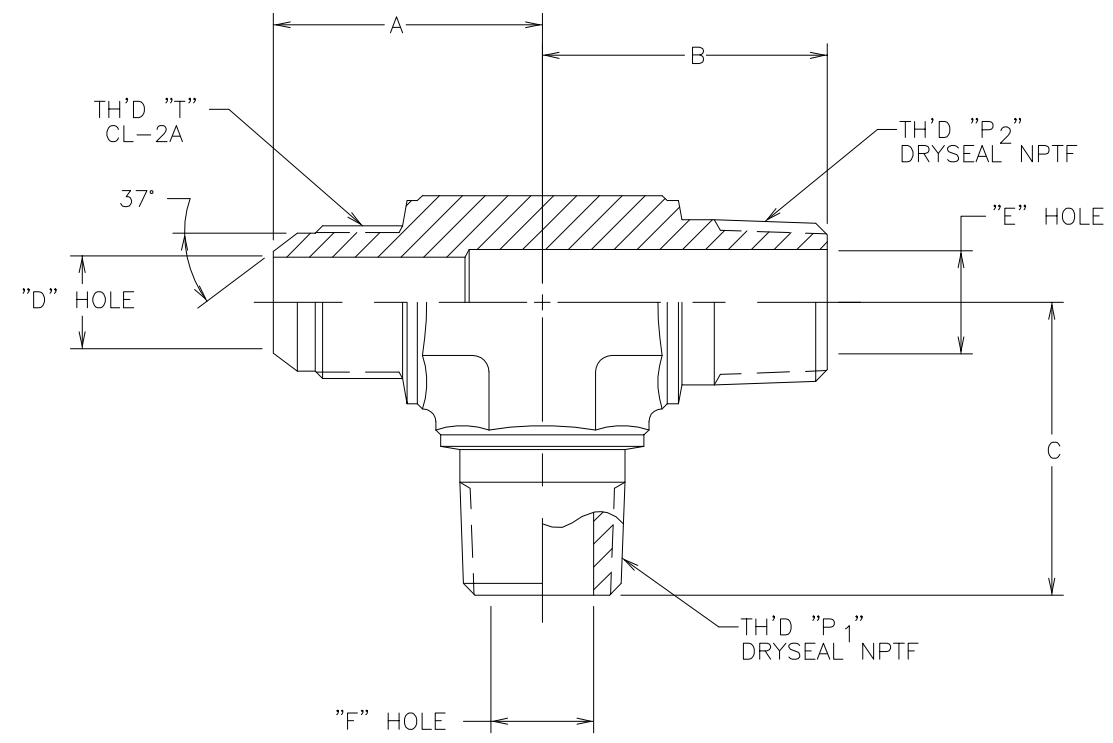


PART NUMBER	TH'D "P1"	TH'D "P2"	TH'D "T"	A REF	B REF	C REF	D REF	E REF	F REF
203007-2-4S	1/8-27	1/8-27	7/16-20	.89	.78	.78	.17	.19	.19
203007-4-6S	1/4-18	1/4-18	9-16-18	1.06	1.09	1.09	.30	.28	.28
203007-6-8S	3/8-18	3/8-18	3/4-16	1.25	1.22	1.22	.39	.41	.41
203007-8-10S	1/2-14	1/2-14	7/8-14	1.45	1.47	1.47	.48	.53	.53
203007-12-12S	3/4-14	3/4-14	1 1/16-12	1.66	1.59	1.59	.61	.72	.72
203007-16-16S	1-11 1/2	1-11 1/2	5/16-12	1.81	1.97	1.97	.84	.94	.94

REVISIONS			
REV.	DESCRIPTION	DATE	APPROVED



CONVERTED DRAWING CADAM to AutoCAD 9/98

1. MATERIAL: STEEL.

THE REPRODUCTION, DISTRIBUTION AND UTILIZATION OF THIS DOCUMENT AS WELL AS THE COMMUNICATION OF ITS CONTENTS TO OTHER WITHOUT EXPLICIT AUTHORIZATION IS PROHIBITED. OFFENDERS WILL BE HELD LIABLE FOR THE PAYMENT OF DAMAGES. ALL RIGHT RESERVED IN THE EVENT OF THE GRANT OF A PATENT, UTILITY MODEL OR DESIGN. (PER ISO 16016)

DRAWN T. KILLEBREW	DATE 5-24-94	Danfoss FLUID CONVEYANCE DIVISION
CHECKED R.D. GARRETT	DATE 5-24-94	
APPROVED R.D. GARRETT	DATE 5-24-94	DRAWING TITLE
RELEASED EN-F14940	DATE 5-24-94	ADAPTER TEE, SAE 37° MALE FLARE TO MALE PIPE WITH MALE PIPE BRANCH
PROJECT NO. DP-24771	APC NO.	SIZE (CAGE) CODE NO. DRAWING NUMBER
DESIGN APPROVED		C 01276 203007-S
APPROVED		U SHEET 2

DWG. NO. 203007-S SH. 2 REV.