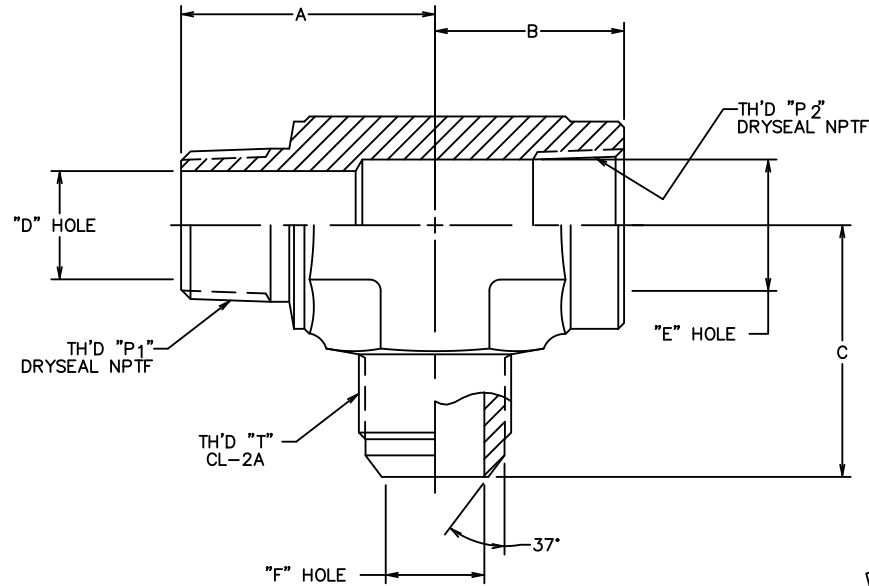


AEROQUIP PART NUMBER	TH'D "P ₁ "	TH'D "P ₂ "	TH'D "T"	A REF	B REF	C REF	D REF	E REF	F REF
203301-2-4S	1/8-27	1/8-27	7/16-20	19.8 [.78]	16.8 [.66]	27.4 [1.08]	4.8 [.19]	7.4 [.29]	4.3 [.17]
203301-4-6S	1/4-18	1/4-18	9/16-18	27.7 [1.09]	22.4 [.88]	31.2 [1.23]	7.1 [.28]	9.9 [.39]	7.6 [.30]
203301-6-8S	3/8-18	3/8-18	3/4-16	31 [1.22]	25.9 [1.02]	36.1 [1.42]	10.4 [.41]	13.5 [.53]	9.9 [.39]
203301-8-10S	1/2-14	1/2-14	7/8-14	37.3 [1.47]	31.2 [1.23]	41.7 [1.64]	13.5 [.53]	16.5 [.65]	12.2 [.48]
203301-12-12S	3/4-14	3/4-14	1 1/16-12	40.4 [1.59]	34.5 [1.36]	48 [1.89]	18.3 [.72]	21.6 [.85]	15.5 [.61]
203301-16-16S	1-11 1/2	1-11 1/2	1 5/16-12	50 [1.97]	41.1 [1.62]	55.1 [2.17]	23.9 [.94]	26.9 [1.06]	21.3 [.84]

REVISIONS			
REV.	DESCRIPTION	DATE	APPROVED
K	REDRAWN, UPDATED TO DANFOSS FORMAT & DIMENSION STYLE. CREATED ALTERNATE LANGUAGE DRAWING 1) ADDED ALTERNATIVE LANGUAGE TEXT BLOCK	2019-11-13 AAB	CO-0193762



(K)
 ALTERNATIVE LANGUAGE DRAWING
 ALL SHEETS MUST BE IDENTICAL
 AND WITH SAME REVISION LEVEL

- 2. MATERIAL: STEEL.
- 1. DIMENSIONS ARE IN MILLIMETERS [INCHES].

METRIC

DRAWN A. BODKE CHECKED A. BODKE APPROVED A. SHINDE RELEASE DATE 2019-11-13 CO-0193762	FLUID CONVEYANCE DIVISION		
DRAWING TITLE			
ADAPTER TEE, MALE PIPE TO FEMALE PIPE WITH SAE 37° MALE FLARE BRANCH			
THIRD ANGLE PROJECTION	SIZE A2	DRAWING NUMBER 203301-S	REV K
SCALE NONE	DIST U	CAGE CODE 01276	SHEET 1
<small>THE REPRODUCTION, DISTRIBUTION AND UTILIZATION OF THIS DOCUMENT AS WELL AS THE COMMUNICATION OF ITS CONTENTS TO OTHERS WITHOUT EXPLICIT AUTHORIZATION IS PROHIBITED. OFFENDERS WILL BE HELD LIABLE FOR THE PAYMENT OF DAMAGES. ALL RIGHT RESERVED IN THE EVENT OF THE GRANT OF A PATENT, UTILITY MODEL OR DESIGN. (PER ISO 18016)</small>			