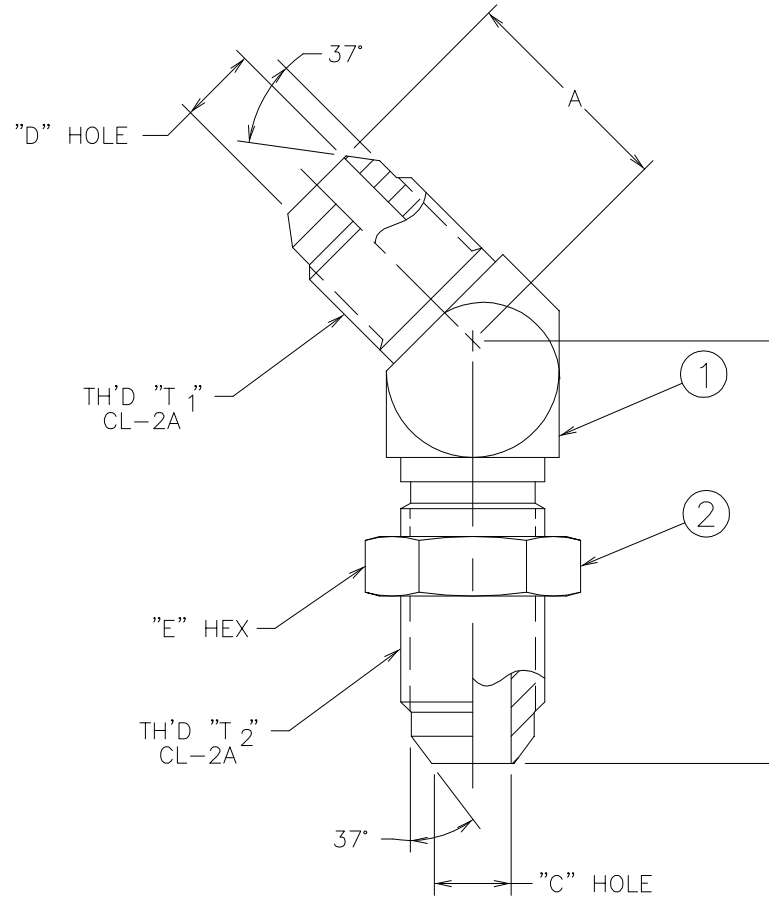


PART NUMBER	TH'D "T" "T 1"	TH'D "T" "T 2"	A REF	B REF	C REF	D REF	E REF
2042-12-12S	1 1/16-12	1 1/16-12	1.41	2.36	.61	.61	1.38
2042-16-16S	1 5/16-12	1 5/16-12	1.47	2.58	.84	.84	1.62
2042-20-20S	1 5/8-12	1 5/8-12	1.69	2.53	1.08	1.08	1.88

REVISIONS			
REV.	DESCRIPTION	DATE	APPROVED
W	REDRAWN ON CAD - LAST REV. "V" REMOVED MANUFACTURING DIMENSIONS, TOLERANCES & NOTES (1) REMOVED 2042-3-3S	4-7-97	EN-F17016 DP-24771

W
1



REV. W

SH. 1

DWG. NO. 2042-S

DWG. NO.

CONVERTED DRAWING CADAM to AutoCAD 8/98

2042-20-20S	2042-1-20-20S	210212-20S		
2042-16-16S	2042-1-16-16S	210212-16S		
2042-12-12S	2042-1-12-12S	210212-12S		
AEROQUIP PART NUMBER	① ADAPTER BODY	② JAM NUT		

LIST OF MATERIALS

ITEM NO.	MATERIAL	DRAWN R. DORAN	DATE 4-7-97	DRAWING TITLE ADAPTER
1	STEEL	CHECKED R. GARRETT	DATE 4-10-97	
2	STEEL	APPROVED R. GARRETT	DATE 4-10-97	
		RELEASED EN-F17016	DATE 4-10-97	SIZE (CAGE) CODE NO. DRAWING NUMBER C 01276 2042-S
		PROJECT NO. DP-24771	APC NO.	SHEET 1 OF 2
		DESIGN APPROVED		
		ITEM TYPE	MEBA	

THE REPRODUCTION, DISTRIBUTION AND UTILIZATION OF THIS DOCUMENT AS WELL AS THE COMMUNICATION OF ITS CONTENTS TO OTHER WITHOUT EXPLICIT AUTHORIZATION IS PROHIBITED. OFFENDERS WILL BE HELD LIABLE FOR THE PAYMENT OF DAMAGES. ALL RIGHT RESERVED IN THE EVENT OF THE GRANT OF A PATENT, UTILITY MODEL OR DESIGN. (PER ISO 16016)