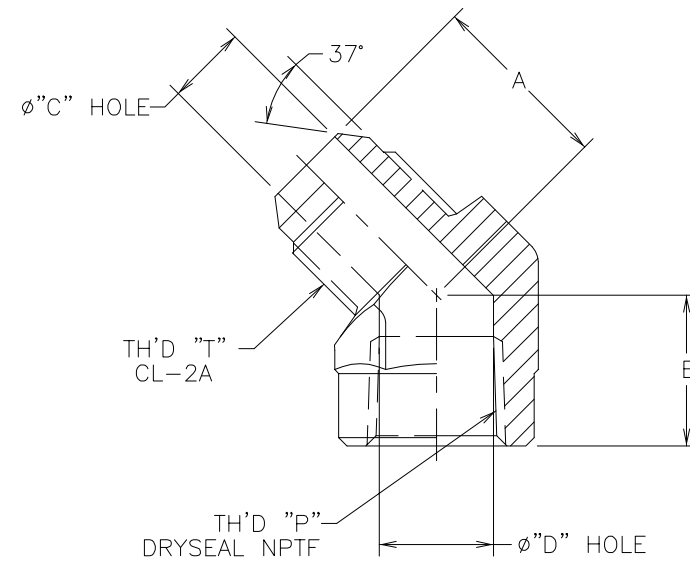


PART NUMBER	TH'D "P"	TH'D "T"	A REF	B REF	C REF	D REF
2044-4-4S	1/4-18	7/16-20	.82	.80	.17	.42
2044-4-6S	1/4-18	9/16-18	.93	.72	.30	.42
2044-6-8S	3/8-18	3/4-16	.98	.72	.39	.53
2044-8-10S	1/2-14	7/8-14	1.11	.91	.48	.65
2044-12-12S	3/4-14	1 1/16-12	1.28	.97	.61	.90

REVISIONS			
REV.	DESCRIPTION	DATE	APPROVED
A	(1) ADDED 2044-4-6S, -6-8S, & -12-12S (WAS BRAZE DESIGN) (2) REMOVED SHEET 2	12-29-93 R.D.G.	EN-F14483 DAI-17511
B	(1) ADDED 2044-4-4S (2) .93 WAS .83 .72 WAS .62 .42 WAS .39 (3) .90 WAS .85	2001-09-12 SM	EN-F21637 RPS-9929

(A)
1 (B)
1



REV. B
Sht. A
2
2044-S
DWG. NO.

1. MATERIAL: STEEL.

THE REPRODUCTION, DISTRIBUTION AND UTILIZATION OF THIS DOCUMENT AS WELL AS THE COMMUNICATION OF ITS CONTENTS TO OTHER WITHOUT EXPLICIT AUTHORIZATION IS PROHIBITED. OFFENDERS WILL BE HELD LIABLE FOR THE PAYMENT OF DAMAGES. ALL RIGHT RESERVED IN THE EVENT OF THE GRANT OF A PATENT, UTILITY MODEL OR DESIGN. (PER ISO 16016)

DRAWN K DOTSON	DATE 8-2-93	Danfoss FLUID CONVEYANCE DIVISION
CHECKED R.D.GARRETT	DATE 8-2-93	
APPROVED R.D.GARRETT	DATE 8-2-93	DRAWING TITLE ADAPTER
RELEASED EN-F13988	DATE 8-2-93	SAE 37° FLARE - 45° FEMALE PIPE ELBOW
PROJECT NO. DAI-17511	APC NO.	SIZE (CAGE) CODE NO. DRAWING NUMBER C 01276 2044-S (A) 2
DESIGN APPROVED	APPROVED	SHEET