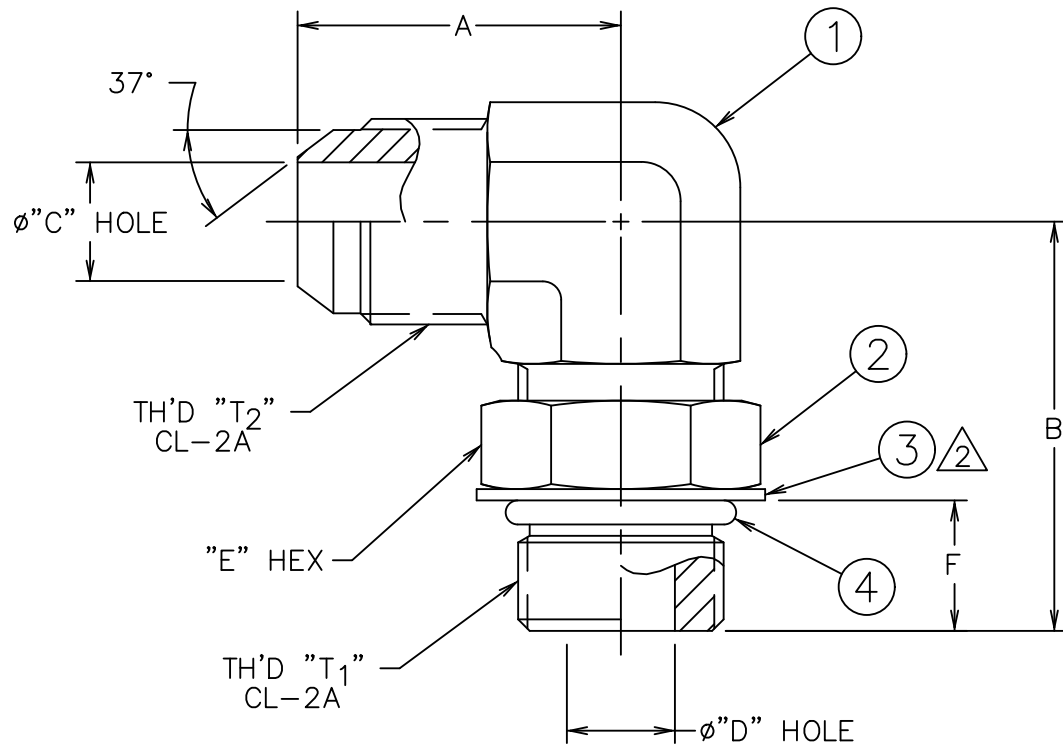


AEROQUIP PART NUMBER	WEATHERHEAD CATALOG NUMBER	TH'D "T1"	TH'D "T2"	A REF	B REF	C REF	D REF	E REF	F MIN
2062-3-5S	C5515X5X3	3/8-24	1/2-20	24.1 [.95]	25.9 [1.02]	5.8 [.23]	3 [.12]	1/2	8.05 [.317]
2062-3-6S	C5515X6X3	3/8-24	9/16-18	26.9 [1.06]	27.4 [1.08]	7.6 [.30]	3 [.12]	1/2	8.05 [.317]
2062-4-4S	C5515X4	7/16-20	7/16-20	22.6 [.89]	26.2 [1.03]	4.3 [.17]	4.3 [.17]	9/16	9.35 [.368]
2062-4-6S	C5515X6X4	7/16-20	9/16-18	26.9 [1.06]	30.2 [1.19]	7.6 [.30]	4.3 [.17]	9/16	9.35 [.368]
2062-4-5S	C5515X5X4	7/16-20	1/2-20	24.1 [.95]	28.7 [1.13]	5.8 [.23]	4.3 [.17]	9/16	9.35 [.368]
2062-5-4S	C5515X4X5	1/2-20	7/16-20	24.1 [.95]	28.7 [1.13]	4.3 [.17]	5.8 [.23]	5/8	9.35 [.368]
2062-5-5S	C5515X5	1/2-20	1/2-20	24.1 [.95]	28.7 [1.13]	5.8 [.23]	5.8 [.23]	5/8	9.35 [.368]
2062-5-6S	C5515X6X5	1/2-20	9/16-18	26.9 [1.06]	30.2 [1.19]	7.6 [.30]	5.8 [.23]	5/8	9.35 [.368]
2062-6-4S	C5515X4X6	9/16-18	7/16-20	26.7 [1.05]	31.8 [1.25]	4.3 [.17]	7.6 [.30]	11/16	10.54 [.415]
2062-6-5S	C5515X5X6	9/16-18	1/2-20	26.7 [1.05]	31.8 [1.25]	5.8 [.23]	7.6 [.30]	11/16	10.54 [.415]
2062-6-6S	C5515X6	9/16-18	9/16-18	26.9 [1.06]	31.8 [1.25]	7.6 [.30]	7.6 [.30]	11/16	10.54 [.415]
2062-6-8S	C5515X8X6	9/16-18	3/4-16	31.8 [1.25]	33.5 [1.32]	9.9 [.39]	7.6 [.30]	11/16	10.54 [.415]
2062-8-6S	C5515X6X8	3/4-16	9/16-18	29 [1.14]	36.8 [1.45]	7.6 [.30]	9.9 [.39]	7/8	11.99 [.472]
2062-8-8S	C5515X8	3/4-16	3/4-16	31.8 [1.25]	36.8 [1.45]	9.9 [.39]	9.9 [.39]	7/8	11.99 [.472]
2062-8-10S	C5515X10X8	3/4-16	7/8-14	36.8 [1.45]	39.1 [1.54]	12.2 [.48]	9.9 [.39]	7/8	11.99 [.472]
2062-8-12S	C5515X12X8	3/4-16	1 1/16-12	42.2 [1.66]	41.1 [1.62]	15.5 [.61]	9.9 [.39]	7/8	11.99 [.472]
2062-10-6S	C5515X6X10	7/8-14	9/16-18	31 [1.22]	43.2 [1.70]	7.6 [.30]	12.2 [.48]	1.00	13.79 [.543]
2062-10-8S	C5515X8X10	7/8-14	3/4-16	33.8 [1.33]	43.2 [1.70]	9.9 [.39]	12.2 [.48]	1.00	13.79 [.543]
2062-10-10S	C5515X10	7/8-14	7/8-14	36.8 [1.45]	43.2 [1.70]	12.2 [.48]	12.2 [.48]	1.00	13.79 [.543]
2062-10-12S	C5515X12X10	7/8-14	1 1/16-12	42.2 [1.66]	45.2 [1.78]	15.5 [.61]	12.2 [.48]	1.00	13.79 [.543]
2062-12-8S	C5515X8X12	1 1/16-12	3/4-16	36.1 [1.42]	49.3 [1.94]	9.9 [.39]	15.5 [.61]	1 1/4	16.15 [.636]
2062-12-10S	C5515X10X12	1 1/16-12	7/8-14	39.1 [1.54]	49.3 [1.94]	12.2 [.48]	15.5 [.61]	1 1/4	16.15 [.636]
2062-12-12S	C5515X12	1 1/16-12	1 1/16-12	42.2 [1.66]	49.3 [1.94]	15.5 [.61]	15.5 [.61]	1 1/4	16.15 [.636]
2062-12-16S	C5515X16X12	1 1/16-12	1 5/16-12	46 [1.81]	52.1 [2.05]	21.3 [.84]	15.5 [.61]	1 1/4	16.15 [.636]
2062-12-20S	C5515X20X12	1 1/16-12	1 5/8-12	52.3 [2.06]	57.2 [2.25]	27.4 [1.08]	15.5 [.61]	1 1/4	16.15 [.636]
2062-14-16S	C5515X16X14	1 3/16-12	1 5/16-12	46 [1.81]	52.1 [2.05]	21.3 [.84]	18.3 [.72]	1 3/8	16.15 [.636]
2062-16-8S	C5515X8X16	1 5/16-12	3/4-16	38.6 [1.52]	52.1 [2.05]	9.9 [.39]	21.3 [.84]	1 1/2	16.15 [.636]
2062-16-10S	C5515X10X16	1 5/16-12	7/8-14	41.7 [1.64]	52.1 [2.05]	12.2 [.48]	21.3 [.84]	1 1/2	16.15 [.636]
2062-16-12S	C5515X12X16	1 5/16-12	1 1/16-12	44.7 [1.76]	52.1 [2.05]	15.5 [.61]	21.3 [.84]	1 1/2	16.15 [.636]
2062-16-16S	C5515X16	1 5/16-12	1 5/16-12	46 [1.81]	52.1 [2.05]	21.3 [.84]	21.3 [.84]	1 1/2	16.15 [.636]
2062-16-20S	C5515X20X16	1 5/16-12	1 5/8-12	52.3 [2.06]	57.2 [2.25]	27.4 [1.08]	21.3 [.84]	1 1/2	16.15 [.636]
2062-20-16S	C5515X16X20	1 5/8-12	1 5/16-12	51.1 [2.01]	57.2 [2.25]	21.3 [.84]	27.4 [1.08]	1 7/8	16.15 [.636]
2062-20-20S	C5515X20	1 5/8-12	1 5/8-12	52.3 [2.06]	57.2 [2.25]	27.4 [1.08]	27.4 [1.08]	1 7/8	16.15 [.636]
2062-20-24S	C5515X24X20	1 5/8-12	1 7/8-12	59.2 [2.33]	60.7 [2.39]	33.3 [1.31]	27.4 [1.08]	1 7/8	16.15 [.636]
2062-24-20S	C5515X20X24	1 7/8-12	1 5/8-12	55.9 [2.20]	60.7 [2.39]	27.4 [1.08]	33.3 [1.31]	2 1/8	16.15 [.636]
2062-24-24S	C5515X24	1 7/8-12	1 7/8-12	59.2 [2.33]	60.7 [2.39]	33.3 [1.31]	33.3 [1.31]	2 1/8	16.15 [.636]

REVISIONS			
REV	DESCRIPTION	DATE	APPROVED
BT	REDRAWN & UPDATED TO DANFOSS FORMAT. 1) UPDATED WEATHERHEAD PART NUMBERS. 2) REMOVED "2062-3-3S" & "2062-14-14S" PARTS.	2009-12-25 AAP/ADN	0038327-ECO
BU	1) ADDED PARTS #2062-4-5S, #2062-5-4S & #2062-6-5S.	2016-01-29 KRC/VSP	0118470-ECO



2062-24-24S	C5515X24	206204-24-24S	210295-24S	222013-24S	22617-24
2062-24-20S	C5515X20X24	206204-24-20S	210295-24S	222013-24S	22617-24
2062-20-24S	C5515X24X20	206204-20-24S	210295-20S	222013-20S	22617-20
2062-20-20S	C5515X20	206204-20-20S	210295-20S	222013-20S	22617-20
2062-20-16S	C5515X16X20	206204-20-16S	210295-20S	222013-20S	22617-20
2062-16-20S	C5515X20X16	206204-16-20S	210295-16S	222013-16S	22617-16
2062-16-16S	C5515X16	206204-16-16S	210295-16S	222013-16S	22617-16
2062-16-12S	C5515X12X16	206204-16-12S	210295-16S	222013-16S	22617-16
2062-16-10S	C5515X10X16	206204-16-10S	210295-16S	222013-16S	22617-16
2062-16-8S	C5515X8X16	206204-16-8S	210295-16S	222013-16S	22617-16
2062-14-16S	C5515X16X14	206204-14-16S	210295-14S	222013-14S	22617-14
2062-12-20S	C5515X20X12	206204-12-20S	210295-12S	222013-12S	22617-12
2062-12-16S	C5515X16X12	206204-12-16S	210295-12S	222013-12S	22617-12
2062-12-12S	C5515X12	206204-12-12S	210295-12S	222013-12S	22617-12
2062-12-10S	C5515X10X12	206204-12-10S	210295-12S	222013-12S	22617-12
2062-12-8S	C5515X8X12	206204-12-8S	210295-12S	222013-12S	22617-12
2062-10-12S	C5515X12X10	206204-10-12S	210295-10S	222013-10S	22617-10
2062-10-10S	C5515X10	206204-10-10S	210295-10S	222013-10S	22617-10
2062-10-8S	C5515X8X10	206204-10-8S	210295-10S	222013-10S	22617-10
2062-10-6S	C5515X6X10	206204-10-6S	210295-10S	222013-10S	22617-10
2062-8-12S	C5515X12X8	206204-8-12S	210295-8S	222013-8S	22617-8
2062-8-10S	C5515X10X8	206204-8-10S	210295-8S	222013-8S	22617-8
2062-8-8S	C5515X8	206204-8-8S	210295-8S	222013-8S	22617-8
2062-8-6S	C5515X6X8	206204-8-6S	210295-8S	222013-8S	22617-8
2062-6-8S	C5515X8X6	206204-6-8S	210295-6S	222013-6S	22617-6
2062-6-6S	C5515X6	206204-6-6S	210295-6S	222013-6S	22617-6
2062-6-5S	C5515X5X6	206204-6-5S	210295-6S	222013-6S	22617-6
2062-6-4S	C5515X4X6	206204-6-4S	210295-6S	222013-6S	22617-6
2062-5-6S	C5515X6X5	206204-5-6S	210295-5S	222013-5S	22617-5
2062-5-5S	C5515X5	206204-5-5S	210295-5S	222013-5S	22617-5
2062-5-4S	C5515X4X5	206204-5-4S	210295-5S	222013-5S	22617-5
2062-4-5S	C5515X5X4	206204-4-5S	210295-4S	222013-4S	22617-4
2062-4-6S	C5515X6X4	206204-4-6S	210295-4S	222013-4S	22617-4
2062-4-4S	C5515X4	206204-4-4S	210295-4S	222013-4S	22617-4
2062-3-6S	C5515X6X3	206204-3-6S	210295-3S	222013-3S	22617-3
2062-3-5S	C5515X5X3	206204-3-5S	210295-3S	222013-3S	22617-3

ITEM NO.	MATERIAL	DRAWN A. PURANIK	CHECKED A. NAGARKATTI	APPROVED A. NAGARKATTI	RELEASE DATE 2009-12-25	SCALE NONE	DIST U	CAGE CODE 01276	SHEET 1 OF 2
1	STEEL	DRAMIN <b>Danfoss</b> FLUID CONVEYANCE DIVISION DRAWING TITLE ADAPTER SAE 37° FLARE - 90° STRAIGHT THREAD ELBOW - (SAE #070220) SIZE DRAWING NUMBER 2062-S REV BU THIRD ANGLE PROJECTION SCALE NONE DIST U CAGE CODE 01276 SHEET 1 OF 2							
2	STEEL								
3	STEEL								
4	NITRILE (BUNA-N)								

3. ITEM #1, #2 & #3 CAN BE REPLACED WITH 2062-1-X-XS PART NUMBER .

WASHER CLINCHED TO FITTING WITH 0.012 [.0005] MAXIMUM CLEARANCE TO AN INTERFERENCE FIT.

1. DIMENSIONS ARE IN MILLIMETERS [INCHES].

METRIC

THE REPRODUCTION, DISTRIBUTION AND UTILIZATION OF THIS DOCUMENT AS WELL AS THE COMMUNICATION OF ITS CONTENTS TO OTHERS WITHOUT EXPLICIT AUTHORIZATION IS PROHIBITED. OFFENDERS WILL BE HELD LIABLE FOR THE PAYMENT OF DAMAGES. ALL RIGHT RESERVED IN THE EVENT OF THE GRANT OF A PATENT, UTILITY MODEL OR DESIGN. (PER ISO 16016)