

PART NUMBER	WEATHERHEAD PART NUMBER	TH'D "T1"	TH'D "T2"	A REF	B REF	C REF (INCH)	D REF
2215-4-6S	-	9/16-18	7/16-20	31.8 [1.25]	14.2 [.56]	5/8	4.3 [.17]
2215-5-4S	-	7/16-20	1/2-20	31 [1.22]	14 [.55]	5/8	4.3 [.17]
2215-6-5S	-	1/2-20	9/16-18	30 [1.18]	14 [.55]	11/16	5.8 [.23]
2215-6-8S	-	3/4-16	9/16-18	32.8 [1.29]	16.8 [.66]	7/8	7.6 [.30]
2215-8-10S	-	7/8-14	3/4-16	38.4 [1.51]	19.3 [.76]	15/16	9.9 [.39]
2215-10-4S	C5015X10X4	7/16-20	7/8-14	35.6 [1.40]	14 [.55]	1	4.3 [.17]
2215-10-6S	C5015X10X6	9/16-18	7/8-14	35.8 [1.41]	14.2 [.56]	1	7.6 [.30]
2215-10-8S	C5015X10X8	3/4-16	7/8-14	38.9 [1.53]	16.8 [.66]	1	9.9 [.39]
2215-10-12S	-	1 1/16-12	7/8-14	44.2 [1.74]	21.8 [.86]	1 1/8	12.7 [.50]
2215-12-10S	C5015X12X10	7/8-14	1 1/16-12	43.9 [1.73]	19.3 [.76]	1 1/4	12.2 [.48]
2215-12-16S	-	1 5/16-12	1 1/16-12	50.8 [2.00]	23.1 [.91]	1 3/8	15.5 [.61]
2215-14-6S	C5015X14X6	9/16-18	1 3/16-12	40.4 [1.59]	14.2 [.56]	1 3/8	7.6 [.30]
2215-14-8S	C5015X14X8	3/4-16	1 3/16-12	42.9 [1.69]	16.8 [.66]	1 3/8	9.9 [.39]
2215-14-12S	C5015X14X12	1 1/16-12	1 3/16-12	45.7 [1.80]	21.8 [.86]	1 3/8	15.5 [.61]
2215-16-8S	C5015X16X8	3/4-16	1 5/16-12	42.4 [1.67]	16.8 [.66]	1 1/2	9.9 [.39]
2215-16-10S	C5015X16X10	7/8-14	1 5/16-12	45.2 [1.78]	19.3 [.76]	1 1/2	12.2 [.48]
2215-16-14S	C5015X16X14	1 3/16-12	1 5/16-12	47.2 [1.86]	22.6 [.89]	1 1/2	18.3 [.72]
2215-16-20S	-	1 5/8-12	1 5/16-12	58.4 [2.30]	24.4 [.96]	1 11/16	23.1 [.91]
2215-20-16S	C5015X20X16	1 5/16-12	1 5/8-12	50.8 [2.00]	23.1 [.91]	2	21.5 [.84]
2215-24-16S	-	1 5/16-12	1 7/8-12	58.7 [2.31]	23.1 [.91]	2 1/4	21.3 [.84]
2215-24-20S	C5015X24X20	1 5/8-12	1 7/8-12	58.4 [2.30]	24.4 [.96]	2 1/4	27.4 [1.08]
2215-24-32S	C5015X24X32	2 1/2-12	1 7/8-12	68 [2.68]	33.9 [1.33]	2 5/8	33.3 [1.31]
2215-32-24S	C5015X32X24	1 7/8-12	2 1/2-12	64 [2.52]	27.4 [1.08]	2 7/8	33.3 [1.31]

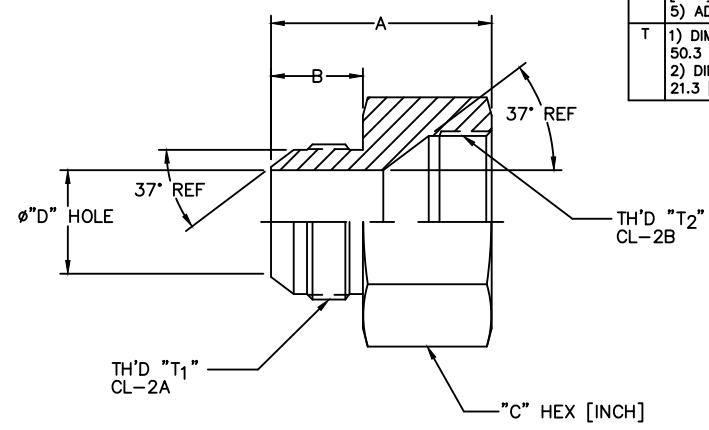
①

②

③

④ ① ②

④



REVISIONS			
REV	DESCRIPTION	DATE	APPROVED
P	REDRAWN. 1) ADDED WEATHERHEAD PART NUMBERS. 2) ADDED 2215-10-4, 2215-10-6S, 2215-14-6S, 2215-14-8S, 2215-14-12S, 2215-16-8S, 2215-16-10S, 2215-16-14S & 2215-32-24S PARTS.	2013-01-28 SJM	0075763-ECO
R	1) DIM 50.3 [1.98] WAS 53.6 [2.11]	2013-07-15 HLV/AGV	0087184-ECO
S	1) DIM 35.6 [1.40] WAS 37.3 [1.47] 2) DIM 42.4 [1.67] WAS 43.7 [1.72] 3) DIM 45.2 [1.78] WAS 45.5 [1.79] 4) DIM 64 [2.52] WAS 66.3 [2.61] 5) ADDED PART #2215-24-32S.	2013-10-04 VSP	0089423-ECO
T	1) DIM 50.8 [2.00] WAS 50.3 [1.98]. 2) DIM 21.5 [.84] WAS 21.3 [.84].	2017-12-08 PAI/SBD	CO-0156356

METRIC

② ③ ①

- 3. FOR OTHER SIZES SEE 221501-S.
- 2. MATERIAL: STEEL.
- 1. DIMENSIONS ARE IN MILLIMETERS [INCHES].

DRAWN S. MANE		FLUID CONVEYANCE DIVISION	
CHECKED S. MANE		DRAWING TITLE	
APPROVED Y. KULKARNI		ADAPTER	
RELEASE DATE 2013-01-28		SAE 37° MALE FLARE (SAE J514) TO SAE 37° FEMALE FLARE	
0075763-ECO		SIZE A2	REV T
THIRD ANGLE PROJECTION		DRAWING NUMBER 2215-S	SHEET 1
SCALE NONE	DIST U	CAGE CODE 01276	SHEET 1
THE REPRODUCTION, DISTRIBUTION AND UTILIZATION OF THIS DOCUMENT AS WELL AS THE COMMUNICATION OF ITS CONTENTS TO OTHERS WITHOUT EXPLICIT AUTHORIZATION IS PROHIBITED. OFFENDERS WILL BE HELD LIABLE FOR THE PAYMENT OF DAMAGES. ALL RIGHT RESERVED IN THE EVENT OF THE GRANT OF A PATENT, UTILITY MODEL OR DESIGN. (PER ISO 16016)			