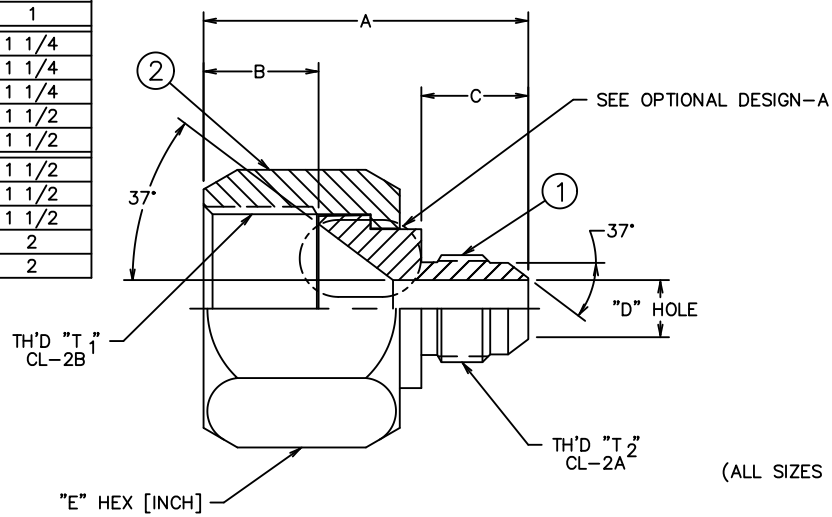


AEROQUIP PART NUMBER	TH'D "T" ₁	TH'D "T" ₂	A REF	B REF	C REF	D REF	E REF
221501-6-4S	9/16-18	7/16-20	35.6 [1.40]	10.9 [.43]	14 [.55]	4.3 [.17]	1 1/16
221501-8-4S	3/4-16	7/16-20	38.1 [1.50]	12.7 [.50]	14 [.55]	4.3 [.17]	7/8
221501-8-6S	3/4-16	9/16-18	38.1 [1.50]	12.7 [.50]	14.2 [.56]	7.6 [.30]	7/8
221501-10-4S	7/8-14	7/16-20	38.9 [1.53]	13 [.51]	14 [.55]	4.3 [.17]	1
221501-10-6S	7/8-14	9/16-18	41.1 [1.62]	15 [.59]	14.2 [.56]	7.6 [.30]	1
221501-12-4S	1 1/16-12	7/16-20	41.9 [1.65]	14.5 [.57]	14 [.55]	4.3 [.17]	1 1/4
221501-12-6S	1 1/16-12	9/16-18	42.9 [1.69]	15.2 [.60]	14.2 [.56]	7.6 [.30]	1 1/4
221501-12-8S	1 1/16-12	3/4-16	45.5 [1.79]	15.2 [.60]	16.8 [.66]	9.9 [.39]	1 1/4
221501-16-4S	1 5/16-12	7/16-20	46.7 [1.84]	17.3 [.68]	14 [.55]	4.3 [.17]	1 1/2
221501-16-6S	1 5/16-12	9/16-18	46.7 [1.84]	17.3 [.68]	14.2 [.56]	7.6 [.30]	1 1/2
221501-16-8S	1 5/16-12	3/4-16	49.3 [1.94]	17.3 [.68]	16.8 [.66]	9.9 [.39]	1 1/2
221501-16-10S	1 5/16-12	7/8-14	51.8 [2.04]	17.3 [.68]	19.3 [.76]	12.2 [.48]	1 1/2
221501-16-12S	1 5/16-12	1 1/16-12	54.6 [2.15]	17.3 [.68]	21.8 [.86]	15.5 [.61]	1 1/2
221501-20-12S	1 5/8-12	1 1/16-12	53.3 [2.10]	16.3 [.64]	21.8 [.86]	15.5 [.61]	2
221501-20-16S	1 5/8-12	1 5/16-12	56.6 [2.23]	18 [.71]	23.1 [.91]	21.3 [.84]	2

REVISIONS			
REV	DESCRIPTION	DATE	APPROVED
H	REDRAWN, UPDATED TO DANFOSS FORMAT & DIMENSION STYLE. (1) ADDED PART NUMBERS 221501-10-4S, 221501-12-4S, & 221501-20-12S.	2011-06-27 VMS/SRH	0053876-ECO



OPTIONAL DESIGN-A
(ALL SIZES EXCEPT -6-4, -8-6, -12-8 & -16-4)

221501-20-16S	FF1066-2016S	1290-20S		
221501-20-12S	FF1066-2012S	1290-20S		
221501-16-12S	FF1066-1612S	1290-16S		
221501-16-10S	FF1066-1610S	1290-16S		
221501-16-8S	FF1066-1608S	1290-16S		
221501-16-6S	FF1066-1606S	1290-16S		
221501-16-4S	FF1066-1604S	1290-16S		
221501-12-8S	FF1066-1208S	1290-12S		
221501-12-6S	FF1066-1206S	1290-12S		
221501-12-4S	FF1066-1204S	1290-12S		
221501-10-6S	FF1066-1006S	1290-10S		
221501-10-4S	FF1066-1004S	1290-10S		
221501-8-6S	FF1066-0806S	1290-8S		
221501-8-4S	FF1066-0804S	1290-8S		
221501-6-4S	FF1066-0604S	1290-6S		

AEROQUIP PART NUMBER	① ADAPTER	② NUT		
----------------------	-----------	-------	--	--

LIST OF MATERIALS

ITEM NO.	MATERIAL	DRAWN V. SURWASE	CHECKED S. HASABE	APPROVED M. TALWALKAR	RELEASE DATE 2011-06-27	0053876-ECO
1	STEEL					
2	STEEL					

DRAWING TITLE		FLUID CONVEYANCE DIVISION	
ADAPTER			
SAE 37° FLARE REDUCING ADAPTER			
(SAE #070123)			
SIZE	DRAWING NUMBER	REV	
A2	221501-S	H	
THIRD ANGLE PROJECTION	SCALE	DIST	CAGE CODE
☉	NONE	U	01276
			SHEET
			1

THE REPRODUCTION, DISTRIBUTION AND UTILIZATION OF THIS DOCUMENT AS WELL AS THE COMMUNICATION OF ITS CONTENTS TO OTHERS WITHOUT EXPLICIT AUTHORIZATION IS PROHIBITED. OFFENDERS WILL BE HELD LIABLE FOR THE PAYMENT OF DAMAGES. ALL RIGHT RESERVED IN THE EVENT OF THE GRANT OF A PATENT, UTILITY MODEL OR DESIGN. (PER ISO 16016)

METRIC

2. FOR OTHER SIZES SEE 2215-S.

1. DIMENSIONS ARE IN MILLIMETERS [INCHES].

REV. H
SHEET 1
221501-S
DWG. NO.