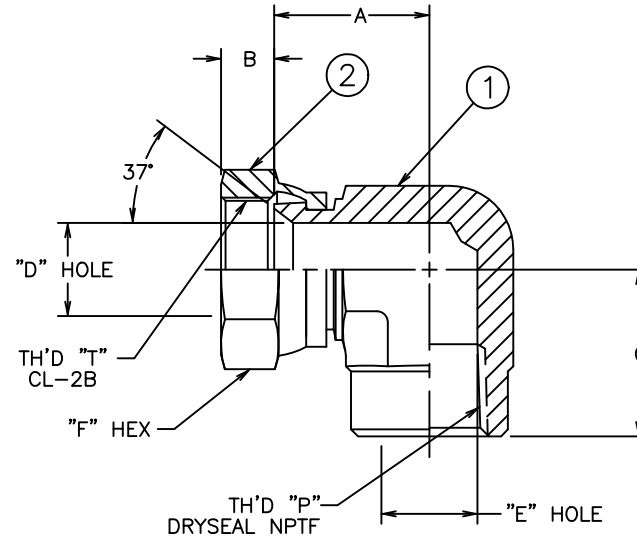


PART NUMBER	TH'D "P"	TH'D "T"	A REF	B REF	C REF	D REF	E REF	F REF
2244-6-6S	3/8-18	9/16-18	.92	.40	1.02	.30	.53	.69
2244-8-6S	1/2-14	9/16-18	1.03	.40	1.23	.30	.65	.69
2244-8-8S	1/2-14	3/4-16	1.08	.44	1.23	.39	.65	.88
2244-8-10S	1/2-14	7/8-14	1.12	.52	1.23	.48	.65	1.00

REVISIONS			
REV.	DESCRIPTION	DATE	APPROVED
A	(1) ADDED 2244-8-6S, -8-8S, & -8-10S; (WAS BRAZE DESIGN) (2) REMOVED SHEET 2	3-1-94 R.D.G.	EN-F14668 DAI-17511

Ⓐ  
1



REV. A  
SH. A  
2  
2244-S  
DWG. NO.

PART NUMBER	1	ADAPTER BODY	2	NUT
2244-8-10S	FF2725-0810S	210204-10S		
2244-8-8S	FF2725-0808S	210204-8S		
2244-8-6S	FF2725-0806S	210204-6S		
2244-6-6S	FF2725-0606S	210204-6S		

LIST OF MATERIALS

ITEM NO.	MATERIAL	DRAWN	DATE	FLUID CONVEYANCE DIVISION	
1	STEEL	R.D.GARRETT	8-3-93	<i>Donnell</i>	
2	STEEL	R.D.GARRETT	8-3-93		
		APPROVED	DATE	DRAWING TITLE	
		R.D.GARRETT	8-3-93	ADAPTER	
		RELEASED	DATE	FEMALE PIPE - 90° SWIVEL ELBOW	
		EN-F14017	8-3-93		
		PROJECT NO.	APC NO.	SIZE	(CAGE) CODE NO.
		DAI-24851		C	01276
		DESIGN APPROVED		DRAWING NUMBER	2244-S
					Ⓐ 2
		APPROVED		U	SHEET

THE REPRODUCTION, DISTRIBUTION AND UTILIZATION OF THIS DOCUMENT AS WELL AS THE COMMUNICATION OF ITS CONTENTS TO OTHER WITHOUT EXPLICIT AUTHORIZATION IS PROHIBITED. OFFENDERS WILL BE HELD LIABLE FOR THE PAYMENT OF DAMAGES. ALL RIGHT RESERVED IN THE EVENT OF THE GRANT OF A PATENT, UTILITY MODEL OR DESIGN. (PER ISO 16016)

CONVERTED DRAWING CADAM to AutoCAD 8/98