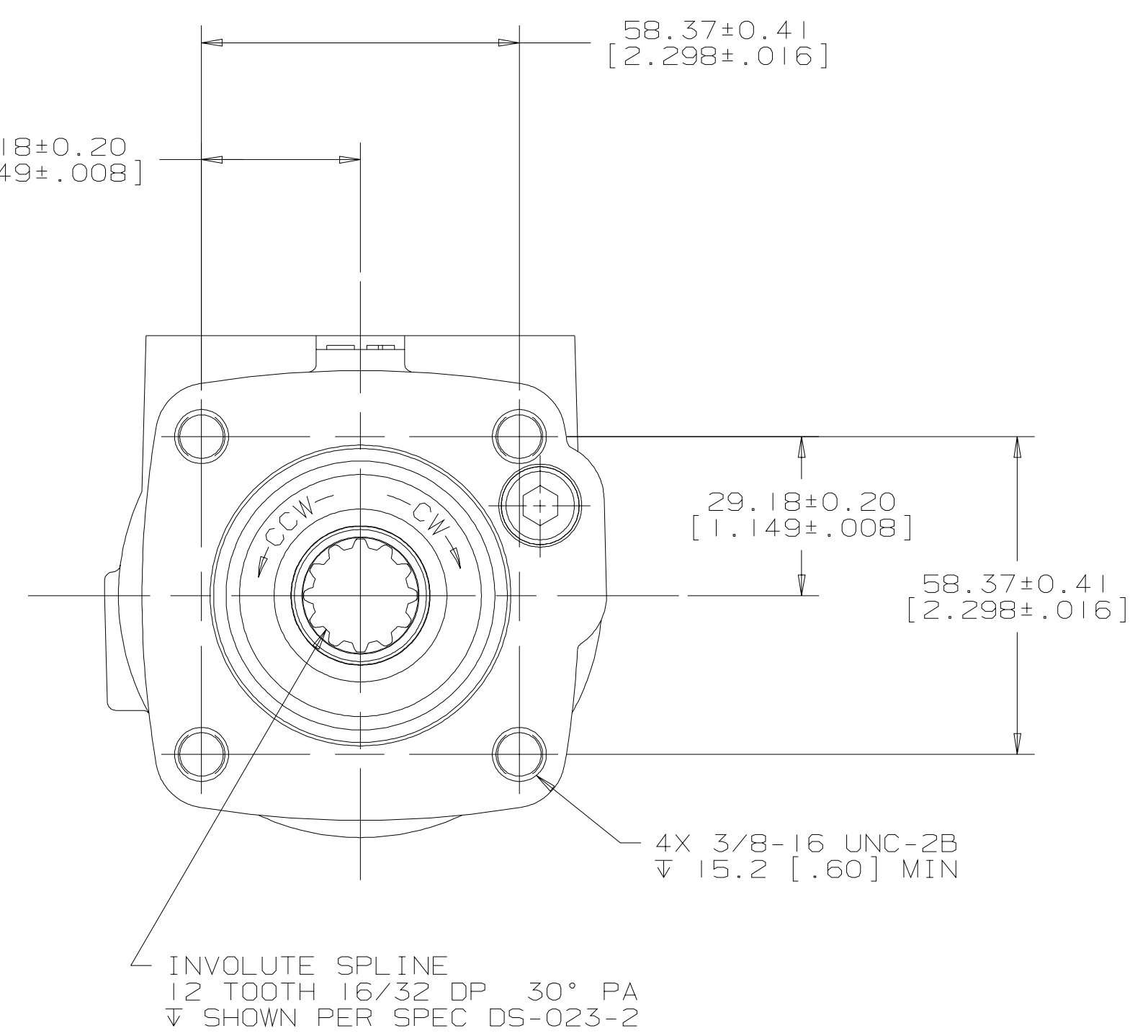
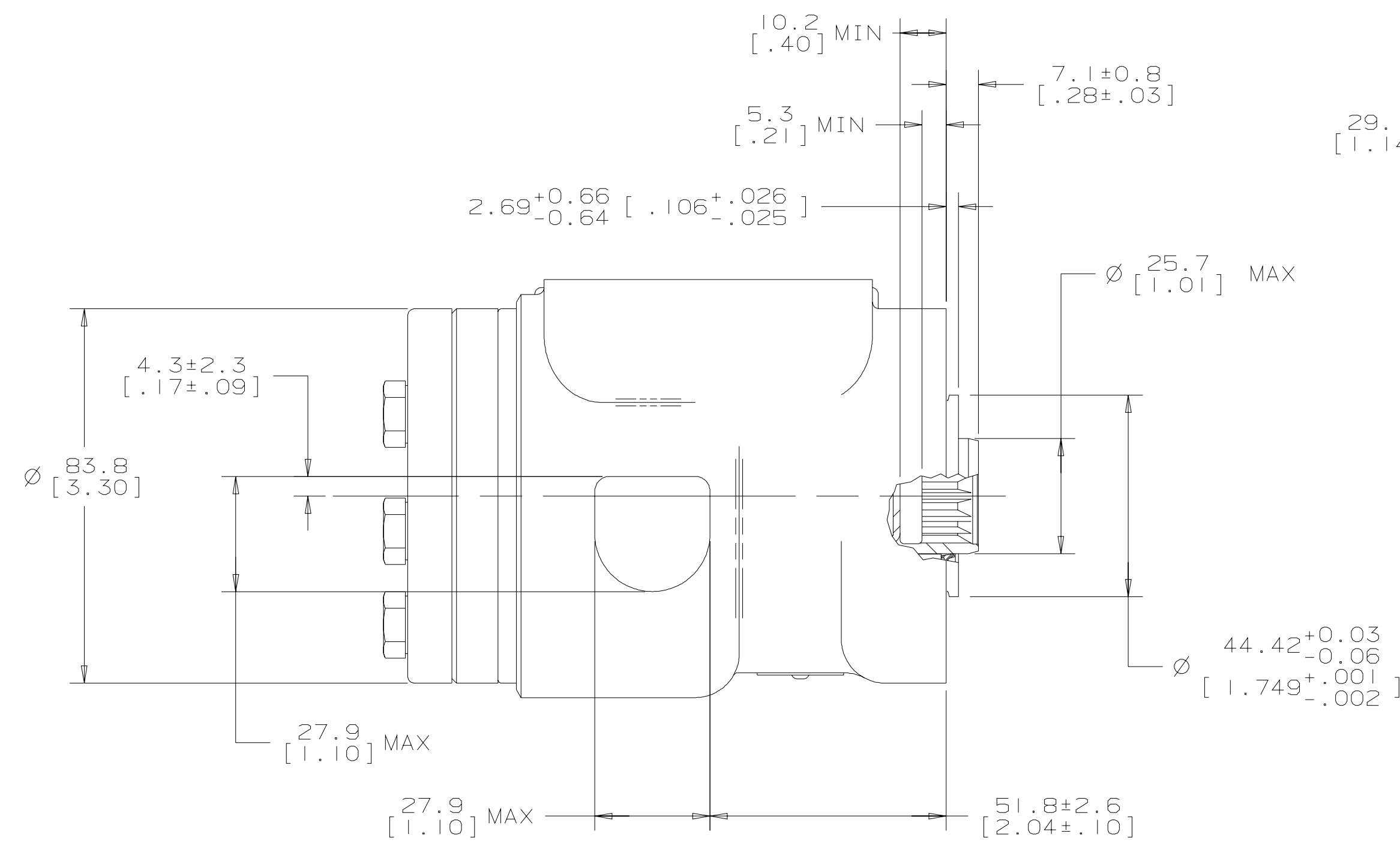
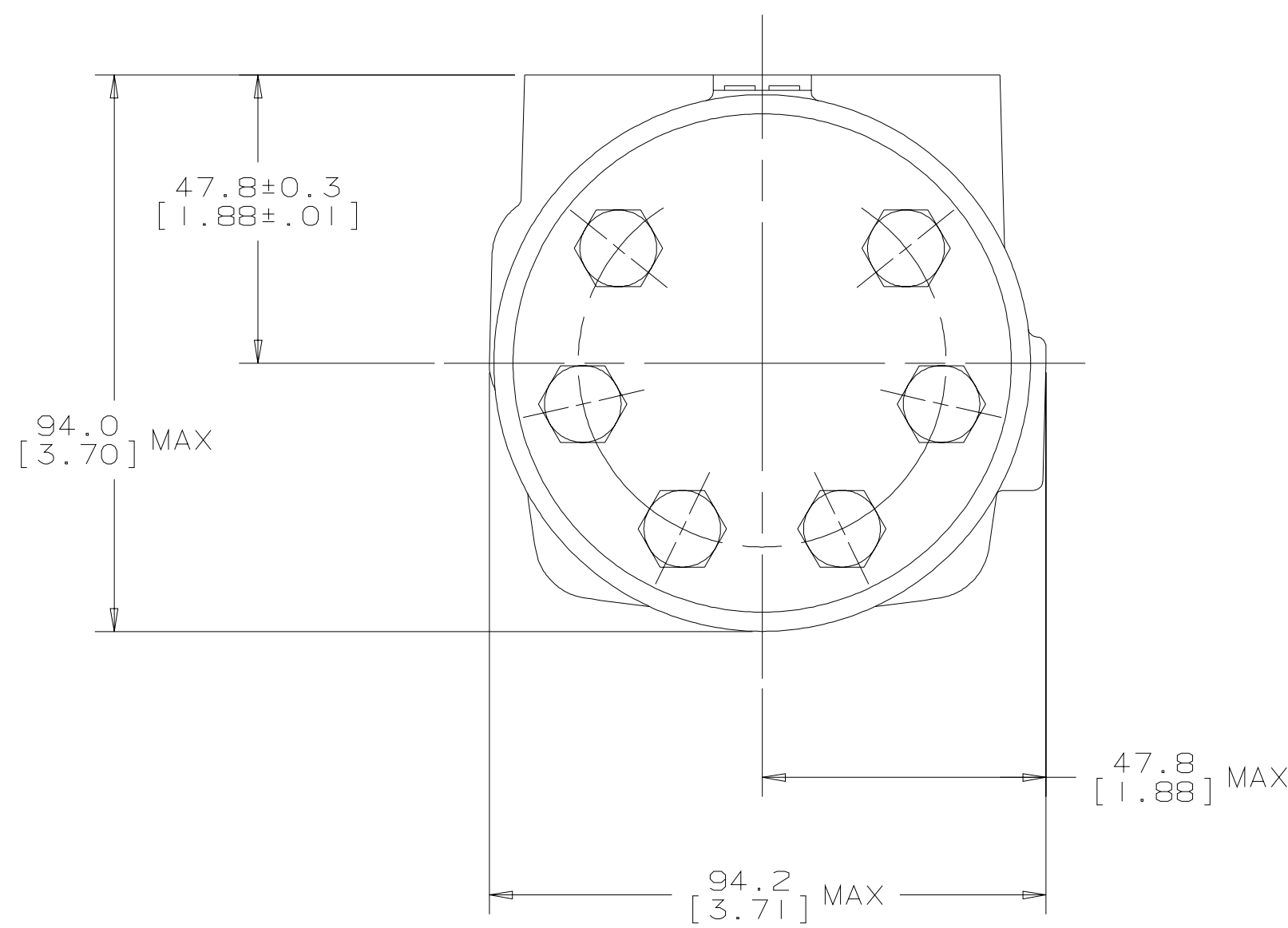
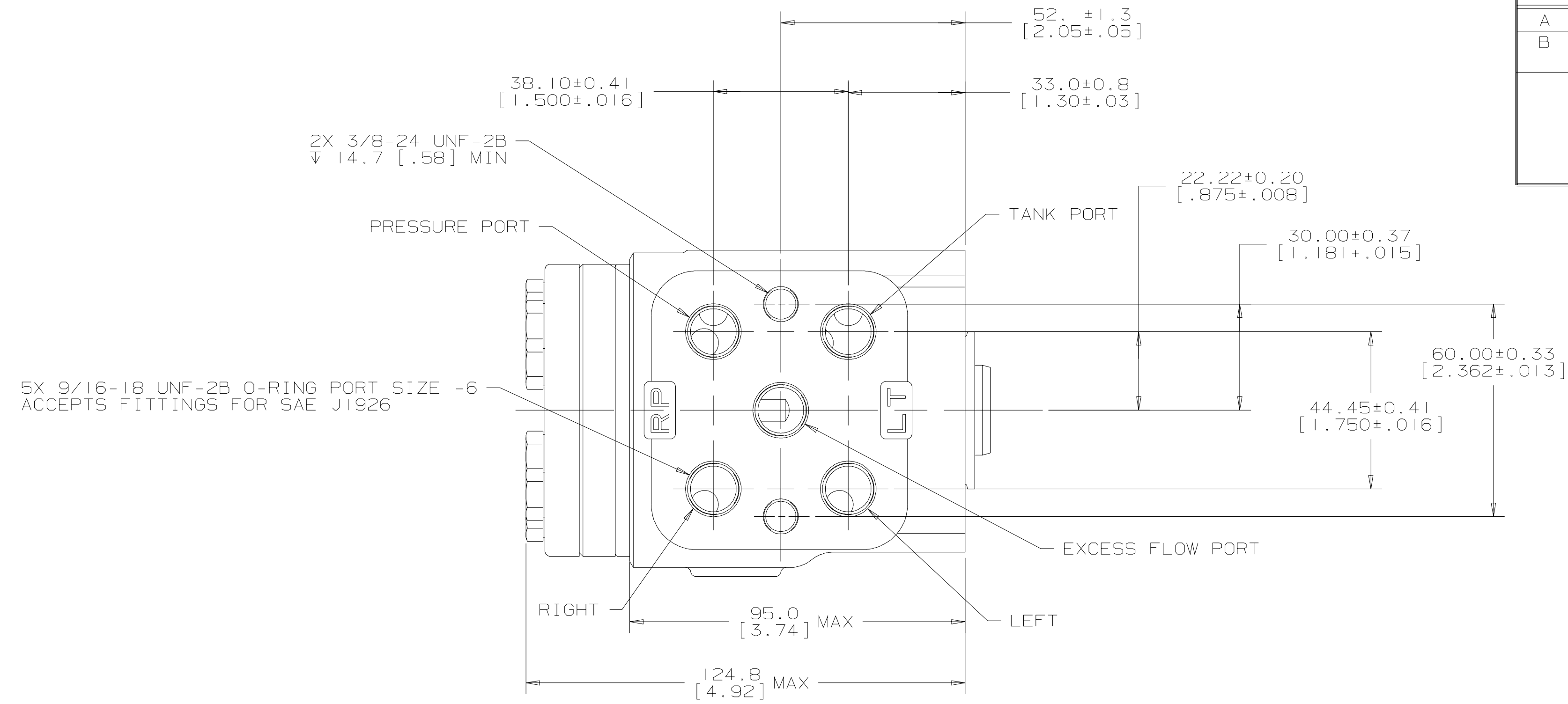


REV	DESCRIPTION	BY	DATE	ECN
A	ENGINEERING RELEASE	LMD	6-1-93	M8251
B	-1) PICTORIAL CHANGE TO CAPSCREWS -2) 124.8 [4.92] WAS 127.6 [5.03]	BRO	6-29-98	30649



MRS G

UNLESS OTHERWISE SPECIFIED ALL DIMENSIONS ARE IN		DRAWING BASED ON ANSI Y14.5M-1982	
INCHES <input type="checkbox"/>	MILLIMETERS <input checked="" type="checkbox"/>	THE REPRODUCTION, DISTRIBUTION, AND UTILIZATION OF THIS DOCUMENT, AS WELL AS THE COMMUNICATION OF ITS CONTENTS TO OTHERS WITHOUT EXPLICIT AUTHORIZATION IS PROHIBITED. OFFENDERS WILL BE HELD LIABLE FOR THE PAYMENT OF DAMAGES. ALL RIGHTS RESERVED IN THE EVENT OF THE GRANT OF A PATENT, UTILITY MODEL, OR DESIGN. (PER ISO 18016)	
TOLERANCES			
.X ±	.XX ±		
.XXX ±	±	DRWN BY/DATE LMD 6-23-93	MATERIAL/HEAT TREAT
∠ ±		CHECKED BY/DATE KO 6-29-93	
UNSPECIFIED RADI ARE		ENGR BY/DATE KRC 6-29-93	TITLE STEERING CONTROL UNIT INSTALLATION
UNSPECIFIED DRAFT ANGLES ARE		METALLURGY BY/DATE	NUMBER 241-5031-002
DRAWING FORMAT CAD <input checked="" type="checkbox"/> MANUAL <input type="checkbox"/>	THIRD ANGLE PROJECTION	DO NOT SCALE	SCALE 1/1 SHEET 1 OF 1