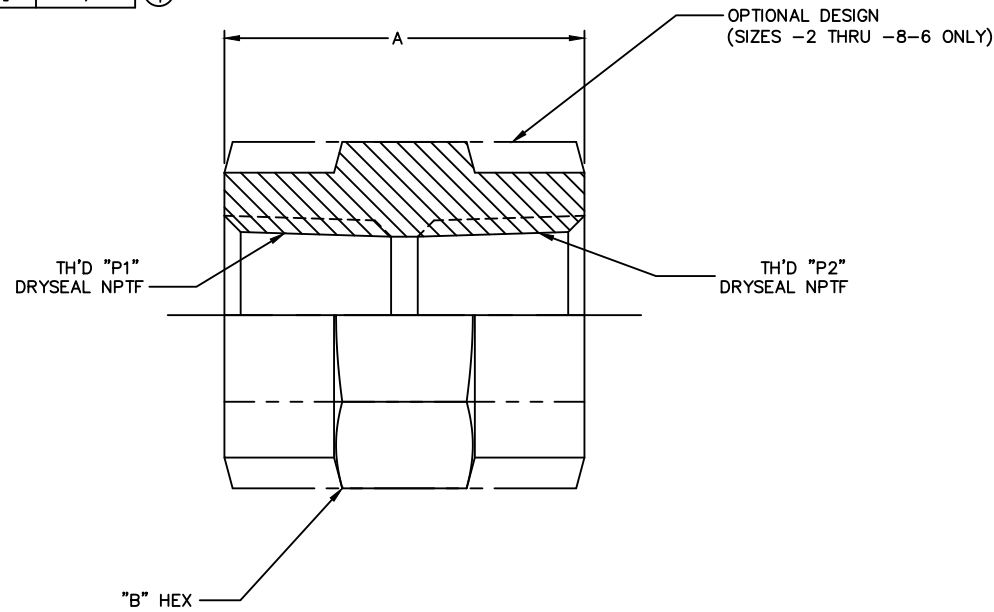


PART NUMBER	WEATHERHEAD CATALOG NUMBER	TH'D "P1"	TH'D "P2"	A REF	B REF (INCH)
259-2096-2	3321X2	1/8-27	1/8-27	19 [.75]	5/8
259-2096-4	3321X4	1/4-18	1/4-18	28.7 [1.13]	3/4
259-2096-4-2	3321X4X2	1/4-18	1/8-27	28.7 [1.13]	3/4
259-2096-6	3321X6	3/8-18	3/8-18	28.7 [1.13]	7/8
259-2096-6-4	3321X6X4	3/8-18	1/4-18	28.7 [1.13]	7/8
259-2096-8	3321X8	1/2-14	1/2-14	38.1 [1.50]	1 1/8
259-2096-8-4	3321X8X4	1/2-14	1/4-18	38.1 [1.50]	1 1/8
259-2096-8-6	3321X8X6	1/2-14	3/8-18	38.1 [1.50]	1 1/8
259-2096-12	3321X12	3/4-14	3/4-14	38.9 [1.53]	1 3/8
259-2096-16	3321X16	1-11 1/2	1-11 1/2	48 [1.89]	1 5/8
259-2096-20	3321X20	1 1/4-11 1/2	1 1/4-11 1/2	49 [1.93]	2
259-2096-24	3321X24	1 1/2-11 1/2	1 1/2-11 1/2	49 [1.93]	2 3/8

- ⓐ
- ⓑ
- ⓒ
- ⓓ
- ⓔ
- ⓕ
- ⓖ

REVISIONS			
REV	DESCRIPTION	DATE	APPROVED
E	REDRAWN & REACTIVATED - LAST REV "D" 1) ADDED PARTS # 259-2096-4, 259-2096-4-2, 259-2096-8, 259-2096-8-4, 259-2096-8-6 & 259-2096-12,	2010-11-15 SJM/YPK	0046930-ECO DP-1299
F	1) ADDED PART # 259-2096-6-4	2012-04-04 MBK/PSW	0068306-ECO
G	1) ADDED PART # 259-2096-16 AND 259-2096-24 2) DIMENSION WAS 24.4 [.96] 3) DIMENSION WAS 32.5 [1.28] 4) DIMENSION WAS 35.1 [1.38]	2013-10-30 MBK/DHS	0090663-ECO



ⓔ

METRIC

- 2. MATERIAL: AISI 316 STAINLESS STEEL.
- 1. DIMENSIONS ARE IN MILLIMETERS [INCHES].

DRAWN S. MANE	FLUID CONVEYANCE DIVISION		
CHECKED Y. KULKARNI	DRAWING TITLE		
APPROVED J. SNYDER	ADAPTER		
RELEASE DATE 2010-11-15	HEXAGON PIPE COUPLING		
0046930-ECO	(SAE #140138)		
DP-1299	SIZE A2	DRAWING NUMBER 259-2096	REV G
THIRD ANGLE PROJECTION	SCALE NONE	DIST U	CAGE CODE 01276
		SHEET 1	

THE REPRODUCTION, DISTRIBUTION AND UTILIZATION OF THIS DOCUMENT AS WELL AS THE COMMUNICATION OF ITS CONTENTS TO OTHERS WITHOUT EXPLICIT AUTHORIZATION IS PROHIBITED. OFFENDERS WILL BE HELD LIABLE FOR THE PAYMENT OF DAMAGES. ALL RIGHT RESERVED IN THE EVENT OF THE GRANT OF A PATENT, UTILITY MODEL OR DESIGN. (PER ISO 16016)

DWG. NO. 259-2096 SH. 1 REV. G